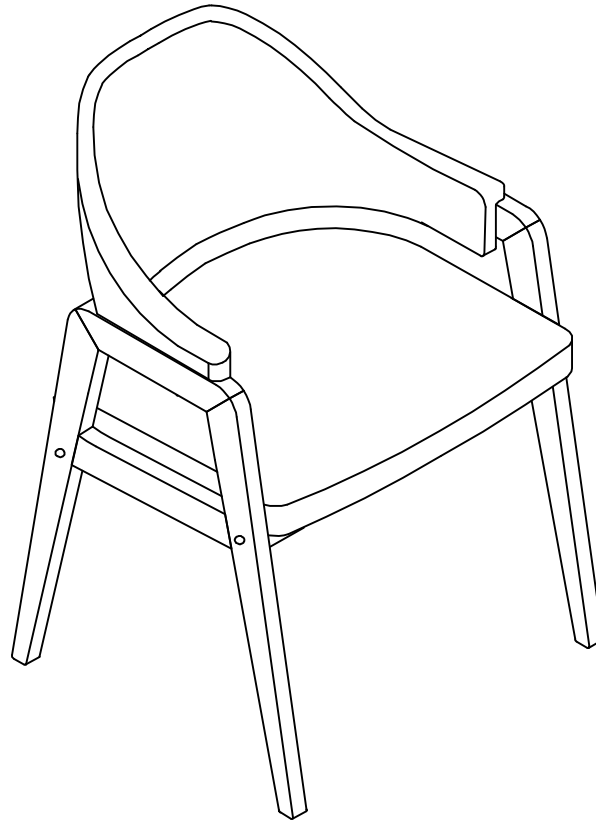


Ingleside Open Back Upholstered Wood Frame Dining Chair

style # 21C2OBDC
21C2OBDC1
21C2OBDC2

dpci # 249-02-0136
249-02-0288
249-02-0080



> > assembly instructions



Congratulations on your latest Target purchase.

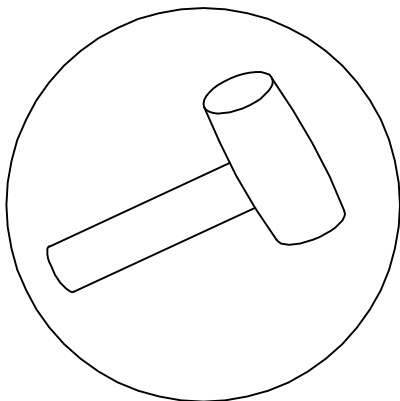
Now what? Don't start sweating over this box of parts. This will be easy. We did the hard work for you. All you need to do is follow our simple instructions and you'll be on your way to transforming your room in no time. Good luck ---- though we're confident you won't need it.

before you begin

1. Check for damaged or missing parts. Call 1-855-MY TGT HOME (1-855-698-4846) to order missing supplies.
2. Use the carton as a working surface to prevent product damage during assembly.
3. Gather all tools prior to assembly.

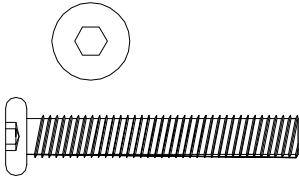
Tools needed (Not included)

Hammer

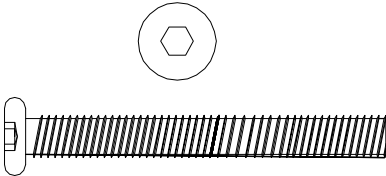


Hardware

(H1) short bolt x 4
Ø1/4" x 1-3/4"



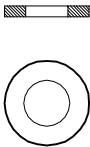
(H2) long bolt x 4
Ø1/4" x 2"



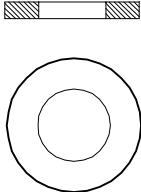
(H3) Lock Washer 1/4 " x 8



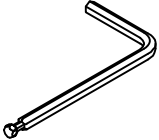
(H4) Small Flat Washer 1/4" (12mm) x 4



(H5) Big Flat Washer 1/4" (16mm) x 4



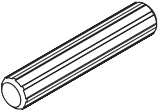
(H6) Hex wrench x 1



(H7) Wood Plug x 4

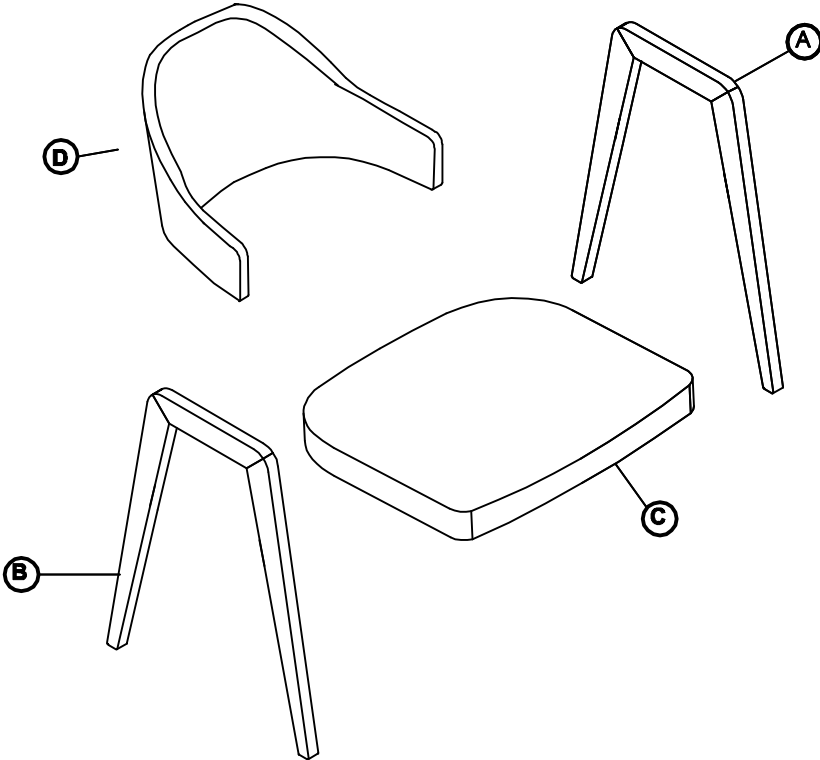


(H8) Wood dowel x 8

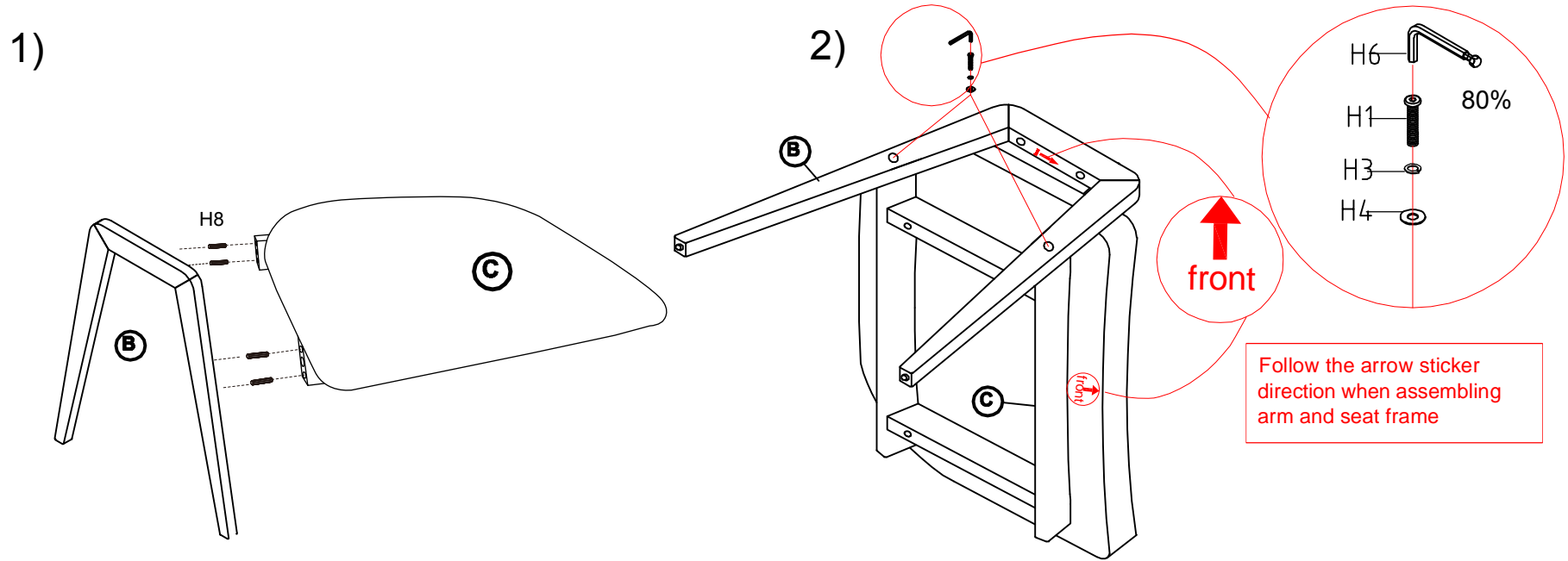


exploded diagram

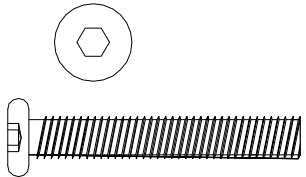
ITEM	DESCRIPTION	QTY
A	Right arm	1
B	Left arm	1
C	Seat	1
D	Chair back	1



step 1. Attach left arm to seat frame.



(H1) short bolt x 2
Ø1/4" x 1-3/4"



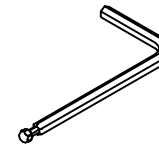
(H3) Lock Washer 1/4 " x 2



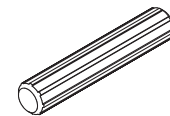
(H4) Small Flat Washer 1/4" (12mm) x 2



(H6) Hex wrench x 1



(H8) Wood dowel x 4

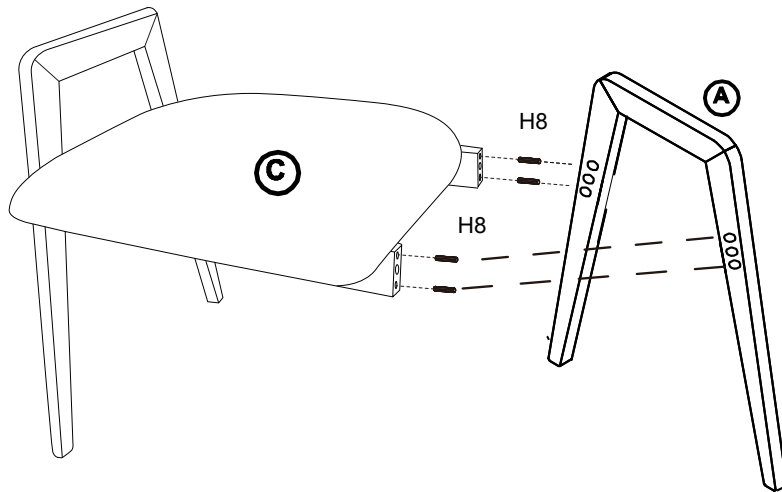


Assemble the chair on soft, scratch-free surface such as a carpet or a rug.

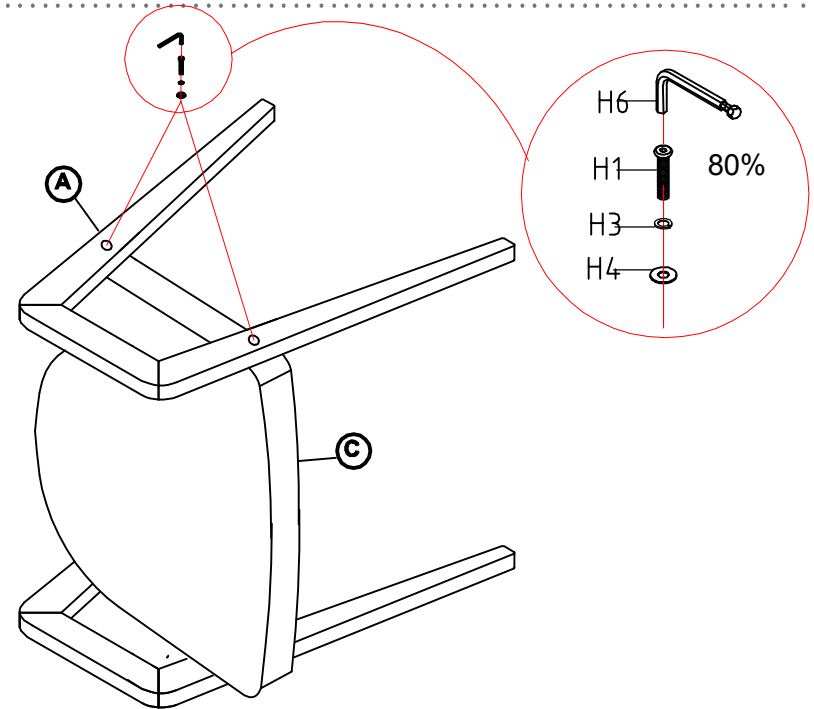
- 1). Insert wood dowels (H8) to holes on left end of wood bars under seat (C), connect left arm (B) to seat frame (C) with wood dowels (H8).
- 2). Loosely attach left arm (B) to seat frame (C) by using short bolt (H1), lock washers (H3) and small flat washers (H4) with Hex wrench (H6).

step 2. Attach right arm to seat frame.

1)



2)



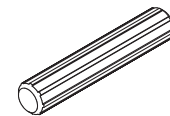
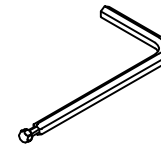
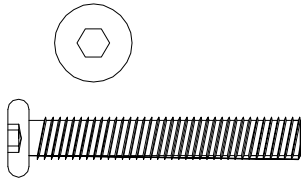
(H1) short bolt x 2
Ø1/4" x 1-3/4"

(H3) Lock Washer 1/4" x 2

(H4) Small Flat Washer
1/4" (12mm) x 2

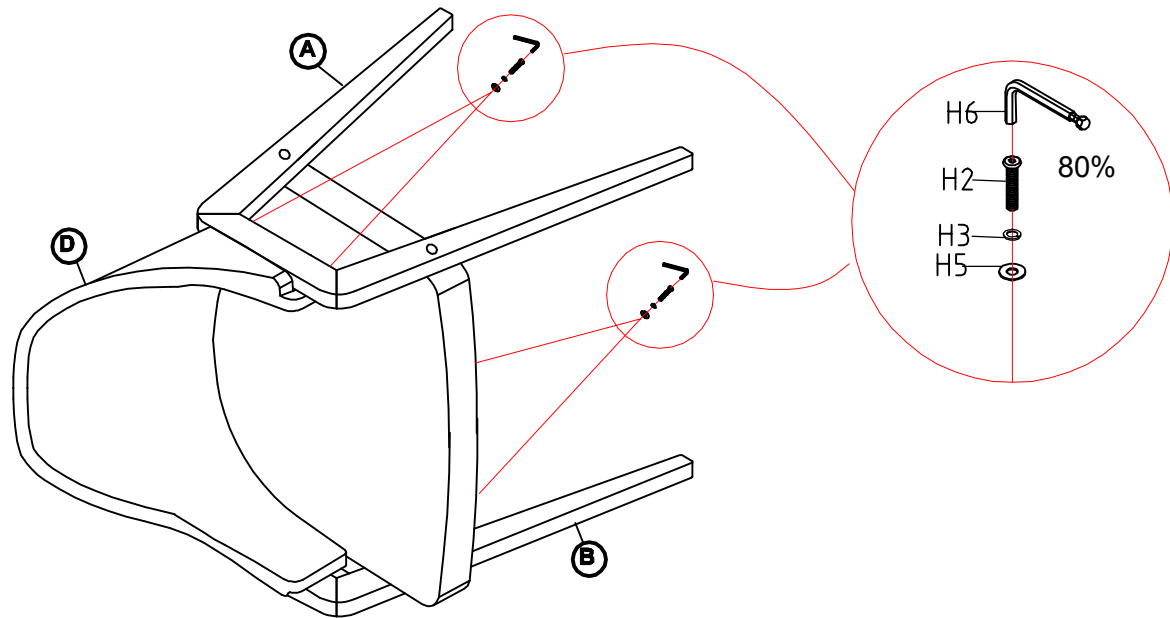
(H6) Hex wrench x 1

(H8) Wood dowel x 4

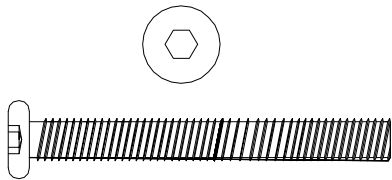


- 1). Insert wood dowels (H8) to holes on right end of wood bars under seat (C), connect right arm (A) to seat frame (C) with wood dowels (H8).
- 2). Loosely attach right arm (A) to seat frame (C) by using short bolt (H1), lock washers (H3) and small flat washers (H4) with Hex wrench (H6).

step 3. Attach back cushion to arms.



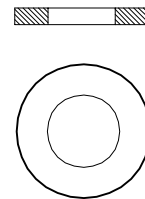
(H2) long bolt x 4
Ø1/4" x 2"



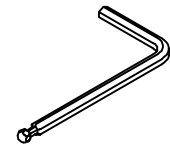
(H3) Lock Washer 1/4 " x 4



(H5) Big Flat Washer
1/4 " (16mm) x 4

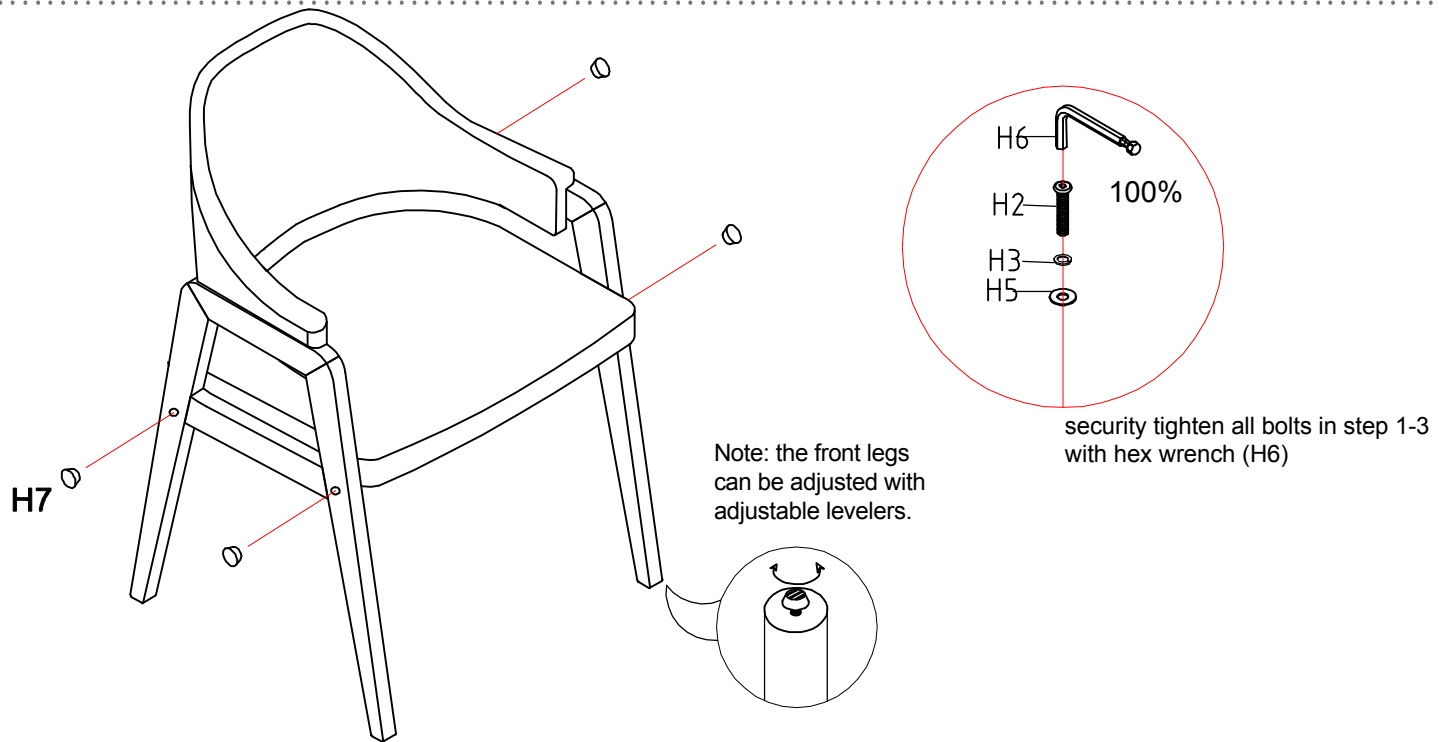


(H6) Hex wrench x 1



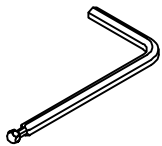
Loosely attach chair back (D) to right arm(A) and left arm(B) by using long bolt (H2), lock washers(H3) and big flat washers(H5) with hex wrench(H6).

step 4. Insert the wood plug to the bolts holes



(H6) Hex wrench x 1

(H7) Wood Plug x 4



Turn the assembled chair to upright position, security tighten all bolts in step 1-3 with hex wrench (H6), but do not over tighten the bolts. Insert wood plugs (H7) into the bolt holes on arms, tap with rubber hammer or mallet until the wood plug edge are even with wood surface. Adjust the levelers on front legs to make sure the chair is level. Assembly is complete.

Additional note about safety: Bolts may loosen during normal everyday use. They should be periodically inspected and re-tightened to prevent damage or injury. Always check to be sure that all hardware is kept tightened.