

## CLARK QUEEN / E.KING / CAL KING BED

Assembly instructions:

### PART LISTS

NO.	DESCRIPTION	IMAGE	QTY
P1	HR PANEL		1PC
P2	LEG FRAME		1PC
P3	LONG SUPPORT BAR		2PCS
P4	SHORT SUPPORT BAR		1PC
P5	FB PANEL		1PC
P6	LEGS		2PCS
P7	SIDE RAILS		1SET
P8	CENTER SUPPORT SLAT		1PC
P9	SLATS		1SET
P10	CENTER LEG		3PCS

### HARDWARE LISTS

NO.	DESCRIPTION	IMAGE	QTY
H1	BOLT 5/16" X35 mm		16PCS
H2	SPRING WASHER 1/8"		36PCS
H3	FLAT WASHER 1/2" x 19		36PCS
H4	WOOD DOWEL 10 x 30		3PCS
H5	ALLEN KEY 4mm		1PC
H6	BOLT 5/16" X20 mm		8PCS
H7	BOLT 1/4" X25 mm		3PCS
H8	SCREW 4 x 25mm		7PCS
H9	BOLT 1/4" X 15 mm		12PCS
H10	METAL PLATE		6PCS
H11	PHILIP SCREW		NOT PROVIDE

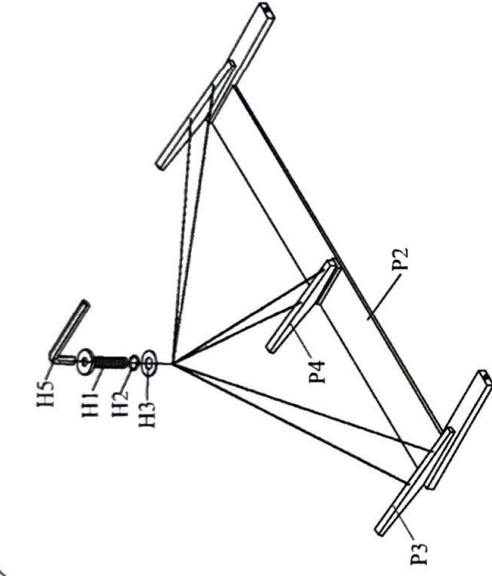
NOTE: PO # is located underneath/ at the back side of each item. Please be prepared to provide this # should any claim be necessary.

CAUTION: Item is heavy. Assembly should be performed by two people.

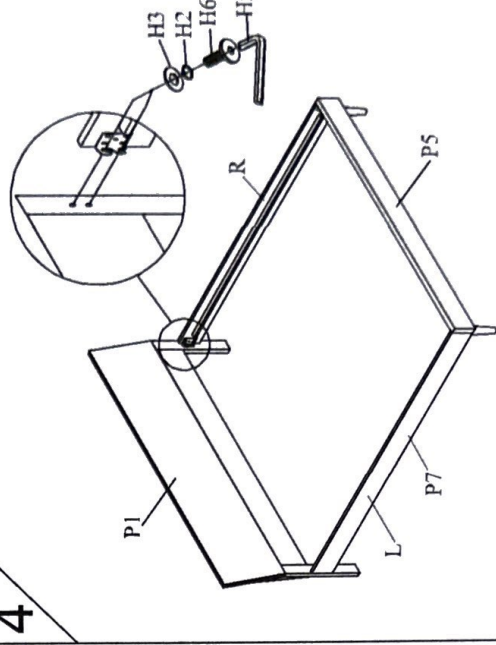
### DISCLAIMER:

When properly assembled, this item is safe for intended use. Seller is not liable for any damages resulting from item being improperly assembled after purchase.

2

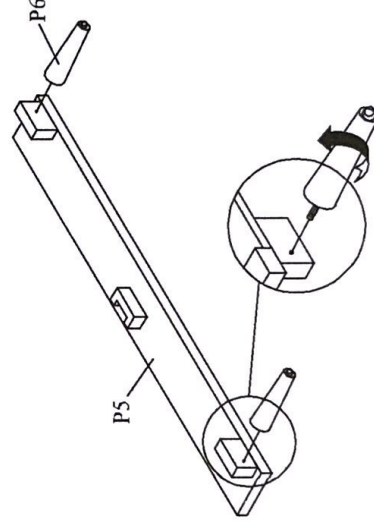


4



1

3



**CLARK QUEEN / E.KING / CAL KING BED**

*Assembly instructions:*

