

# MADISON PARK® ASSEMBLY INSTRUCTIONS

## Description: Paige Accent Cabinet

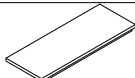





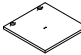




### Important safety instructions:

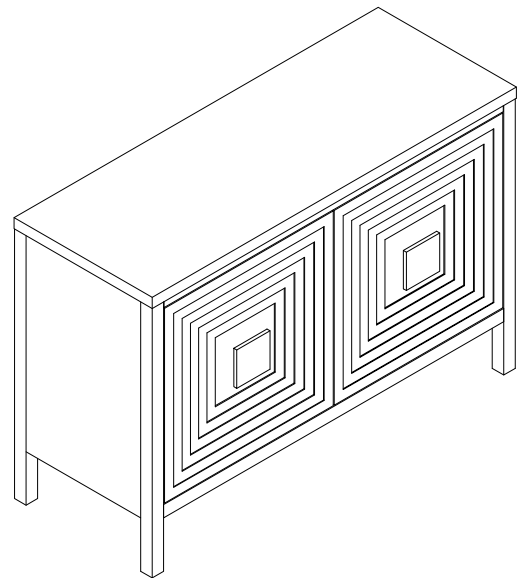
- Please read carefully all instructions before assembly.
- For your safety and ease, assembly by two or more adults is recommended.
- Keep instructions for future use.

### Pre-assembly:

- Do not discard any content until assembly is complete to avoid accidentally discarding small parts or hardware.
- Take out all parts and hardware from box.

### Parts List

Item	Description	QTY
P1	Top Panel  (P1)	1
P2	Left Panel  (P2)	1
P3	Right Panel  (P3)	1
P4	Center Panel  (P4)	1
P5	Bottom Panel  (P5)	1
P6	Shelves  (P6)	2
P7	Left Door  (P7)	1
P8	Right Door  (P8)	1
P9	Handles  (P9)	2
P10	Middle Leg  (P10)	1
P11	Back Panel  (P11)	1



### Hardware List

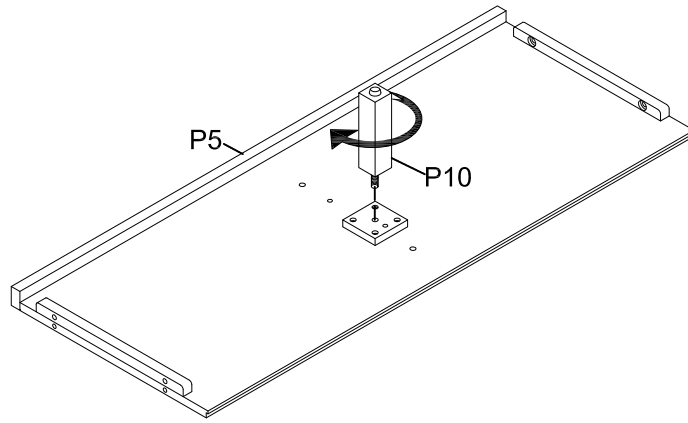
Item	Description	QTY
H1	Big Bolts Ø 1/4"x1-1/4" 	12
H2	Lock Washers 1/4" 	12
H3	Flat Washers 1/4" 	12
H4	Allen Wrench 1/4" 	1
H5	Wood Dowels 	12
H6	Small Bolts 	4
H7	Shelf Pins 	8
H8	Round Head Screw 	18
H9	Hinges 	4
H10	Flat Head Screws Ø 1/8"x5/8" 	24
H11	Anti Tip Kit 	1 SET

### DISCLAIMER:





WHEN PROPERLY ASSEMBLED, THIS ITEM IS SAFE FOR INTENDED USE. SELLER IS NOT LIABLE FOR ANY DAMAGES RESULTING FROM ITEM BEING IMPROPERLY ASSEMBLED AFTER PURCHASE.

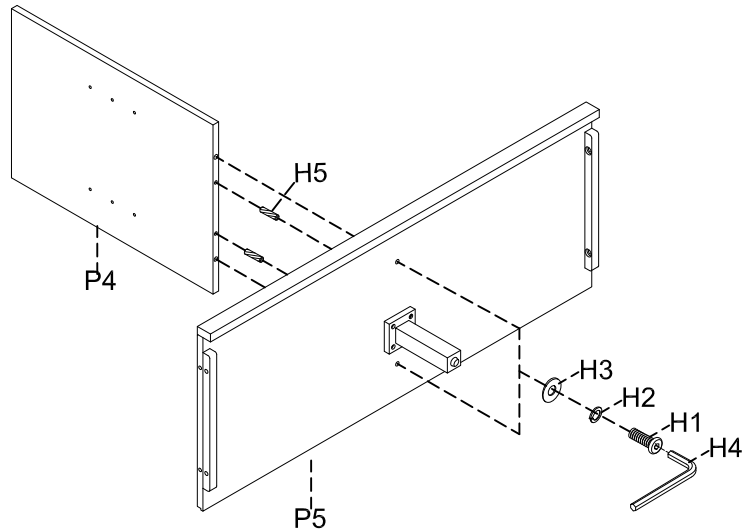
It will take approximately 30 minutes for two adults to assemble.

Step 1. Assemble the cabinet on a flat, soft surface such as a carpet or cloth to prevent scratching the finish. Attach the middle leg ( P10) to the bottom of bottom panel (P5) as shown below.



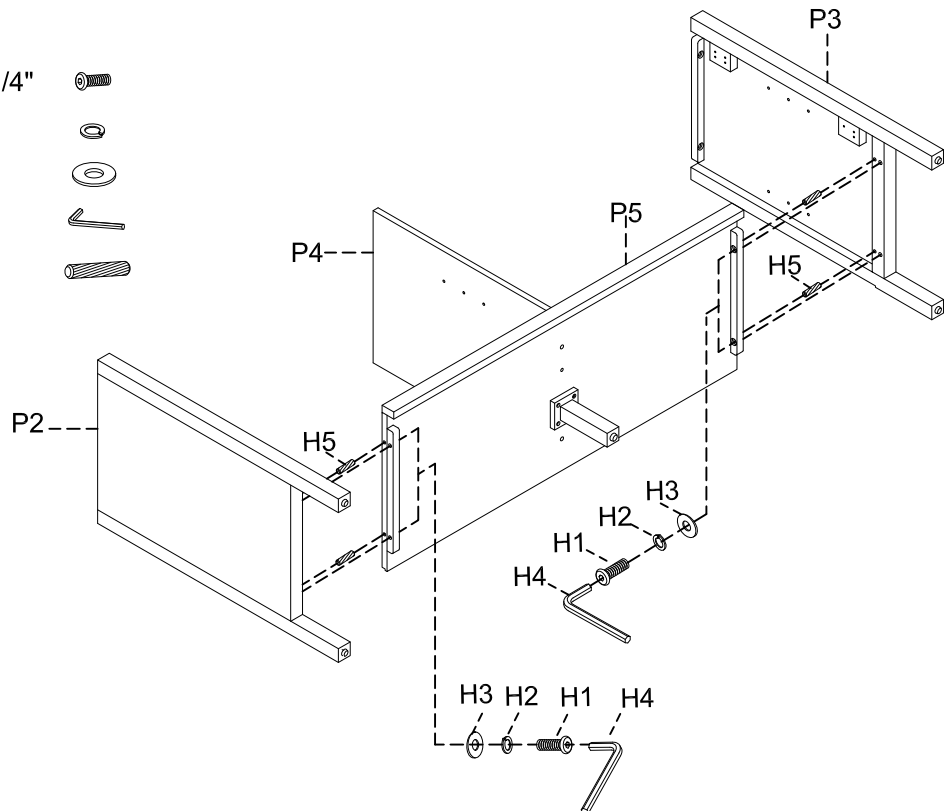
Step 2. Attach the the center panel (P4) to the bottom panel (P5) as shown below, but do not tighten the bolts.

- (H1)x2 Big Bolts Ø 1/4"x1-1/4" 
- (H2)x2 Lock Washers 
- (H3)x2 Flat Washers 
- (H4)x1 Allen Wrench 
- (H5)x2 Wood Dowels 



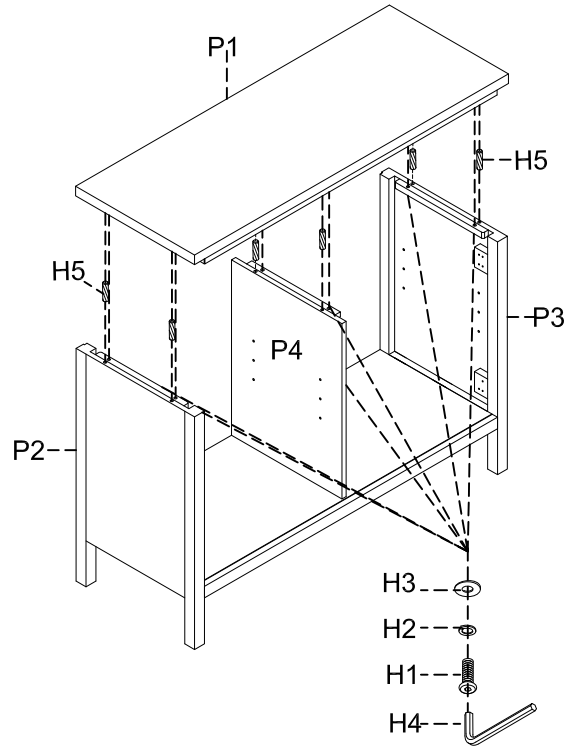
Step 3. Attach the left side panel (P2) and right side panel (P3) to the the bottom panel (P5) as shown below, but do not tighten the bolts.

- (H1)x4 Big Bolts Ø 1/4"x1-1/4" 
- (H2)x4 Lock Washers 
- (H3)x4 Flat Washers 
- (H4)x1 Allen Wrench 
- (H5)x4 Wood Dowels 



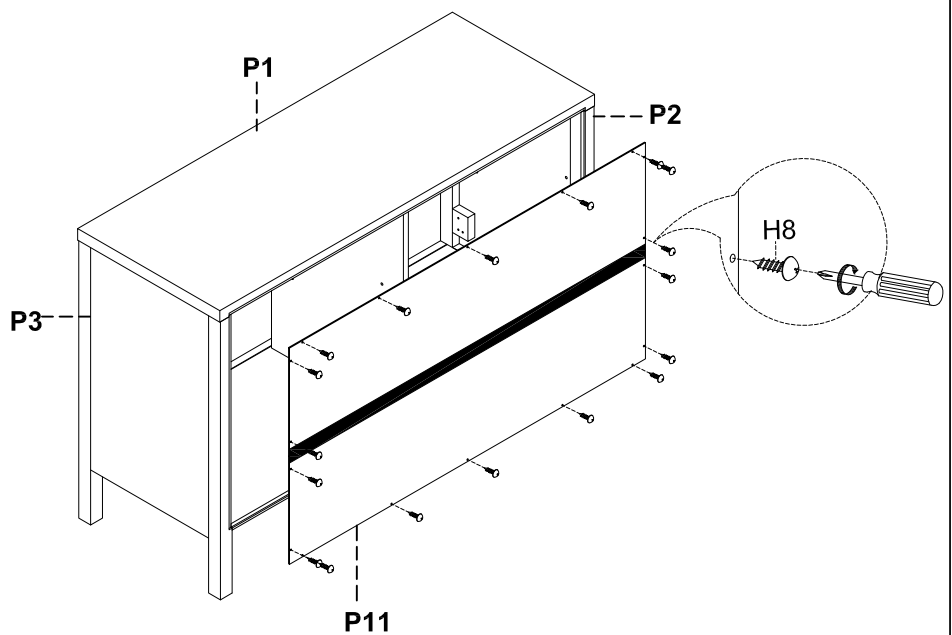
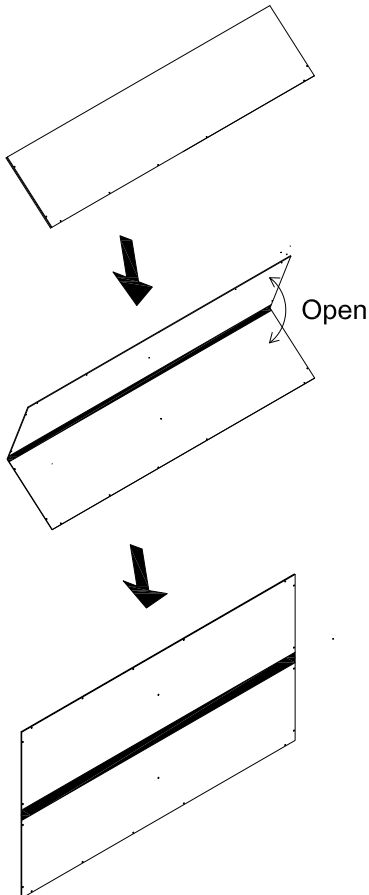
Step 4. Turn the assembled cabinet frame to an upright position, attach the top panel (P1) to the assembled side panels (P2&P3) and center panel (P4) as shown below.

- (H1)x6 Big Bolts  $\varnothing$  1/4"x1-1/4" 
- (H2)x6 Lock Washers 
- (H3)x6 Flat Washers 
- (H4)x1 Allen Wrench 
- (H5)x6 Wood Dowels 



Step 5. Securely tighten all bolts with Allen wrench (H4). Open the back panel (P11), then attach it to the cabinet frame as shown below.

- (H8)x18 Round Head Screw 

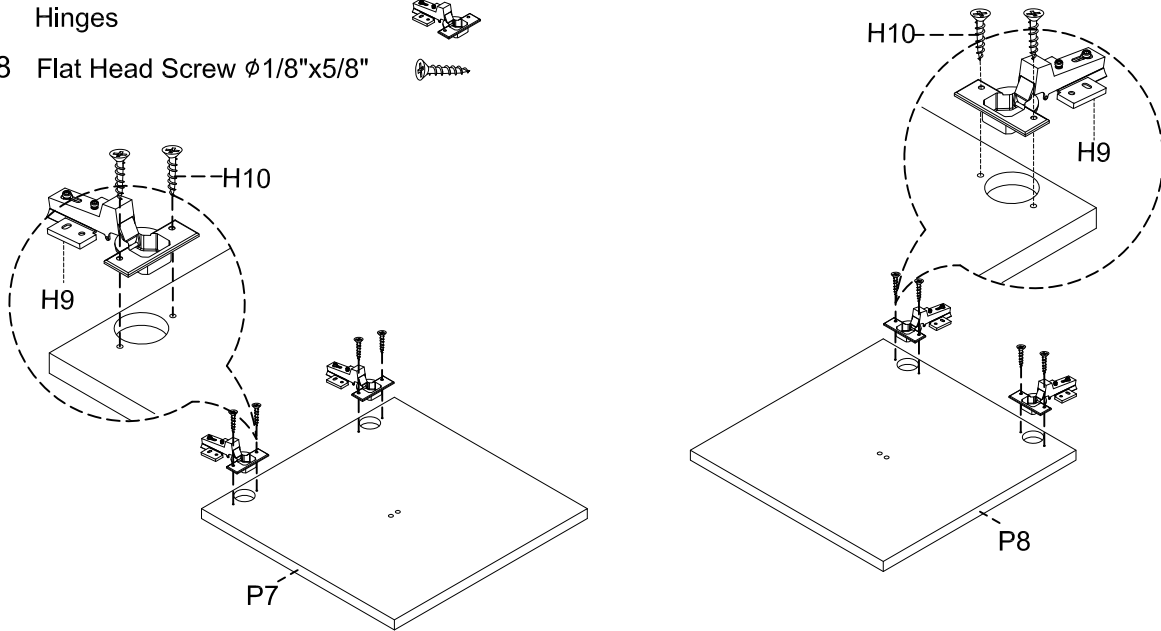


Step 6. Attach the hinges(H9) to the left door (P7) and right door (P8) as shown below

(H9)x4 Hinges



(H10)x8 Flat Head Screw  $\phi 1/8$ "x5/8"



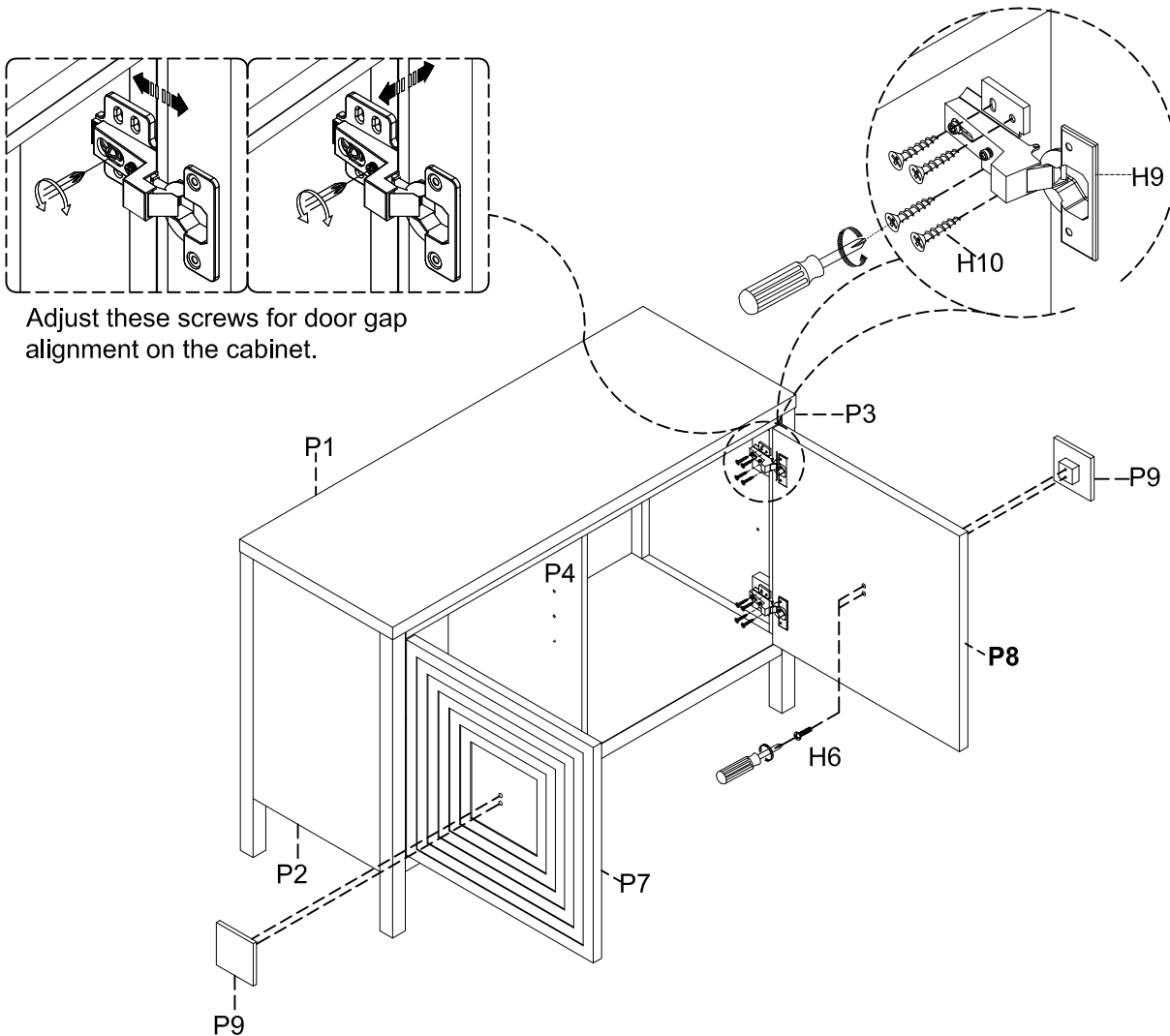
Step 7.

- 1) Attach the left door (P7) and right door (P8) to the assembled cabinet side panels (P2& P3) as shown below.
- 2) Attach the handles (P9) to the left door (P7) and the right door (P8).

(H6)x4 Small Bolts

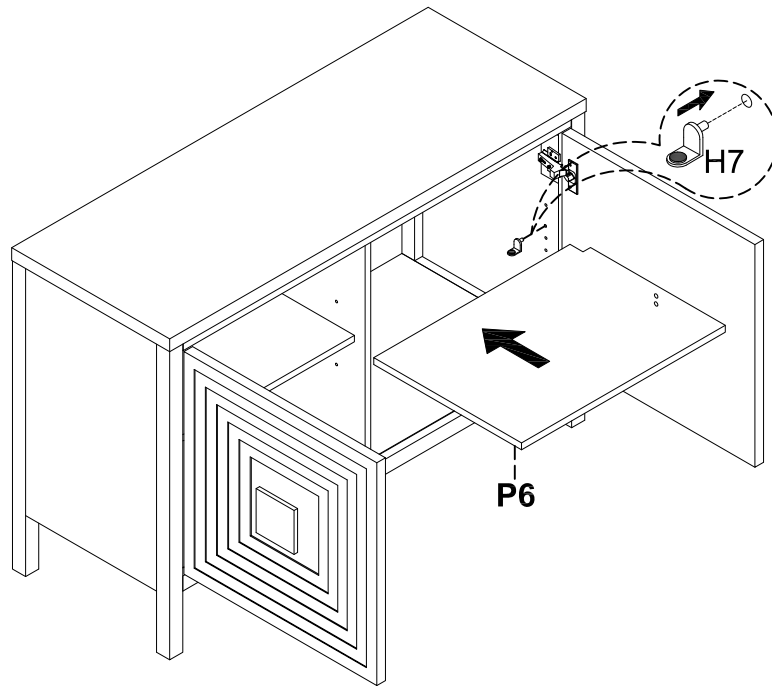


(H10)x16 Flat Head Screw  $\phi 1/8$ "x5/8"



Step 8. Insert the shelves (P6) to the assembled cabinet as shown below.

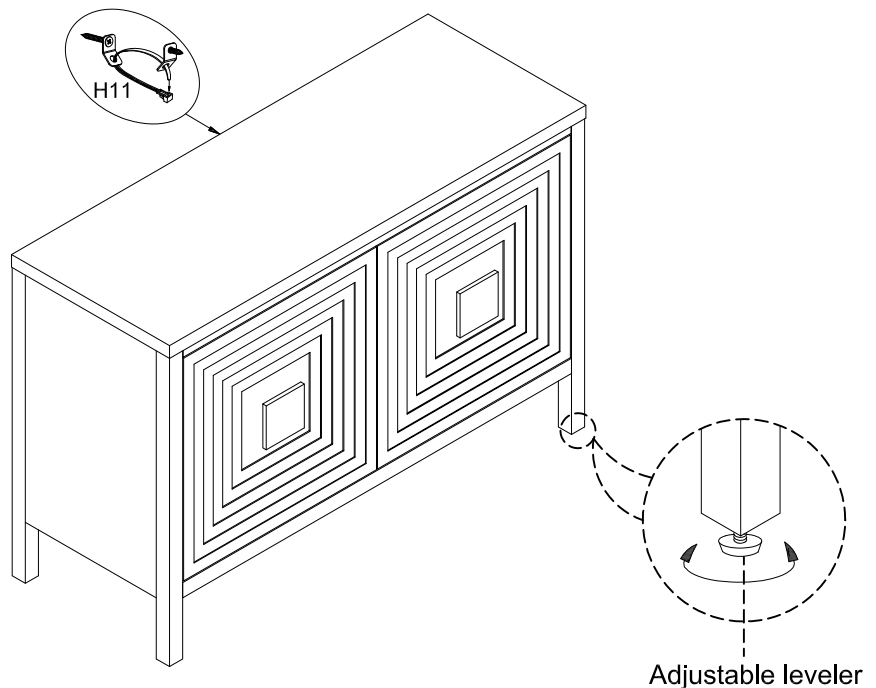
(H7)x8 Shelf Pins 



Step 9.

- 1) Securely tighten all the bolts with Allen wrench (H4).
- 2) **Leveler adjustment:** Levelers are pre-installed on the legs and adjust as needed to make sure the cabinet is leveled.
- 3) Assembly is complete. **Failure to follow these instructions may cause the bolts to misalign during assembly.**
- 4) **Recommend that you attach the products to a wall as a safety precaution.** Please see the other instructions "**Furniture Safety Bracket Tip Resistant**".

(H11)x1 Anti Tip Kit 



**ADDITIONAL NOTE ABOUT SAFETY:**  
**BOLTS MAY LOOSEN DURING NORMAL EVERYDAY USE.**  
**THEY SHOULD BE INSPECTED AT LEAST EVERY 3 MONTHS AND RE-TIGHTENED AS NEEDED TO PREVENT DAMAGE OR INJURY,**  
**AND ENSURE STABILITY.**

Thank you for you purchase

# Furniture Safety Bracket Tip Resistant

- Designed to help prevent furniture tipover.
- Detachable strap allows for easy moving of furniture for cleaning.
- Also helps prevent furniture from tipping during minor tremors.

## Installation:

### Short Screw (1pc)



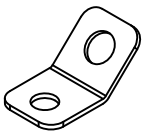
### Long Screw (1pc)



### Strap (1pc)



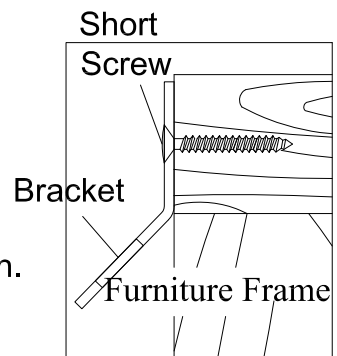
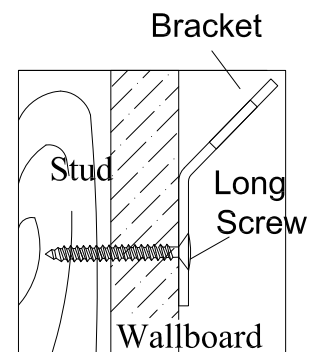
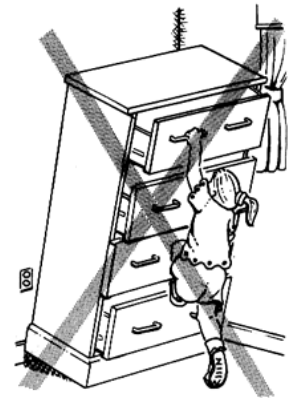
### Bracket (2pcs)



1. Locate a wall stud behind your furniture. Position a bracket on the stud approximately 1" below the top frame of the furniture. Mark and drill pilot hole into the center of the stud with a 3/32" drill bit. Attach a bracket to the stud with the long screws provided.

2. On the back of the furniture, a bracket will need to be attached to the furniture frame at the top. To do this, temporarily move the furniture into its final position and mark the location of the wall bracket on the furniture frame. Move the furniture away from the wall and place a bracket on the mark. Mark and drill holes for screws with a 3/32" drill bit. Attach the bracket to the furniture with the short screws provided.

3. Move the furniture into its final position, taking care to line up the wall bracket with the furniture bracket. Thread a strap through the bracket as shown in the illustration. Tighten strap until snug. Do not overtighten.



## Important:

Check to be sure the wall bracket is firmly screwed into wall stud, the furniture bracket is firmly attached to the frame, and the strap is snug.

## Caution:

This product is not to be a substitute for proper parental supervision. Manufacturer assumes no liability for improper installation or excessive loads placed on screws brackets or straps.

## Warning:

Children have died from furniture tipover. To reduce the risk of furniture tipover:

- ALWAYS install tipover restraint provided.
- NEVER put a TV on this product.
- NEVER allow children to stand, climb or hang on drawers, doors, or shelves.
- NEVER open more than one drawer at a time.
- Place heaviest items in the lowest drawers.

This is a permanent label.

Do not remove!

