

SHIP8, INC.

ATTN: ACCOUNTS PAYABLE
45875 NORTHPORT LOOP EAST
FREMONT, CA 94538
US

AP.SHIP8@SHIP8.COM

ORDER FROM

100617

AMAZON INC.

SEATTLE, WA 98109

SHIP TO

WDC(4000),
SHIP8, INC.
ATTN: CHRISTINE JENKINS
221 HANSON WAY
WOODLAND, CA 95776
US

Page

1 OF 1

PO Date

11/11/2024

PO No.

24111285

Buyer

Purchasing Dept

Terms

Net 30 Days

FOB

FOB Origin

Ship Via

Best possible

Extended Price

Unit Price

UOM

Qty Ordered

Vendor Item Description

Vendor Item No.

Line No.

146.00

Each

2.00

Deionizer Refill Cartridge

1

JMW, 11-13

Total Extended Price =

Deliver to Christine
Port Went... 31407

All ▾ Enter keyword or product number

EN

Hello, Christine
Account for Ship8 Inc

0

All Black Friday Week Business Gift Guide Buy Again

Pay with Amazon

Lists Business Prime

Your Account > Your Orders > Order Details

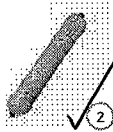
Order Details

PO# 24111285 Ordered on November 11, 2024 Order# 113-7822213-8362644

[Printable Order Summary](#)

Shipping Address Alex Gonzalez 221 HANSON WAY WOODLAND, CA 95776-6211 United States	Payment method Pay By Invoice	Order Summary Item(s) Subtotal: \$291.00 Shipping & Handling: \$0.00 Total before tax: \$291.00 Estimated tax to be collected: \$23.28 Grand Total: \$314.28
Requested by Order method	Alex Gonzalez Business	Invoices and Credit Memos 1YJC-1NPT-31FF \$ 314.28

Delivered yesterday
 Your package was delivered. It was handed directly to a resident.
 Signed by: Alex



Deionizer Refill Cartridge
 Sold by: Zentra, LLC
 Return eligible through Jan 31, 2025
 \$145.50
 ✓ **Business Price**

del
11-13-24
CA

[Track package](#)

[Print packing slip](#)

[Return or replace items](#)

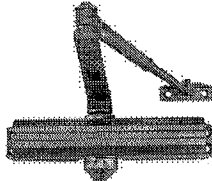
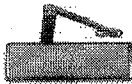
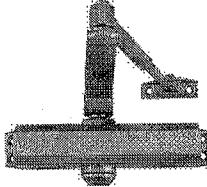
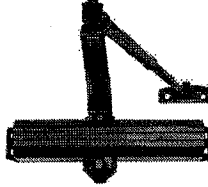
[Share gift receipt](#)

[Write a product review](#)

Products related to your order

Page 1 of 5

Sponsored

- | | | | | | | | | |
|--------------------------|---|--------------------------|---|--------------------------|--|--------------------------|--|--------------------------|
| <input type="checkbox"/> |  | <input type="checkbox"/> |  | <input type="checkbox"/> |  | <input type="checkbox"/> |  | <input type="checkbox"/> |
| | <p>LYNN HARDWARE
 Medium/Heavy Duty
 Commercial Door Closer -
 DC7016 Surface Mounte...
 224
 \$169.20</p> | | <p>CLG HARDWARE Extra
 Heavy Duty Commercial
 Door Closer, DC9016
 Automatic Door Closer, S...
 20
 \$259.95</p> | | <p>CLG HARDWARE DC6003
 Medium Duty Commercial
 Door Closer - Surface
 Mounted, Automatic Do...
 25
 \$129.95</p> | | <p>CLG HARDWARE
 Medium/Heavy Duty
 Commercial Door Closer
 DC7016 - Surface Mount...
 32
 \$179.95</p> | |

Consider these items



Invoice

Invoice # 1YJC-1NPT-31FF | November 13, 2024

For customer support, visit www.amazon.com/contact-us.

Invoice summary *Payment due by December 13, 2024*

Item subtotal before tax	\$ 291.00
Shipping & handling	\$ 0.00
Promos & discounts	\$ 0.00
Total before tax	\$ 291.00
Tax	\$ 23.28
Amount due	\$ 314.28 USD

Account #	A35AFFUVNI95SG
Payment terms	Net 30
Purchase date	11-Nov-2024
Purchased by	Alex Gonzalez
PO #	24111285

Registered business name

Ship8 Inc

Bill to

Ship8 Inc
45875 NORTHPORT LOOP E
FREMONT, CA 94538

Ship to

Alex Gonzalez
221 HANSON WAY
WOODLAND, CA 95776-6211

Pay by

Electronic funds transfer (EFT/ACH/Wire)

Account name Amazon Capital Services, Inc.
Bank name Wells Fargo Bank
ACH routing # (ABA) 121000248
Bank account # (DDA) 41630120002270518
SWIFT code (wire transfer) WFBUS6S

Check

Amazon Capital Services
 PO Box 035184
 Seattle, WA 98124-5184

Include Amazon invoice number(s) in the descriptive field of your electronic funds transfer payment, or
 Email ar-businessinvoicing@amazon.com to submit your remittance detail.

Invoice details

Description	Qty	Unit price	Item subtotal before tax	Tax
1 Deionizer Refill Cartridge ASIN: B00L2T0PBW Order # 113-7822213-8362644 Sold by: Zentra LLC	2	\$145.50	\$291.00	8.000%

Total before tax	\$291.00
Tax	\$23.28

Amount due \$314.28

FAQs

How is tax calculated?

Visit https://www.amazon.com/gp/help/customer/display.html/ref=hp_leftv4_sib?ie=UTF8&nodeId=202036190

How are digital products and services taxed?

Visit https://www.amazon.com/gp/help/customer/display.html/ref=hp_leftv4_sib?ie=UTF8&nodeId=202074670