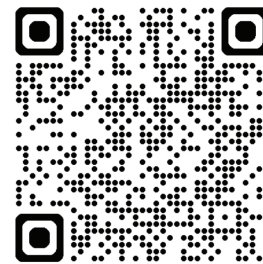
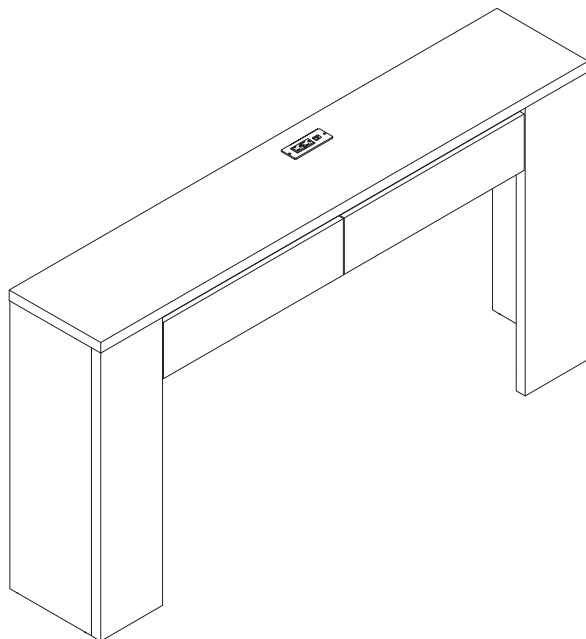


ASSEMBLY INSTRUCTIONS
Alex Console Table

MADISON PARK®
 -essentials-

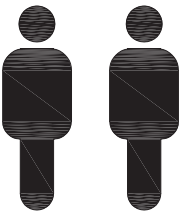
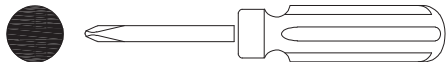




Please read below before assembly:

- Assemble the product on a flat, soft surface such as a carpet or cloth to prevent scratching the finish.
- Do not discard any content until assembly is complete to avoid accidentally discarding small parts or hardware.
- Take out all parts and hardware from box.
- Failure to follow these instructions may cause the bolts to misalign during assembly.

DISCLAIMERS:

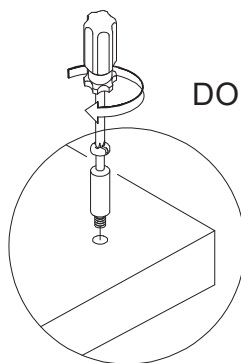
- WHEN PROPERLY ASSEMBLED, THIS ITEM IS SAFE FOR INTENDED USE. SELLER IS NOT LIABLE FOR ANY DAMAGES RESULTING FROM ITEM BEING IMPROPERLY ASSEMBLED AFTER PURCHASE.
- BOLTS MAY LOOSEN DURING NORMAL EVERYDAY USE. THEY SHOULD BE INSPECTED AT LEAST EVERY 3 MONTHS AND RE-TIGHTEN AS NEEDED TO PREVENT DAMAGE OR INJURY, AND ENSURE STABILITY.

 PEOPLE NEEDED	TOOLS REQUIRED (NOT INCLUDED)  PHILLIPS HEAD SCREW DRIVER	MANUAL TOOL  ESTIMATED TIME	ELECTRIC TOOL  ESTIMATED TIME
--	--	---	--

Using Camlocks

Step 1

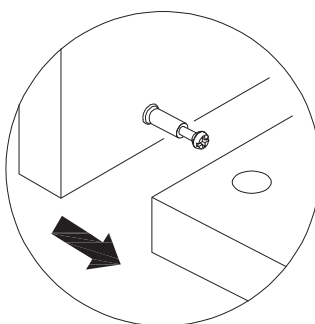
Connect the male camlock with a piece of board.



DO NOT OVER TIGHTEN.

Step 2

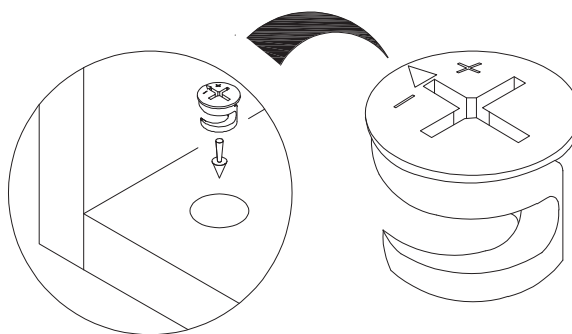
Insert the male camlock into the predrilled hole.



Step 3

Insert the female camlock.

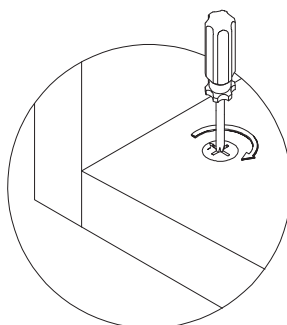
Note: Ensure that the arrow on the top of the camlock points towards the entry hole for the male camlock.



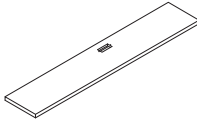
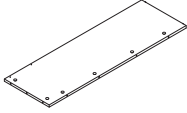
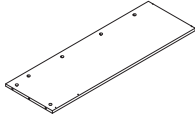
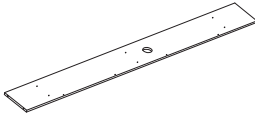
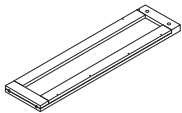
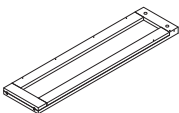
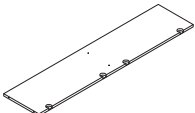
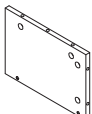
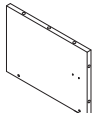
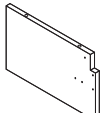
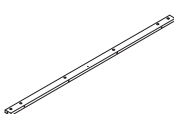
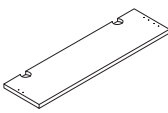
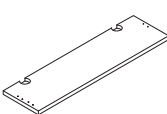
Step 4

Turn the female camlock clockwise with a screwdriver.

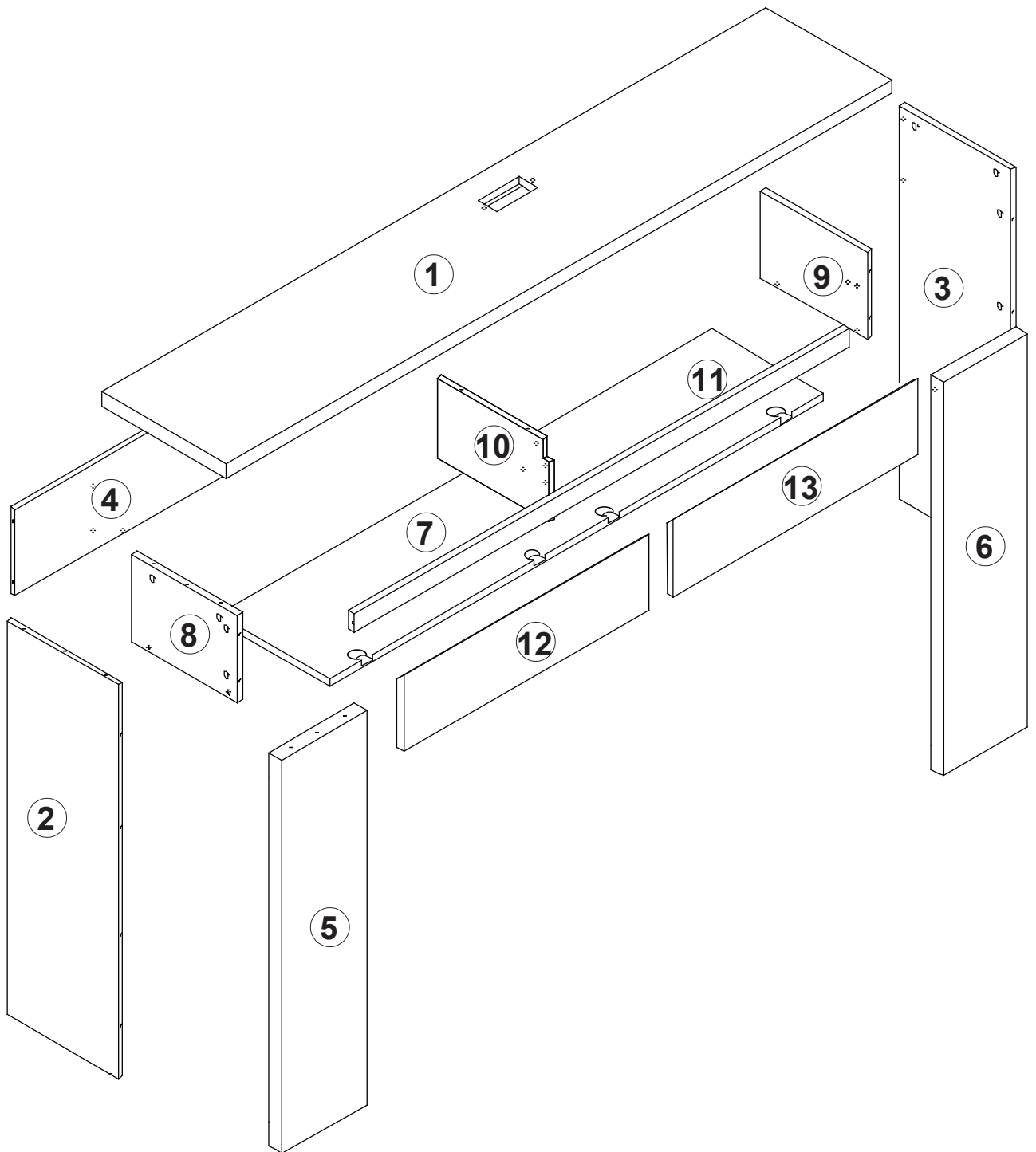
You should feel a click when the camlock is locked in place, the joint is now secure.



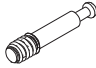


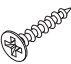

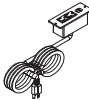
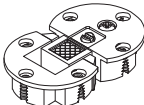


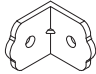


PARTS LIST

①	TABLE TOP		1 PC
②	LEFT PANEL		1 PC
③	RIGHT PANEL		1 PC
④	BACK PANEL		1 PC
⑤	LEFT FRONT PANEL		1 PC
⑥	RIGHT FRONT PANEL		1 PC
⑦	BOTTOM PANEL		1 PC
⑧	LEFT SIDE PANEL		1 PC
⑨	RIGHT SIDE PANEL		1 PC
⑩	CENTER PANEL		1 PC
⑪	FRONT RAIL		1 PC
⑫	LEFT DOOR		1 PC
⑬	RIGHT DOOR		1 PC

EXPLODED VIEW

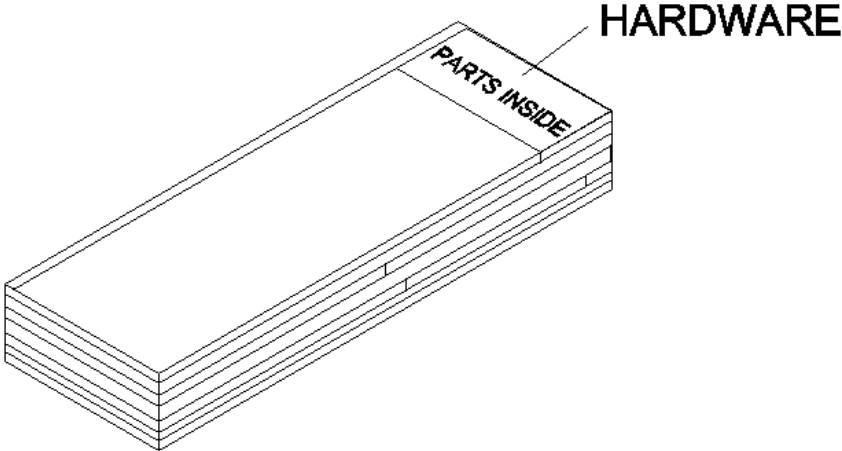


HARDWARE LIST

A	MALE CAMLOCK - Ø1/4" X 1"		40 PCS
B	FEMALE CAMLOCK - Ø5/8" X 1/2"		40 PCS
C	WOOD DOWEL - Ø5/16" X 1-3/16"		6 PCS
D	FLAT SCREW - Ø1/8" X 1/2"		54 PCS
E	BOLT - Ø1/4" X 2"		16 PCS
F	POWER OUTLET		1 PC
G	ROUND HINGE		4 PCS
H	LONG HINGE		2 SETS
I	MAGNETIC DOOR CATCH		2 SETS
J	BRACKET		1 PC
K	ALLEN KEY		1 PC
L	ANTI-TIP -KIT		1 SET

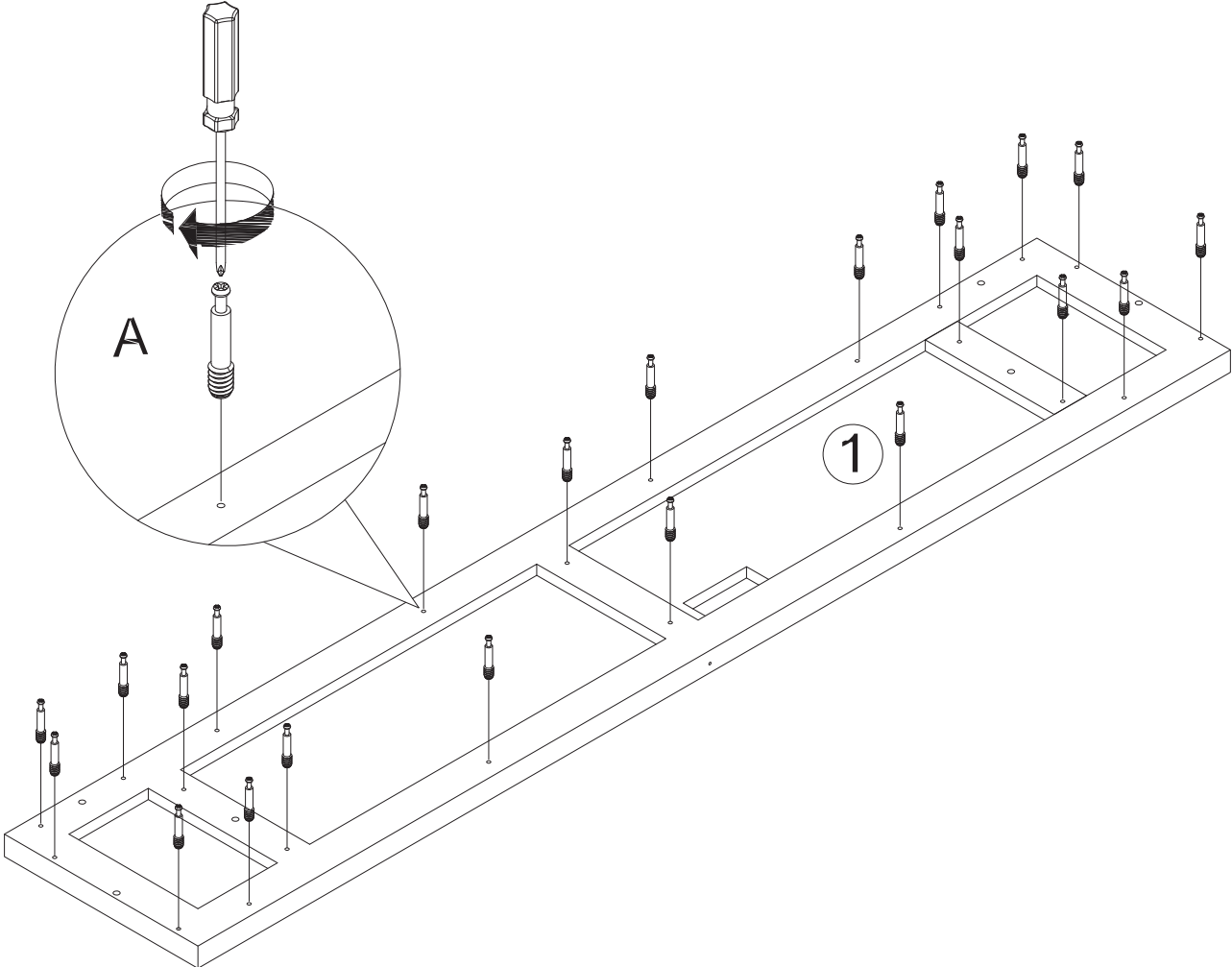
STEP 1

LOCATE PARTS AND HARDWARE PER BELOW DRAWING.





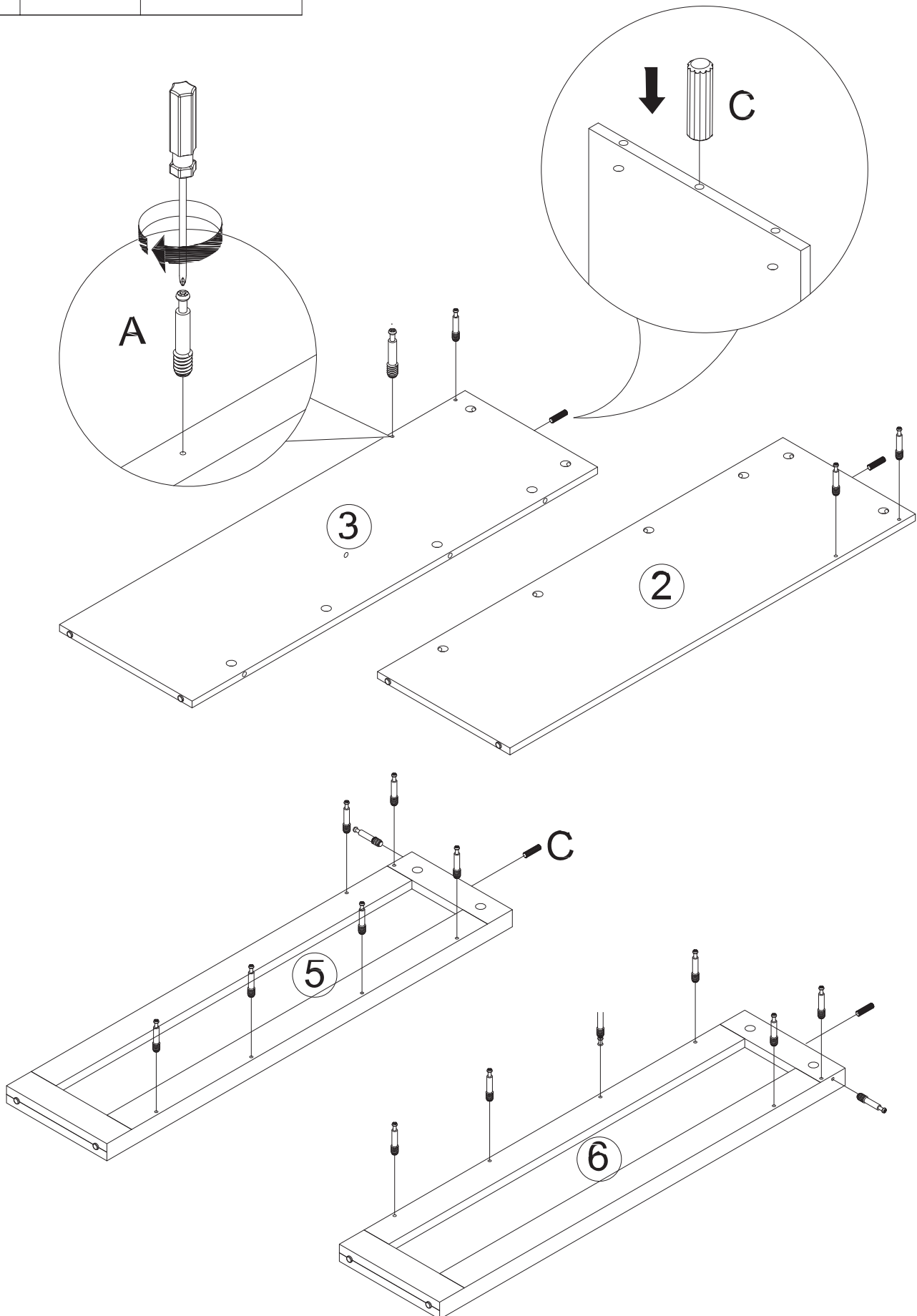
STEP 2

A		22 PCS
---	--	--------



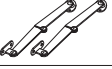



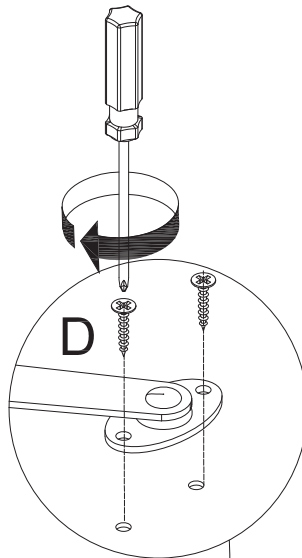
STEP 3

A		18 PCS
C		4 PCS

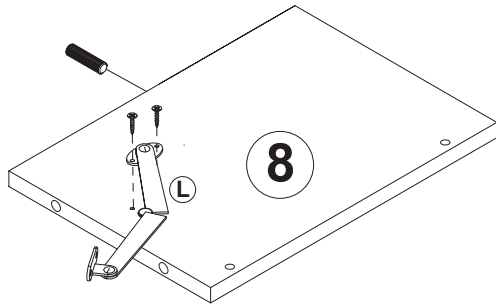
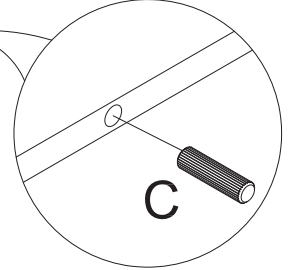
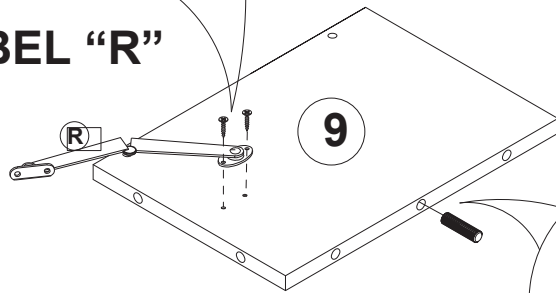


STEP 4

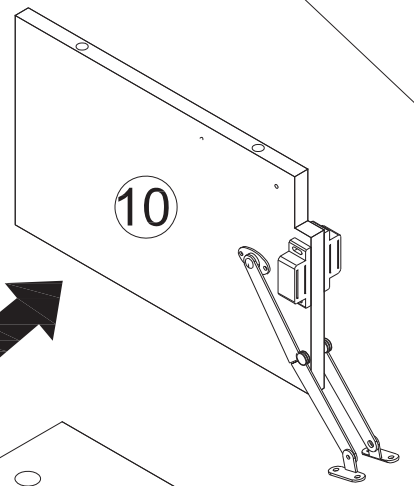
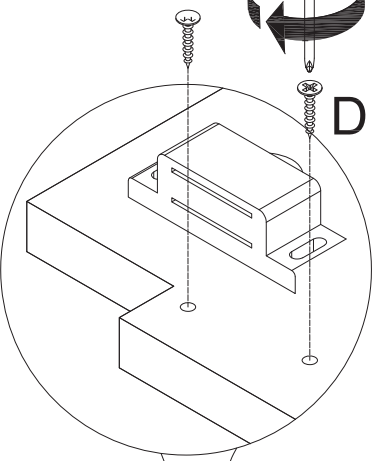
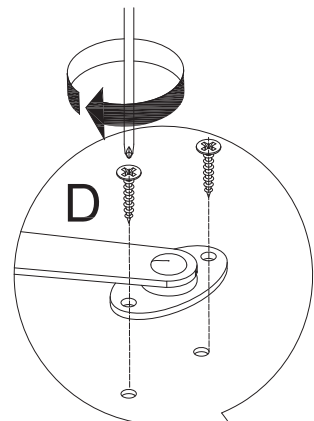
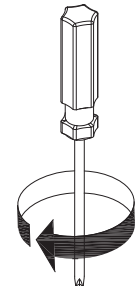
C		2PCS
D		12PCS
H		2SETS
I		2PCS



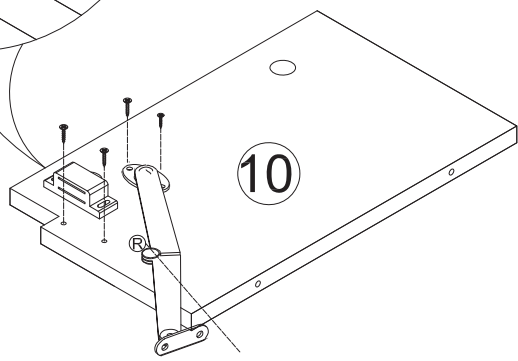
LABEL "R"



LABEL "L"






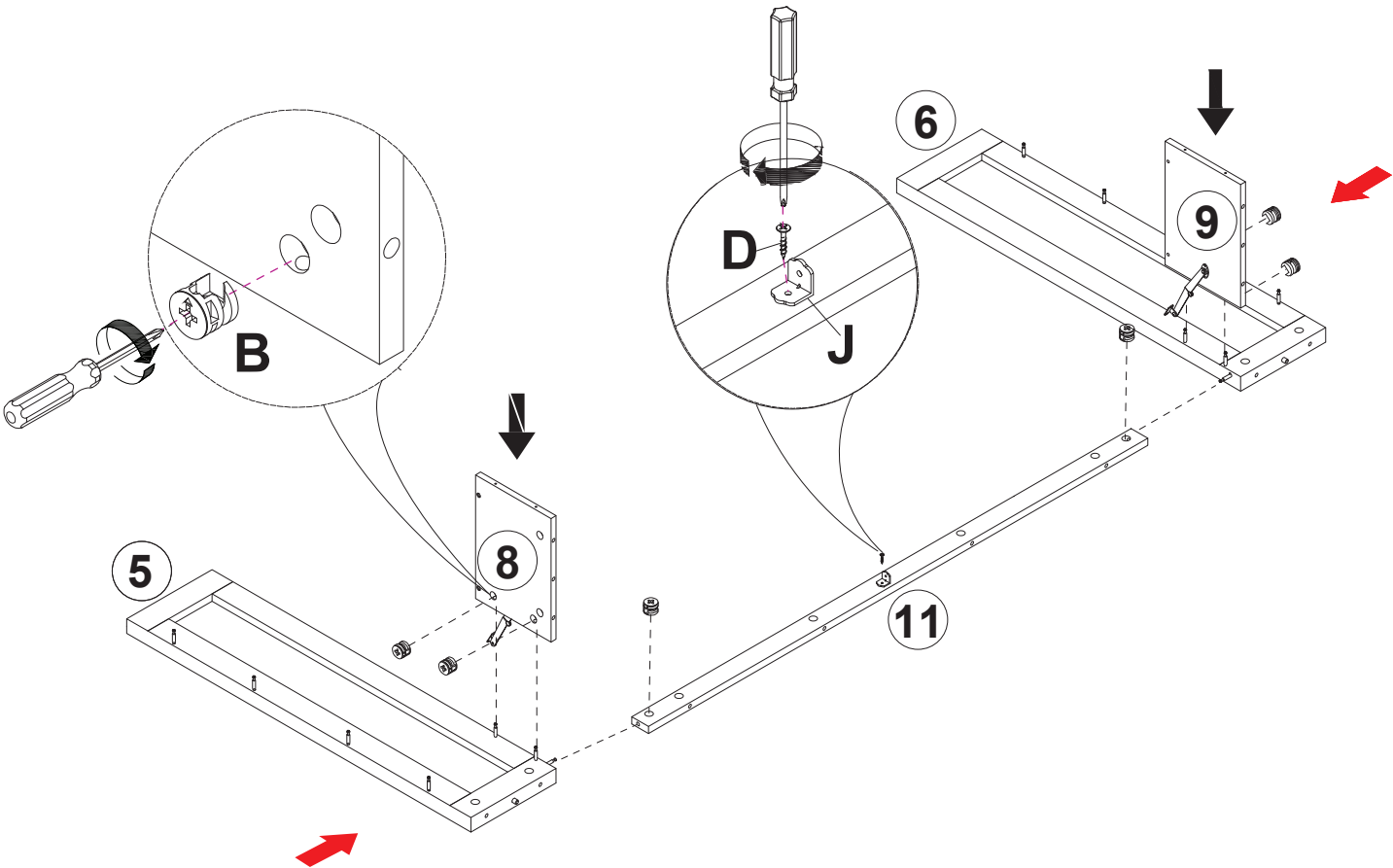
LABEL "L"






LABEL "R"

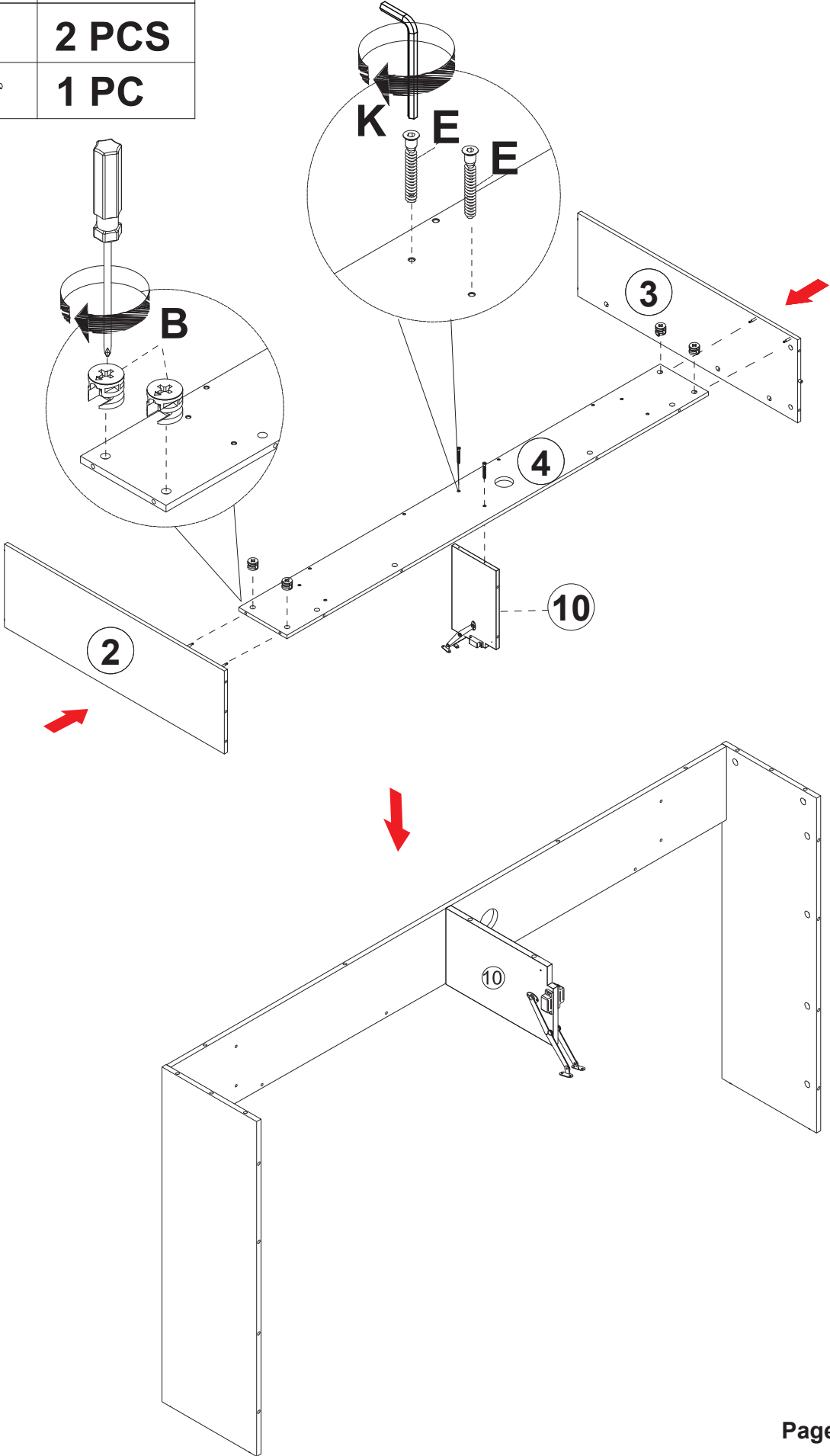
STEP 5

B		6 PCS
D		1 PC
J		1 PC






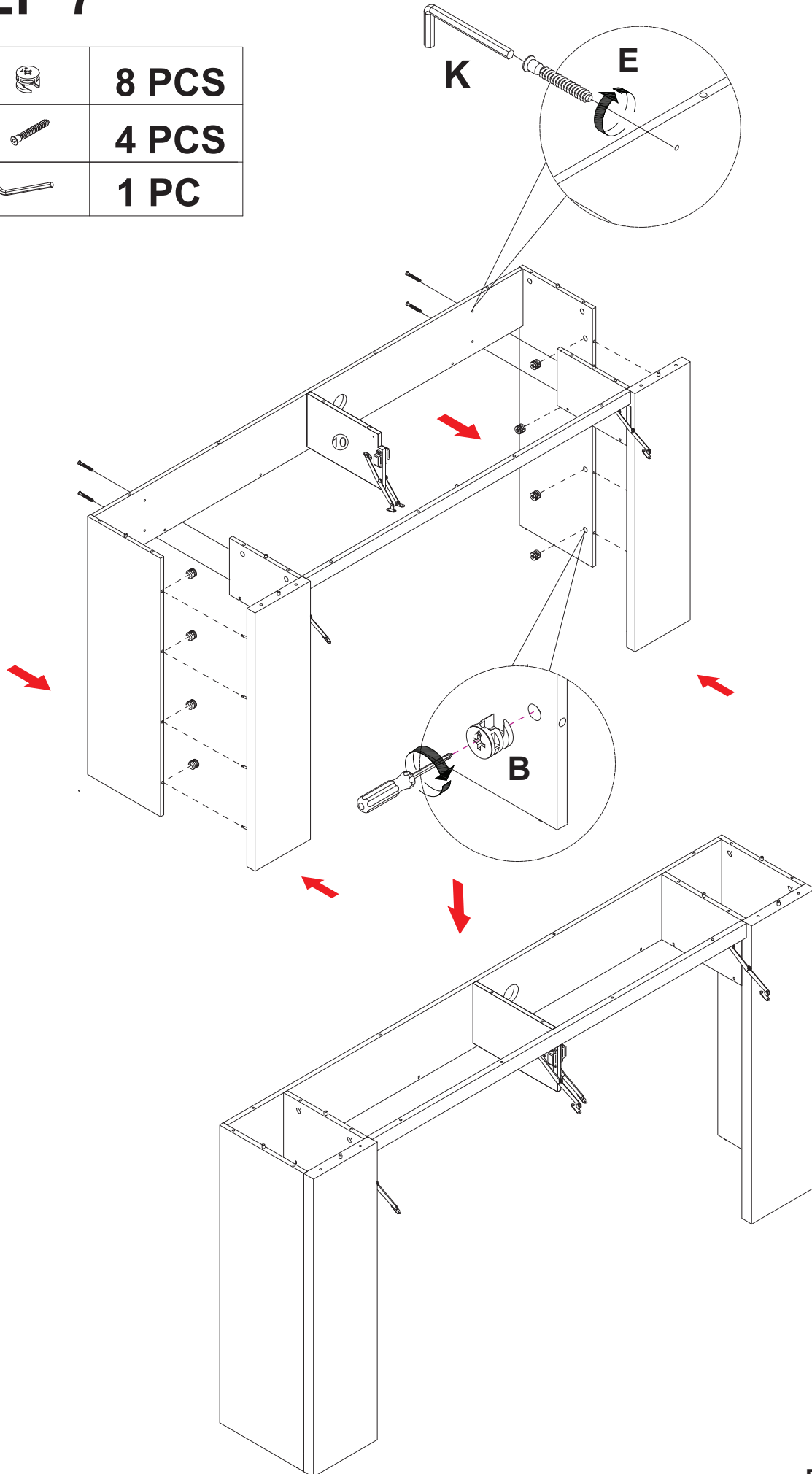
STEP 6

B		4 PCS
E		2 PCS
K		1 PC

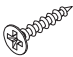


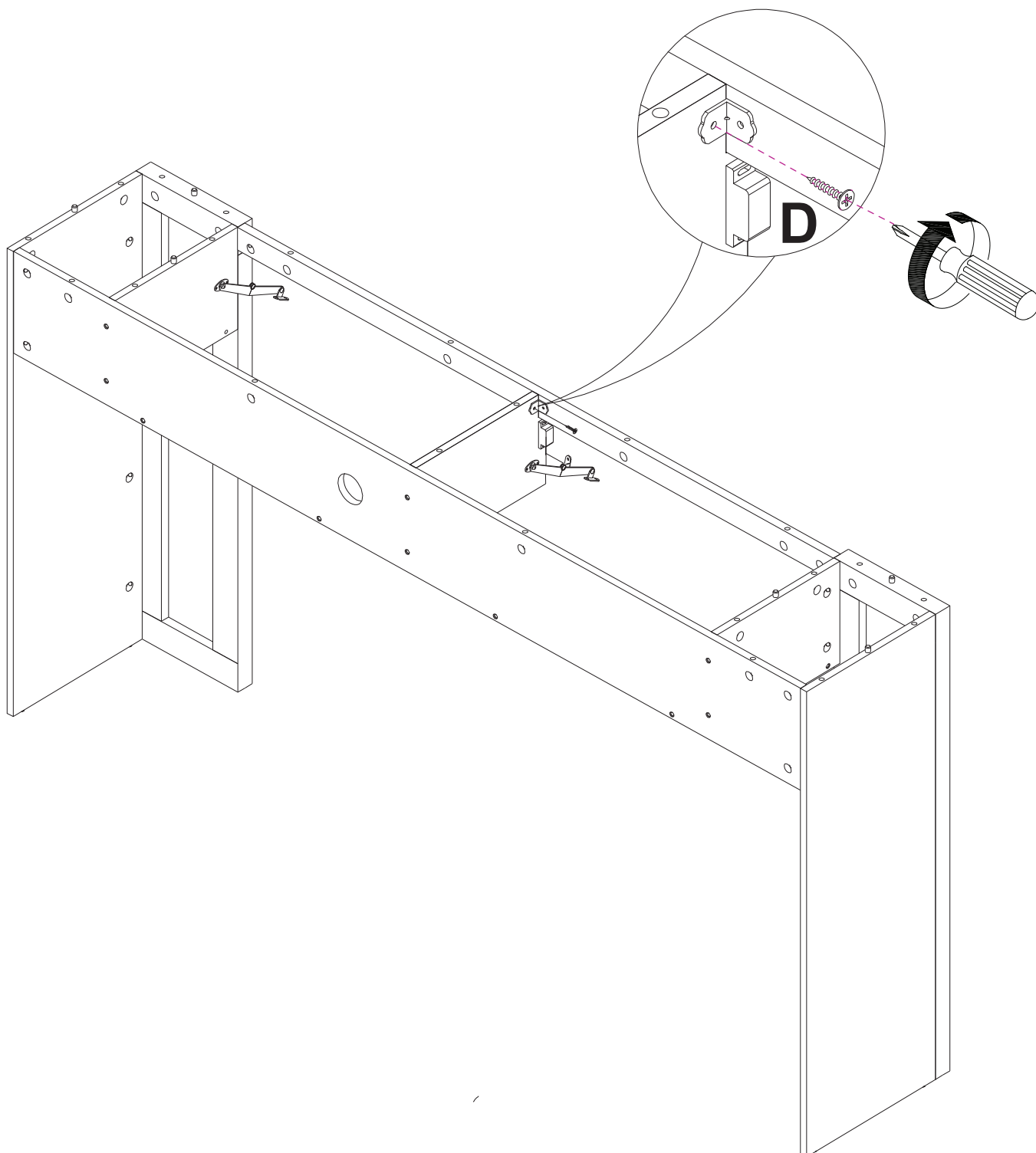
STEP 7

B		8 PCS
E		4 PCS
K		1 PC



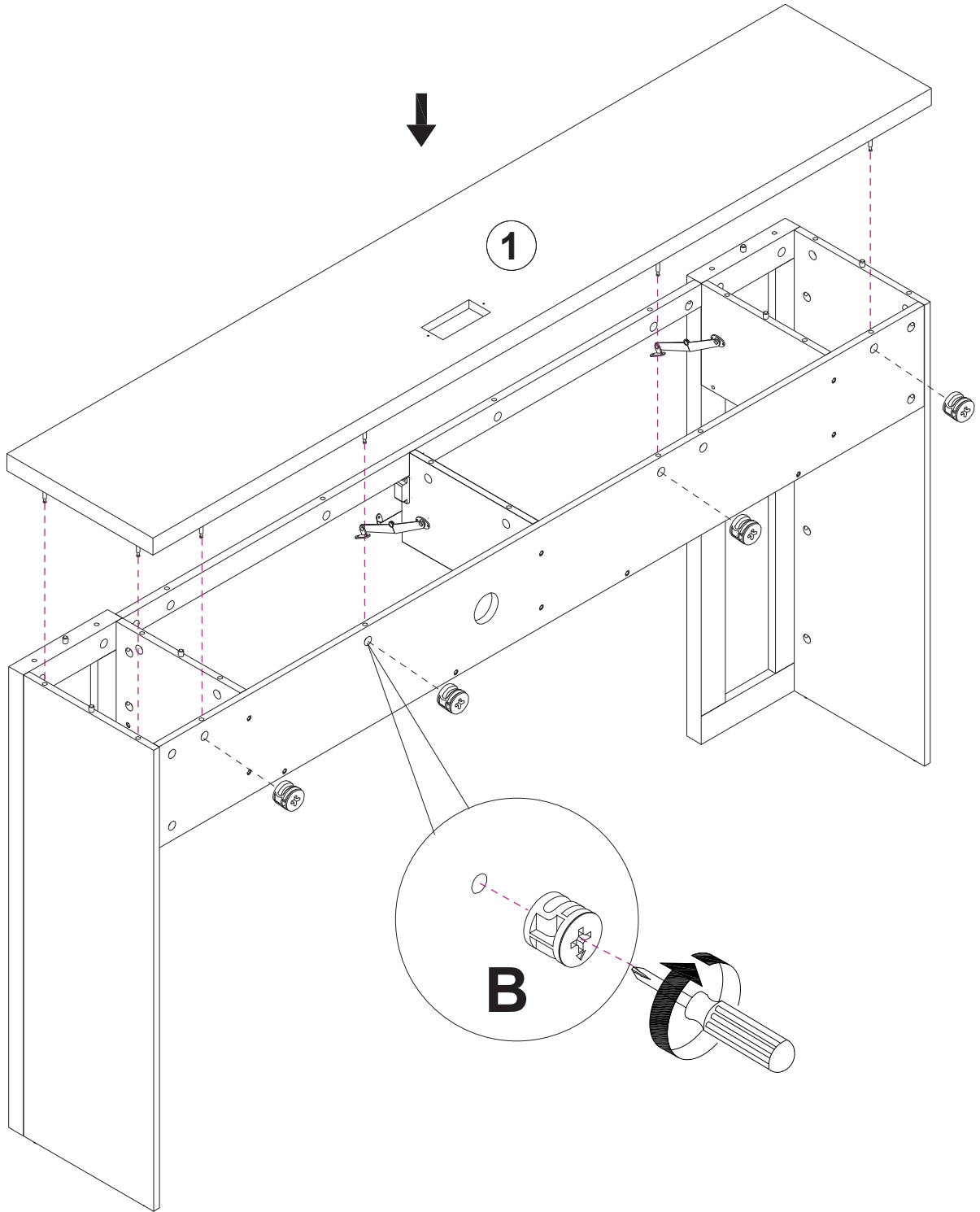
STEP 8

D		1 PC
----------	---	-------------



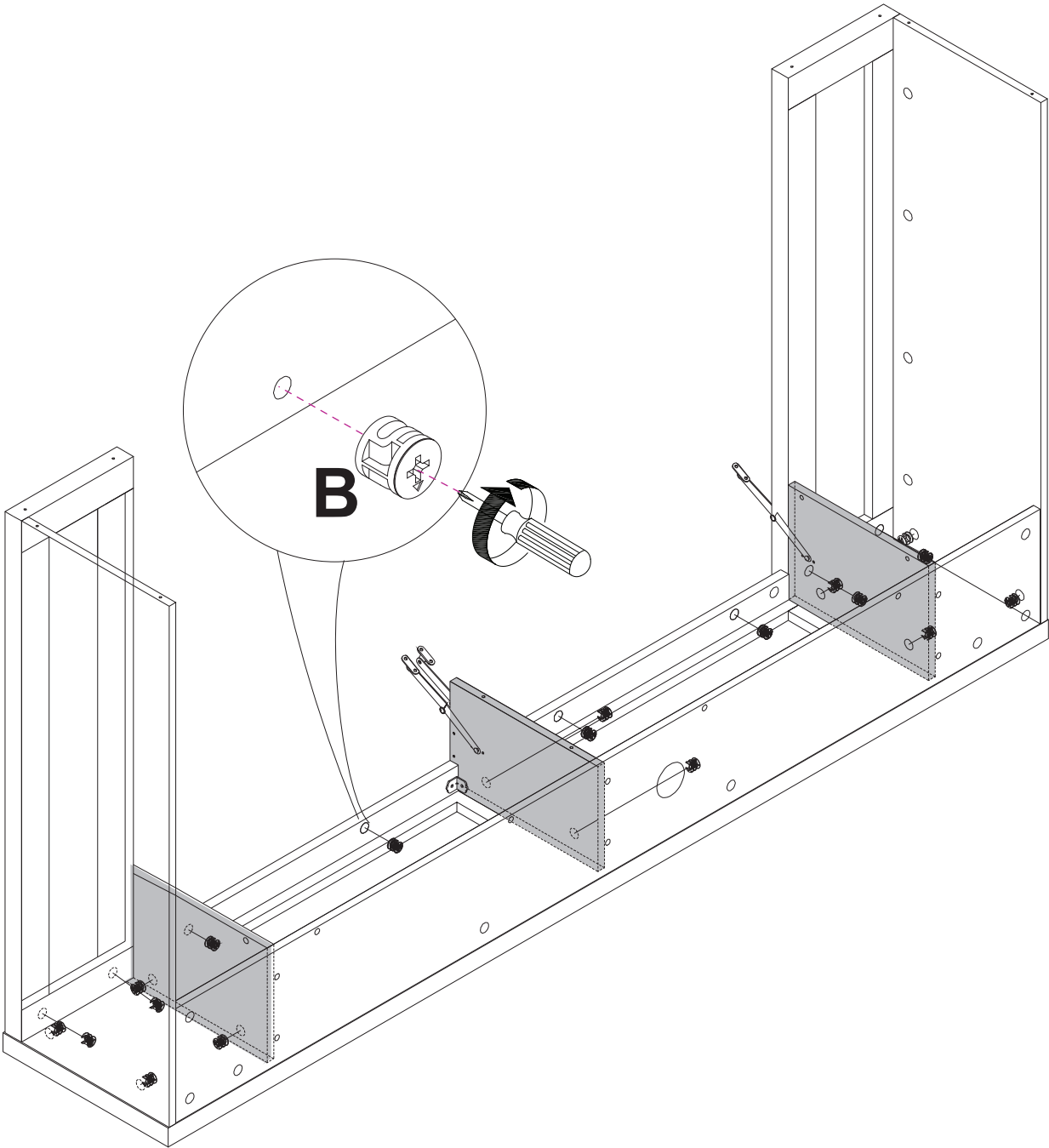
STEP 9

B		4 PCS
----------	---	--------------





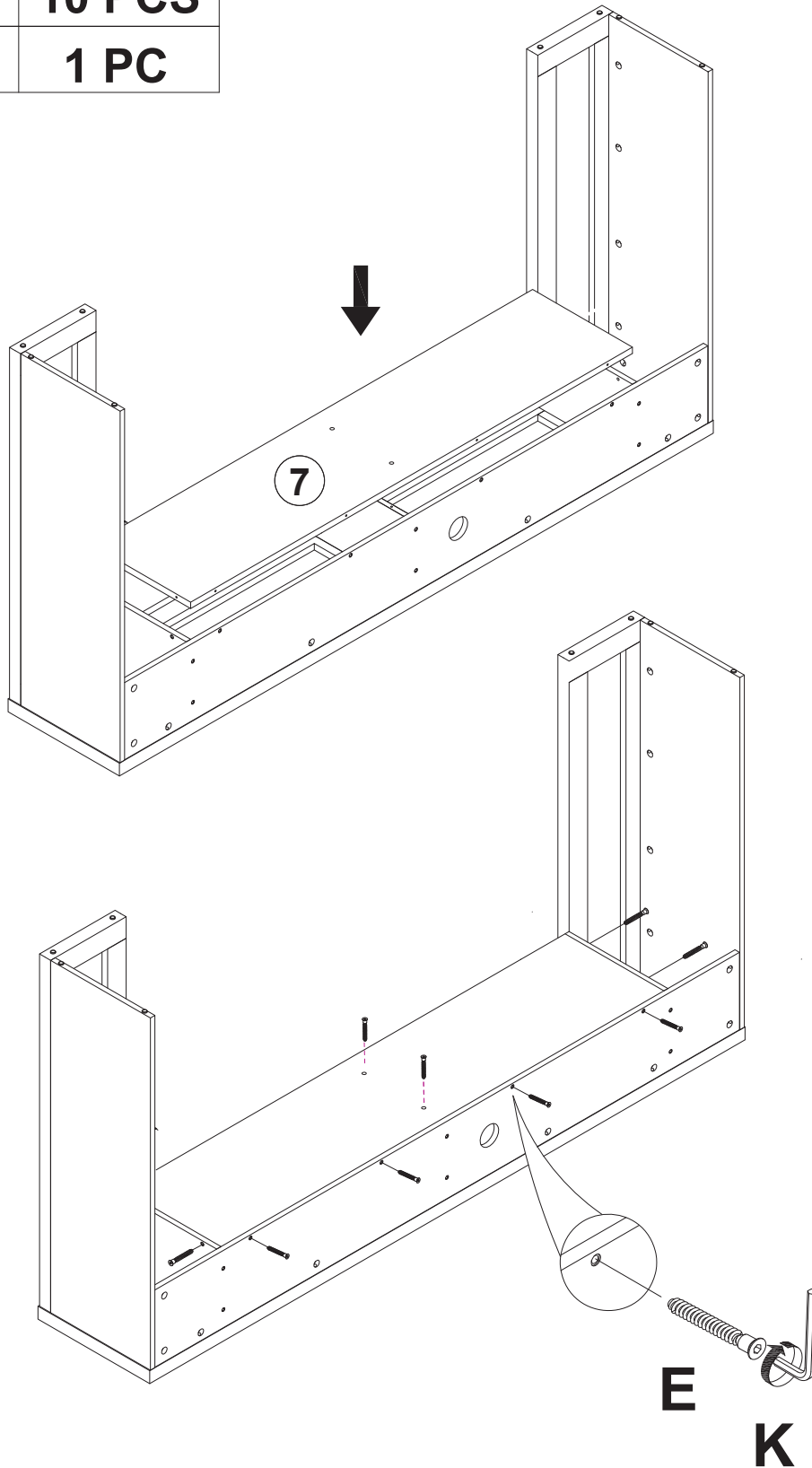
STEP 10

B		18 PCS
----------	---	---------------






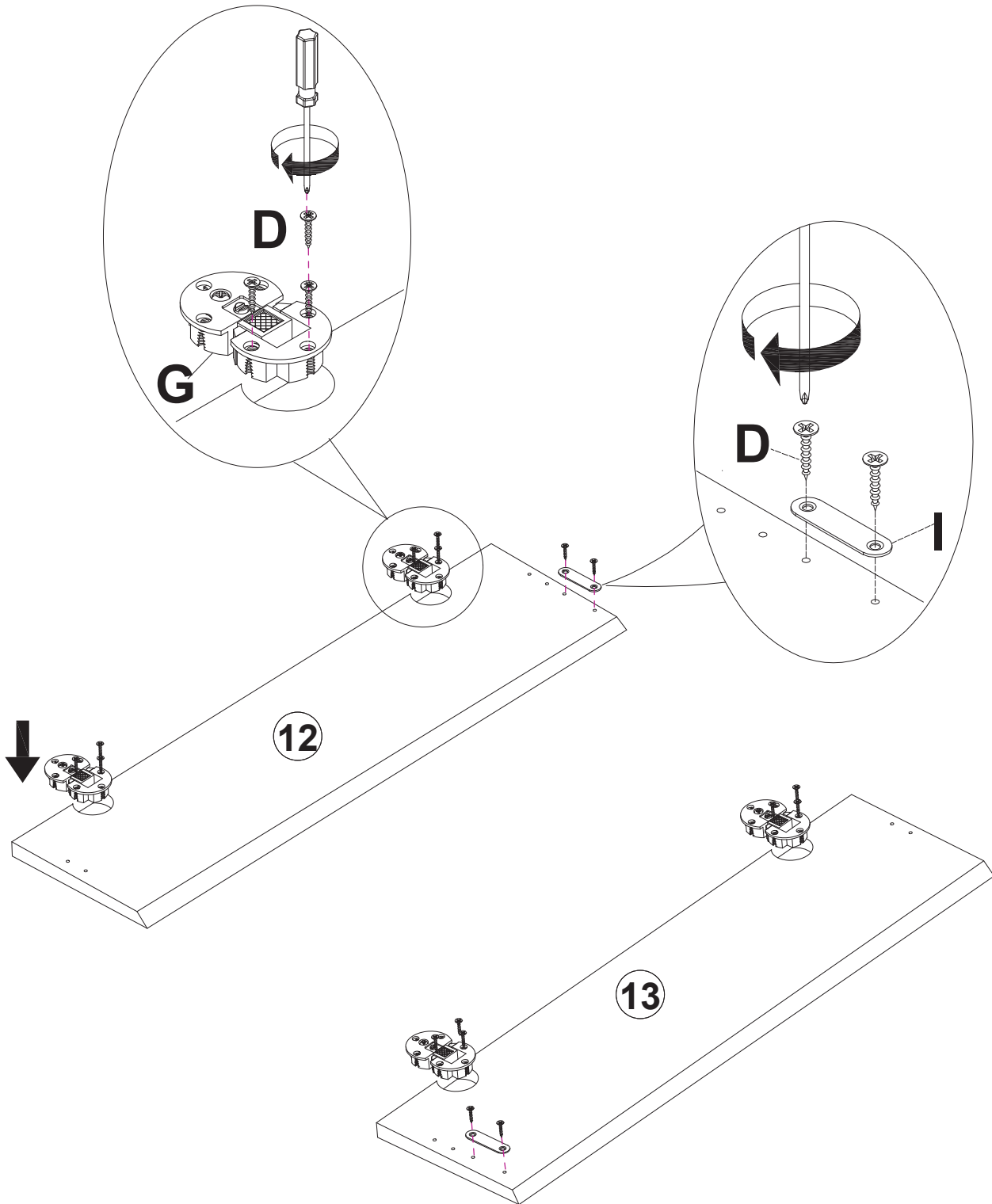
STEP 11

E		10 PCS
K		1 PC



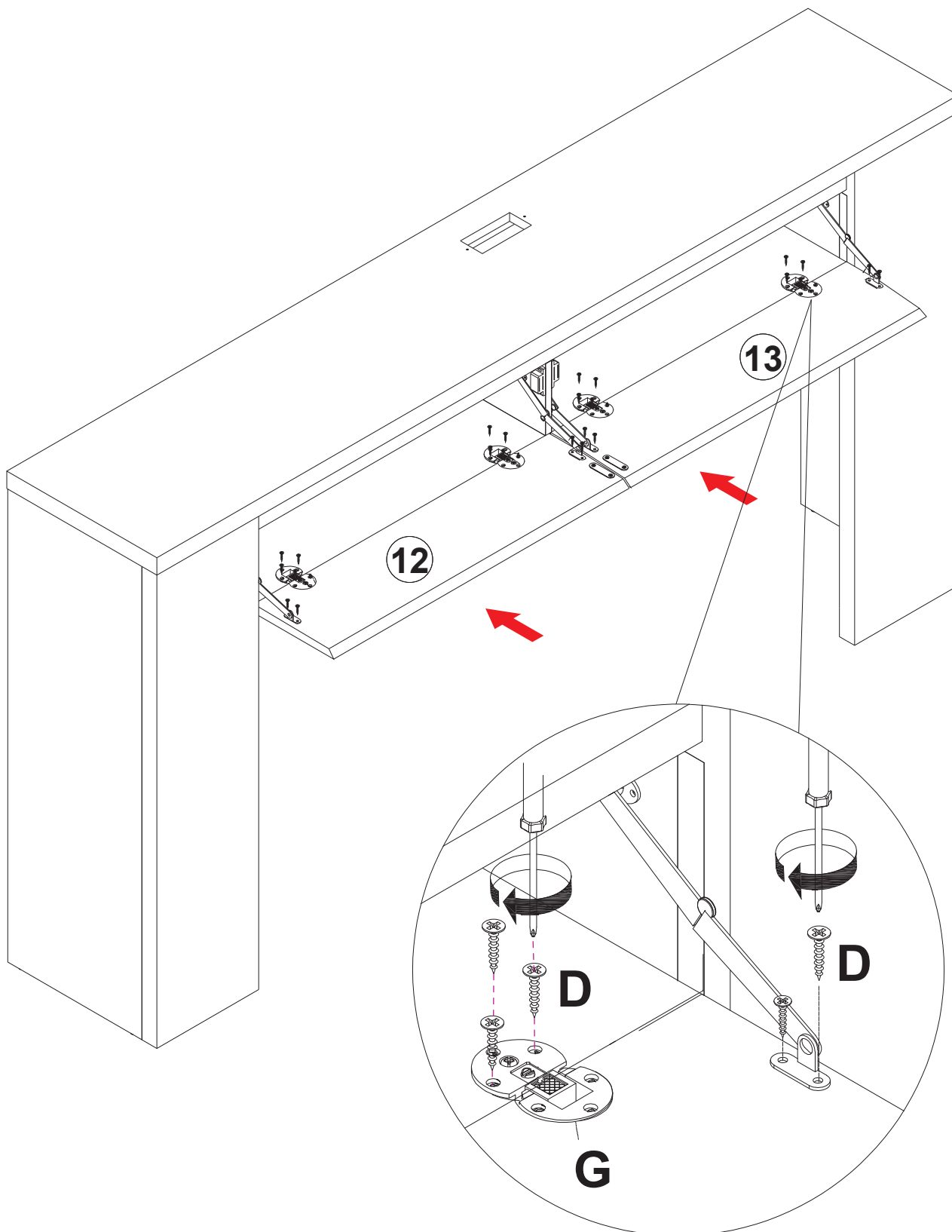
STEP 12

D		16 PCS
G		4 PCS
I		2 PCS





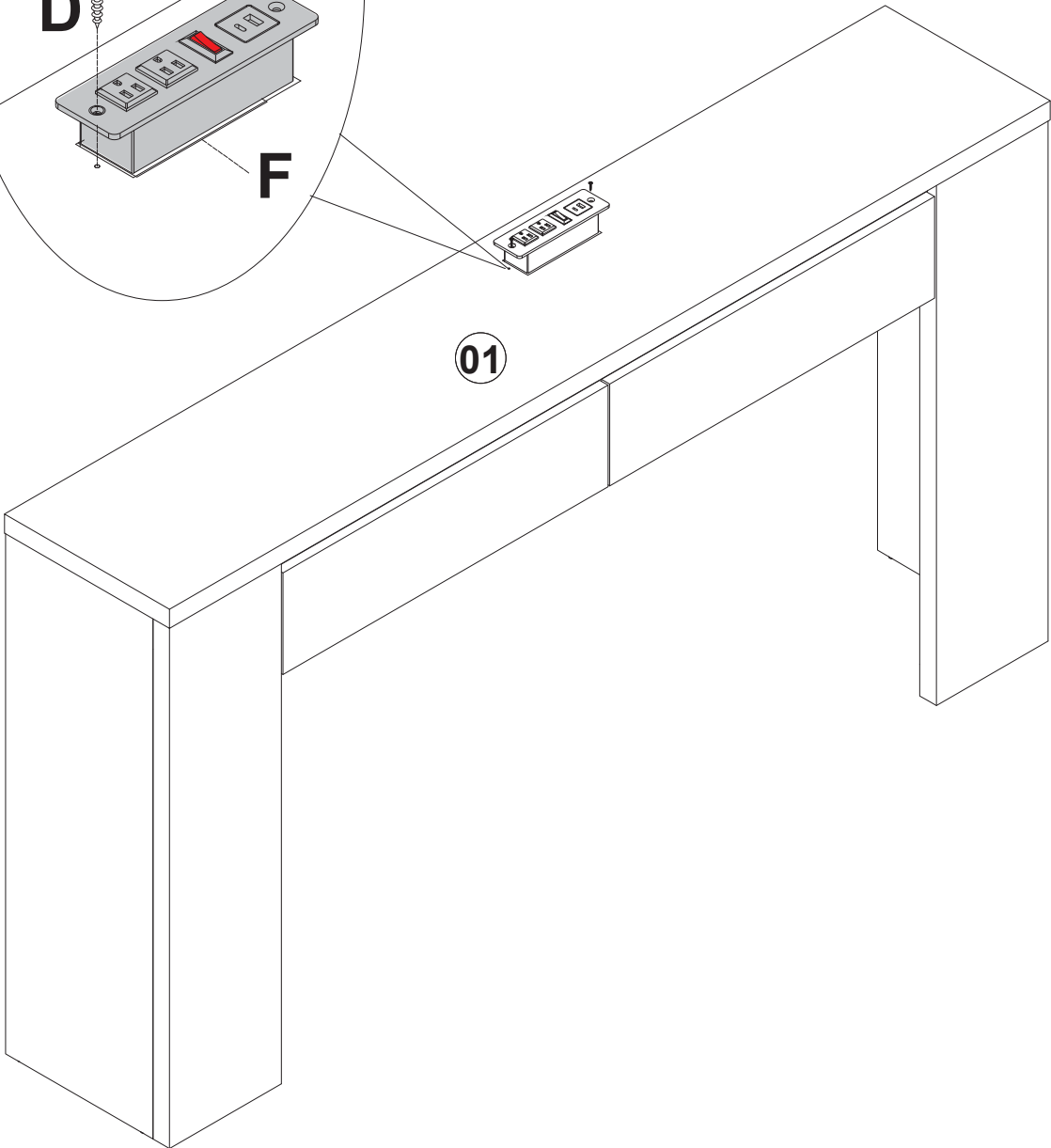
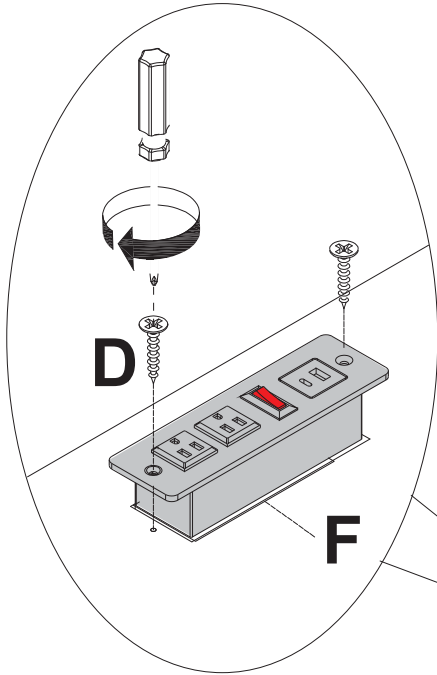
STEP 13

D		20 PCS
---	---	--------



STEP 14

F		1 PC
D		2 PCS




WARNING

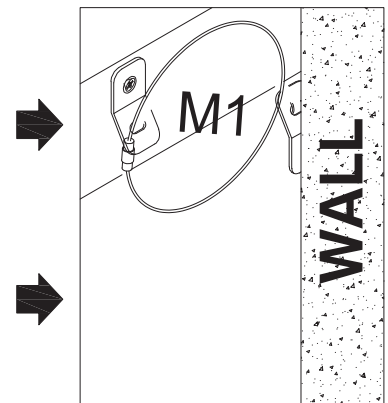
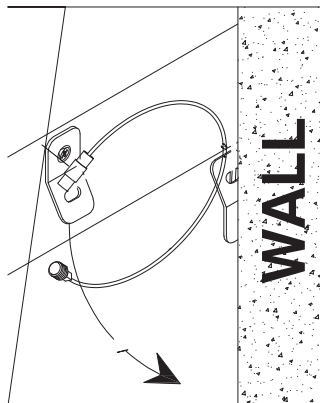
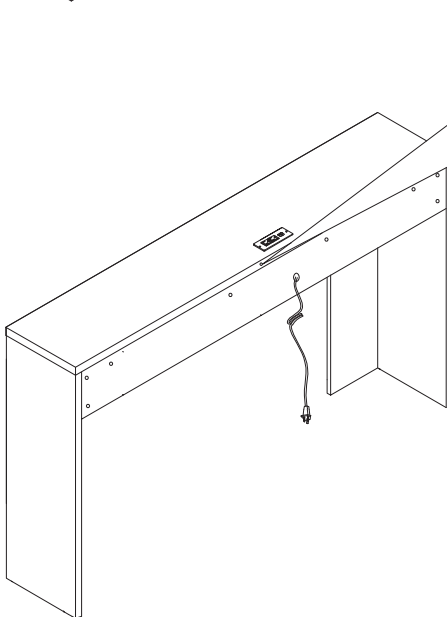
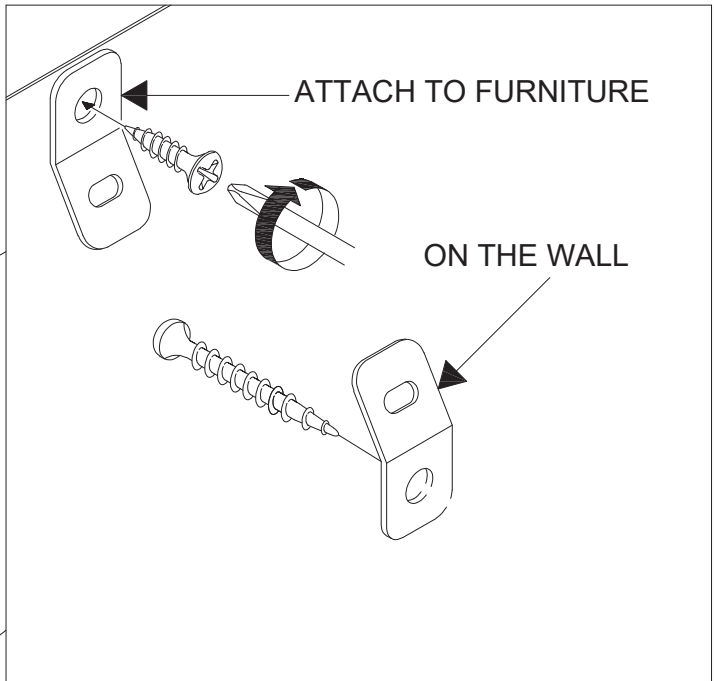
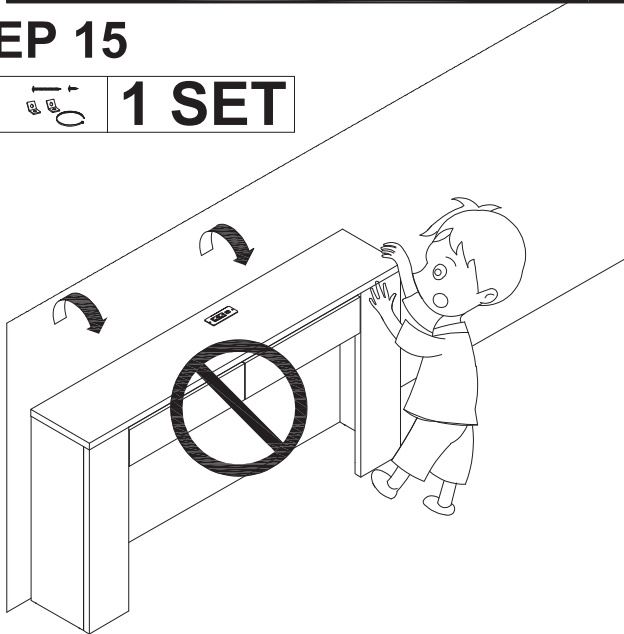


Children have died from furniture tipover. To reduce the risk of furniture tipover :

- ALWAYS install tipover restraint provided.
- NEVER put a TV on the product.
- NEVER allow children to stand, climb, or hang on drawers, doors or shelves.
- NEVER open more than one drawer at a time.
- Place heaviest items in the lowest drawers.

STEP 15

L  **1 SET**



Care & Maintenance

Do...



Wipe up spills immediately.



Dust and pick-up spills using a clean, non-colored, lint-free, dry cloth.



Use mild non-abrasive soap and water.

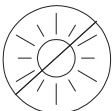
Don't...



Do not put hot items directly on furniture surface.



Do not clean furniture with harsh cleansers or polish.



Do not place furniture in direct sunlight.



Do not place furniture near heating or cooling vents.



Do not write on furniture without a padded barrier to protect the surface.



Do not place furniture outside. For indoor use only.