

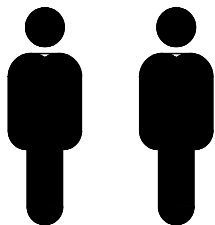
SCAN QR CODE FOR
ASSEMBLY VIDEO

Please read below before assembly

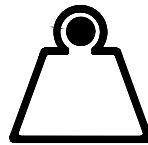
- Assemble the product on a flat, soft surface such as a carpet or cloth to prevent scratching the finish.
- Do not discard any content until assembly is complete to avoid accidentally discarding small parts or hardware.
- Take out all parts and hardware from box.
- Failure to follow these instructions may cause the bolts to misalign during assembly.

DISCLAIMERS:

- WHEN PROPERLY ASSEMBLED, THIS ITEM IS SAFE FOR INTENDED USE. SELLER IS NOT LIABLE FOR ANY DAMAGES RESULTING FROM ITEM BEING IMPROPERLY ASSEMBLED AFTER PURCHASE.
- BOLTS MAY LOOSEN DURING NORMAL EVERYDAY USE. THEY SHOULD BE INSPECTED AT LEAST EVERY 3 MONTHS AND RE-TIGHTENED AS NEEDED TO PREVENT DAMAGE OR INJURY, AND ENSURE STABILITY.



PEOPLE NEEDED



600

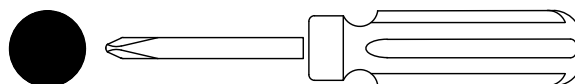
lbs per bed

WEIGHT LIMIT



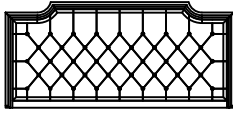
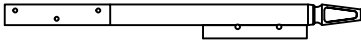
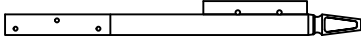

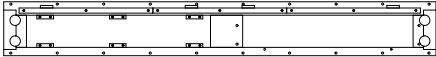
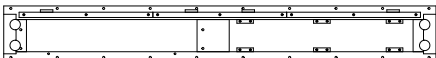





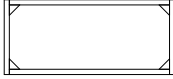
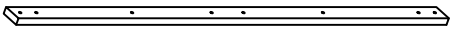
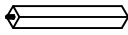

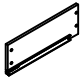
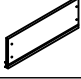


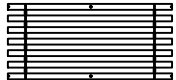
ESTIMATED TIME

TOOLS REQUIRED (NOT INCLUDED)

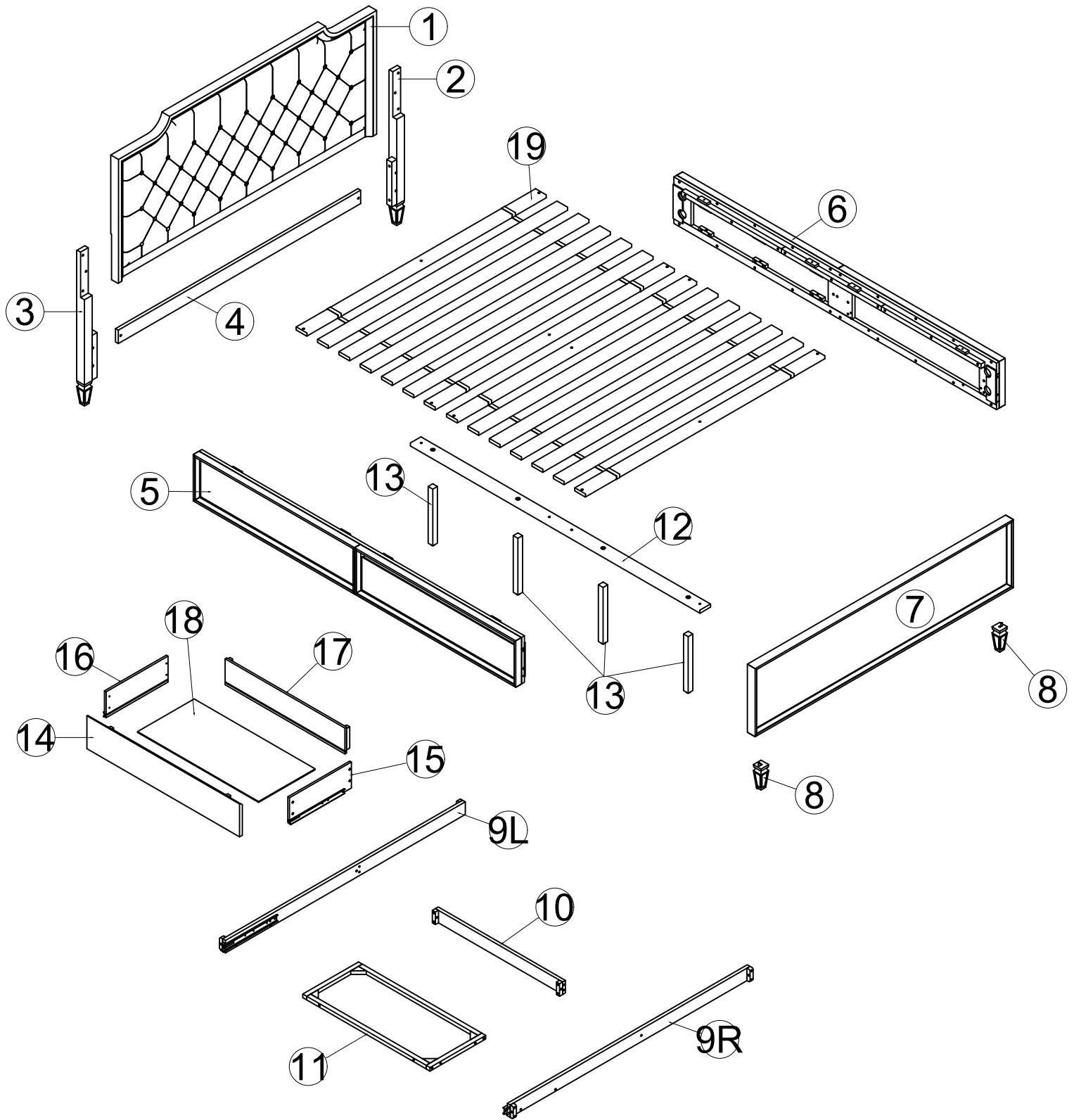


PHILLIPS HEAD SCREW DRIVER

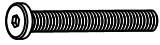














PARTS LIST

①	HEADBOARD PANEL		1 PC
②	RIGHT HEADBOARD LEG		1 PC
③	LEFT HEADBOARD LEG		1 PC
④	HEADBOARD STRETCHER		1 PC
⑤	LEFT SIDE RAIL		1 PC
⑥	RIGHT SIDE RAIL		1 PC
⑦	FOOTBOARD		1 PC
⑧	FOOTBOARD LEG		2 PCS
⑨L	LEFT SLIDER SUPPORT		1 PC
⑨R	RIGHT SLIDER SUPPORT		1 PC
⑩	SUPPORT BAR		1 PC
⑪	SUPPORT FRAME		1 PC
⑫	MIDDLE SUPPORT		1 PC
⑬	SUPPORT LEG		4 PCS
⑭	DRAWER FRONT PANEL		1 PC
⑮	DRAWER RIGHT SIDE PANEL		1 PC
⑯	DRAWER LEFT SIDE PANEL		1 PC
⑰	DRAWER BACK PANEL		1 PC
⑱	DRAWER BOTTOM PANEL		1 PC
⑲	SLAT ROLL		2 SETS

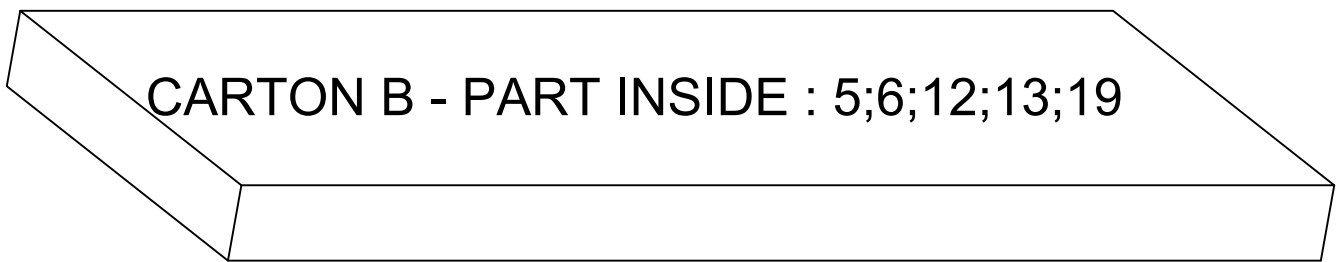
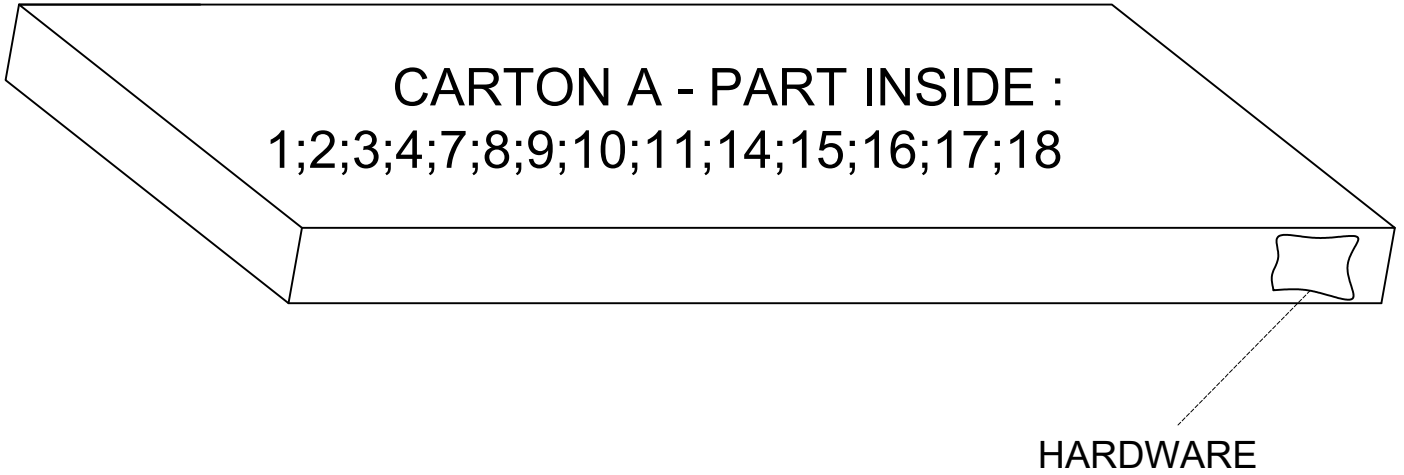
PARTS LIST







HARDWARE LIST

A	LARGE BOLT - Ø5/16" x 1-1/2"		8 PCS
B	LARGE LOCK WASHER - Ø5/16"		16 PCS
C	LARGE FLAT WASHER - Ø5/16"		8 PCS
D	SMALL BOLT - Ø1/4" x 1-1/2"		16 PCS
E	SMALL LOCK WASHER - Ø1/4"		18 PCS
F	SMALL FLAT WASHER - Ø1/4" x Ø5/8"		16 PCS
G	LONG BOLT - Ø1/4" x 3-1/2"		2 PCS
H	SMALL FLAT WASHER - Ø1/4" x Ø1/2"		2 PCS
I	STUD BOLT - Ø5/16" x 3-1/8"		8 PCS
J	CRESCENT WASHER - Ø5/16"		8 PCS
K	HEXAGON NUT - Ø5/16"		8 PCS
L	SCREW - Ø1/8" x 1-1/4"		8 PCS
M	SCREW - Ø1/8" x 3/4"		8 PCS
N	ALLEN KEY		1 PC
O	WRENCH		1 PC

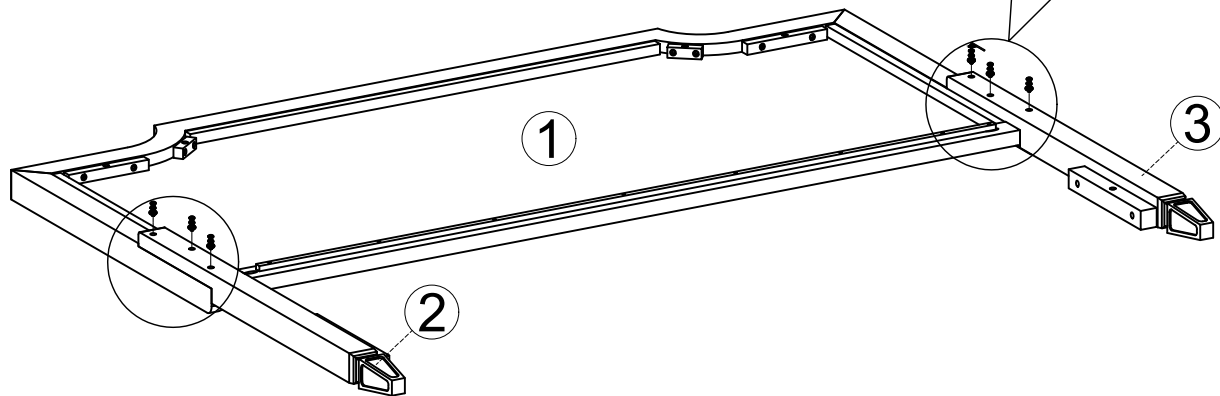
STEP 1 LOCATE PARTS AND HARDWARE PER BELOW DRAWING







STEP 2

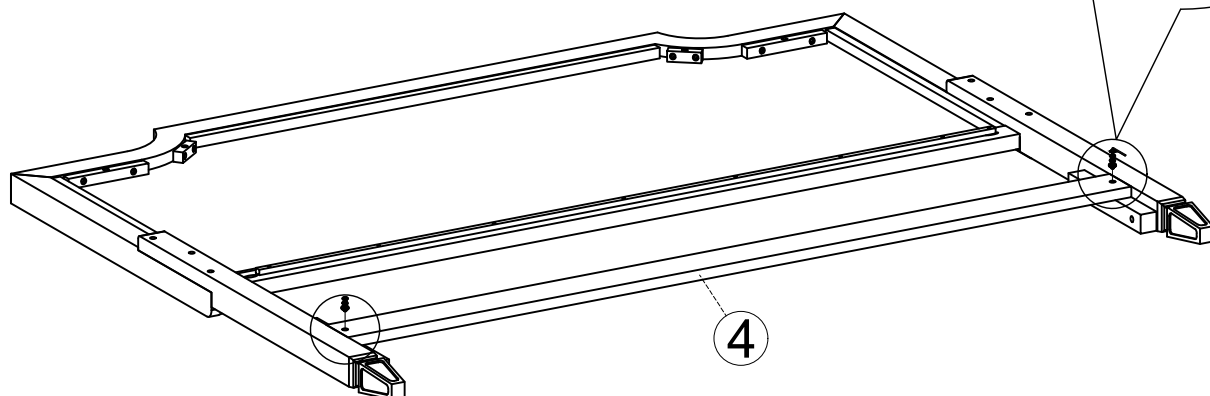
A		6 PCS
B		6 PCS
C		6 PCS
N		1 PC

BACK OF HEADBOARD







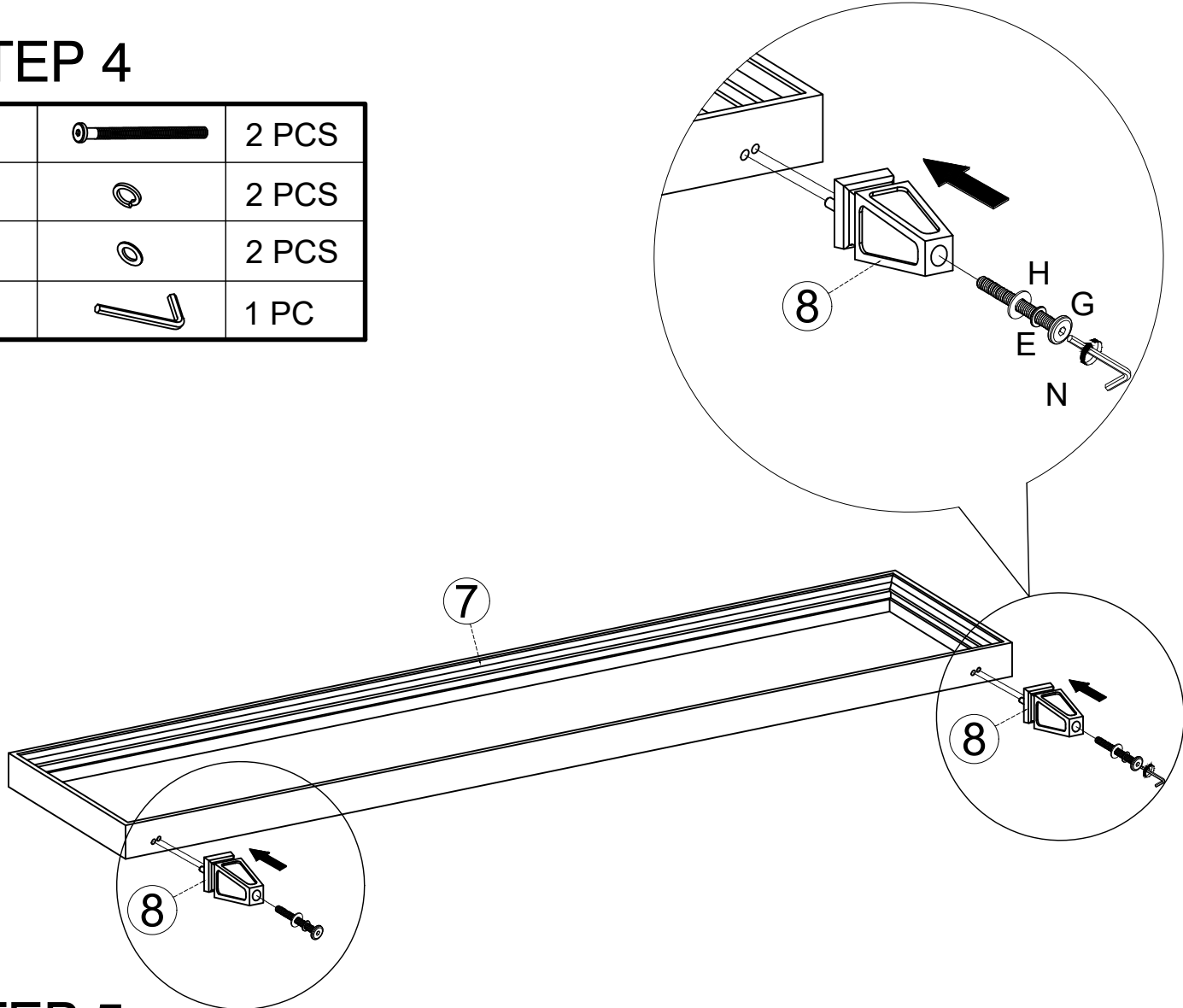
STEP 3

A		2 PCS
B		2 PCS
C		2 PCS
N		1 PC



STEP 4

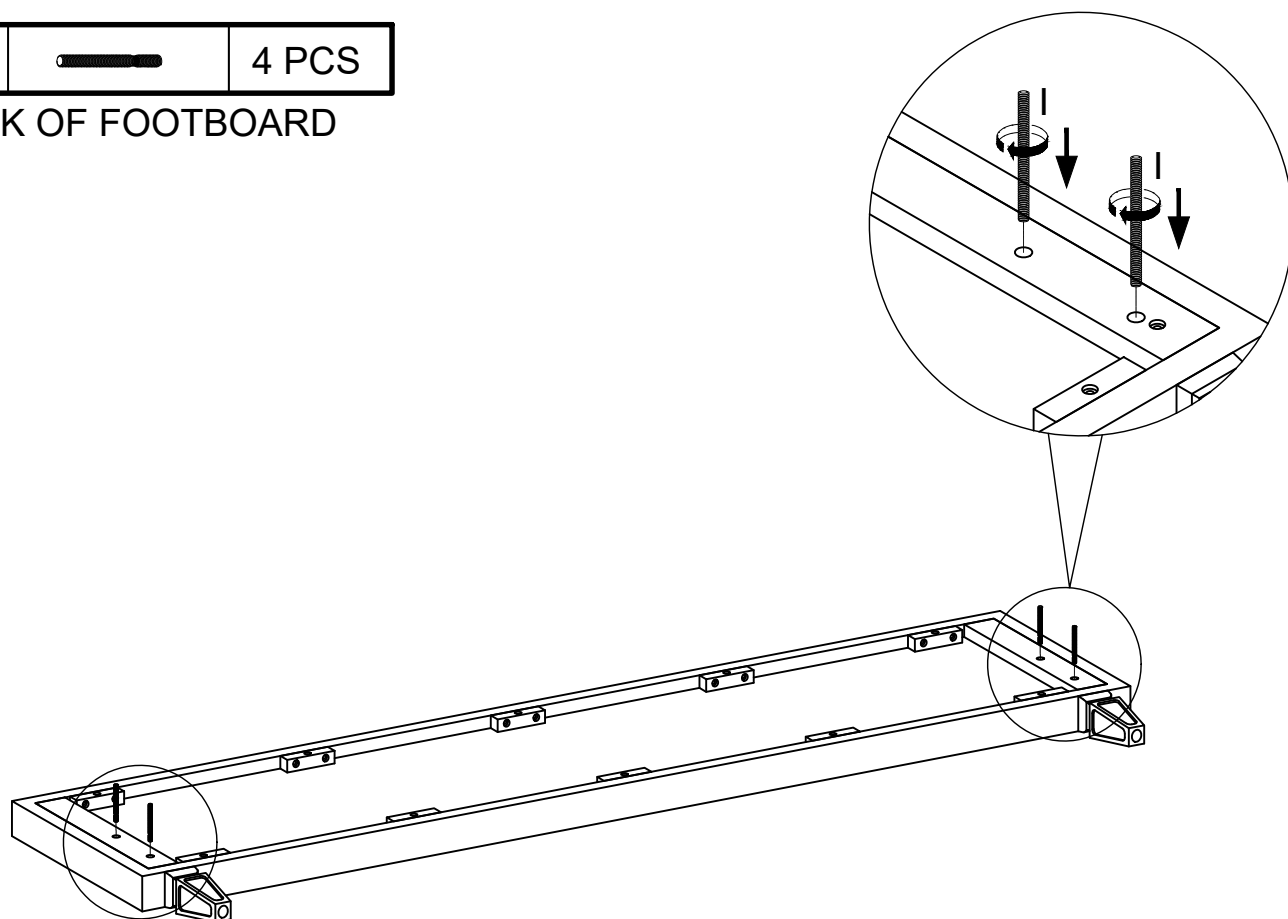
G		2 PCS
E		2 PCS
H		2 PCS
N		1 PC



STEP 5

I		4 PCS
---	---	-------

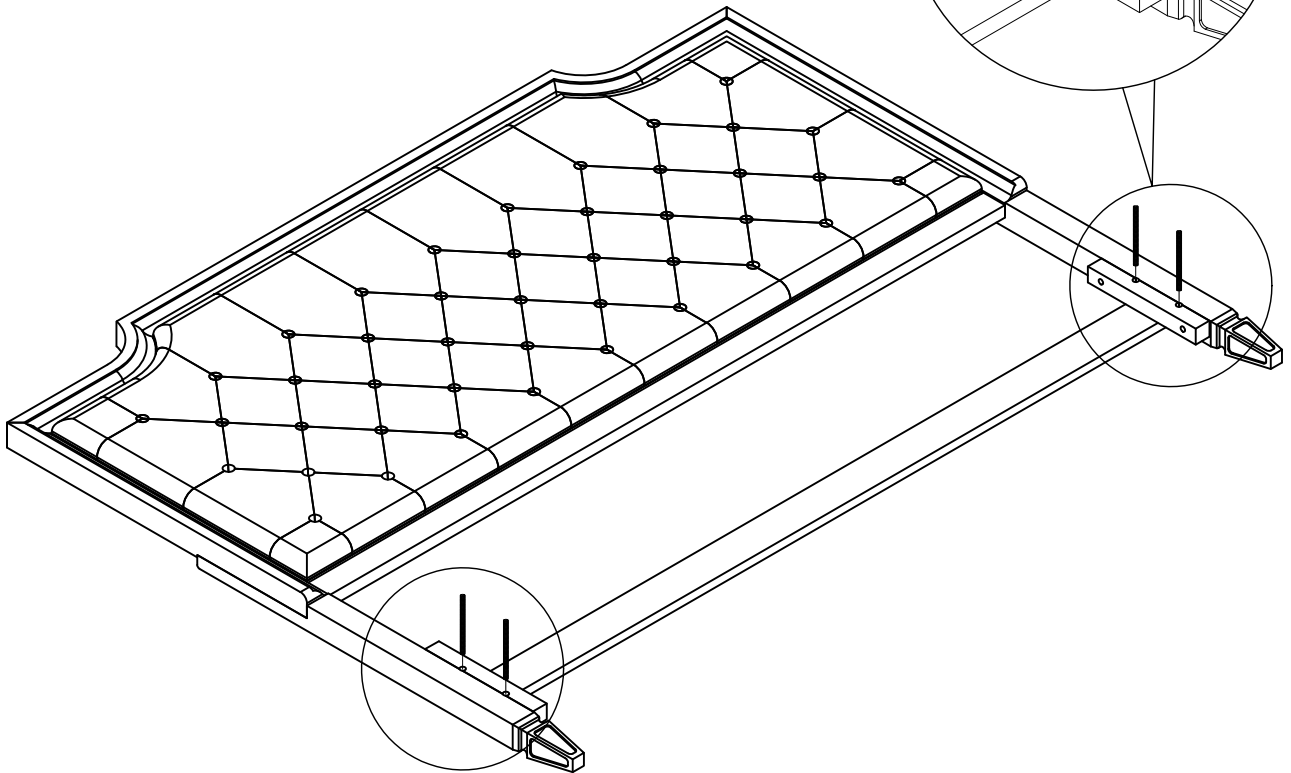
* BACK OF FOOTBOARD



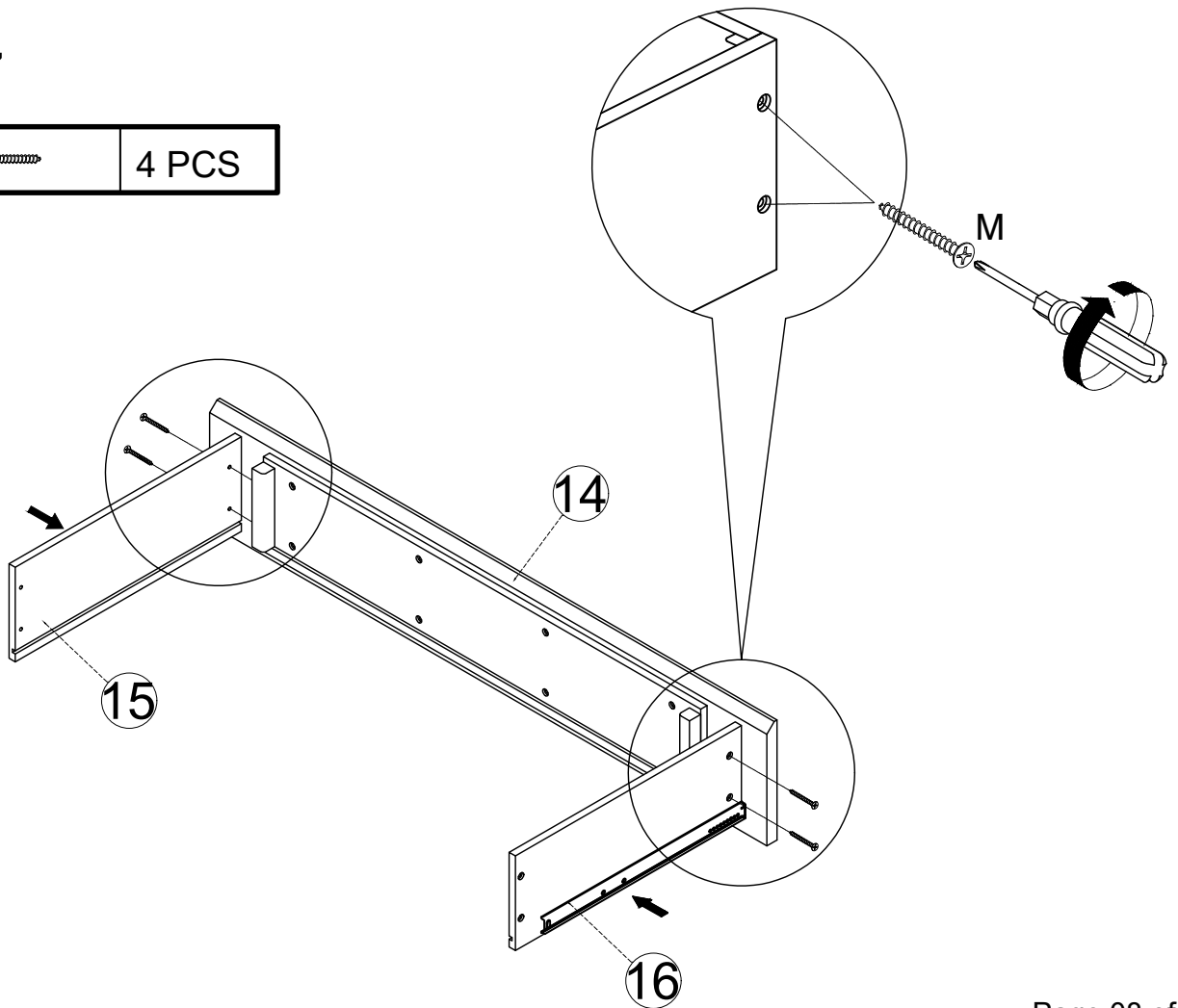
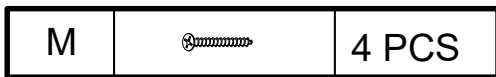
STEP 6



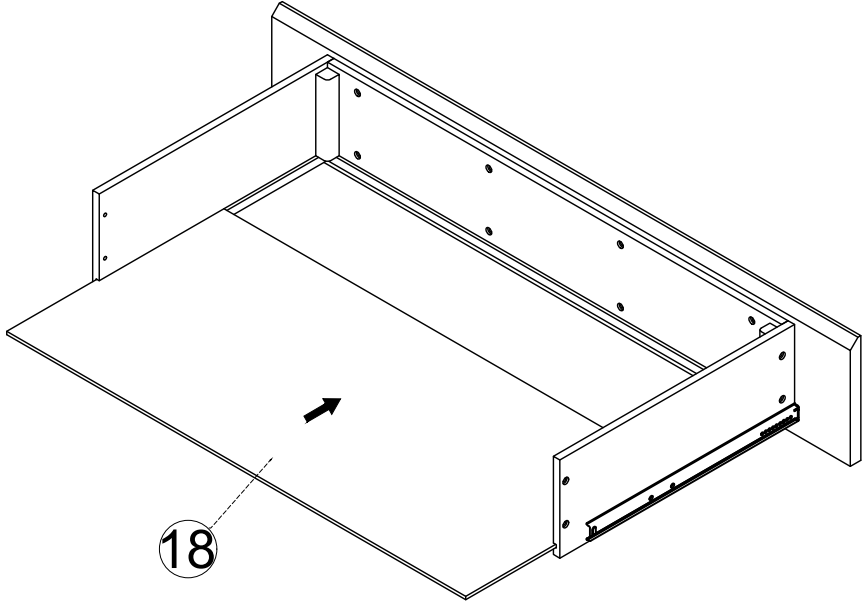
* PLEASE FLIP THE FRONT FACE UP



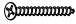
STEP 7

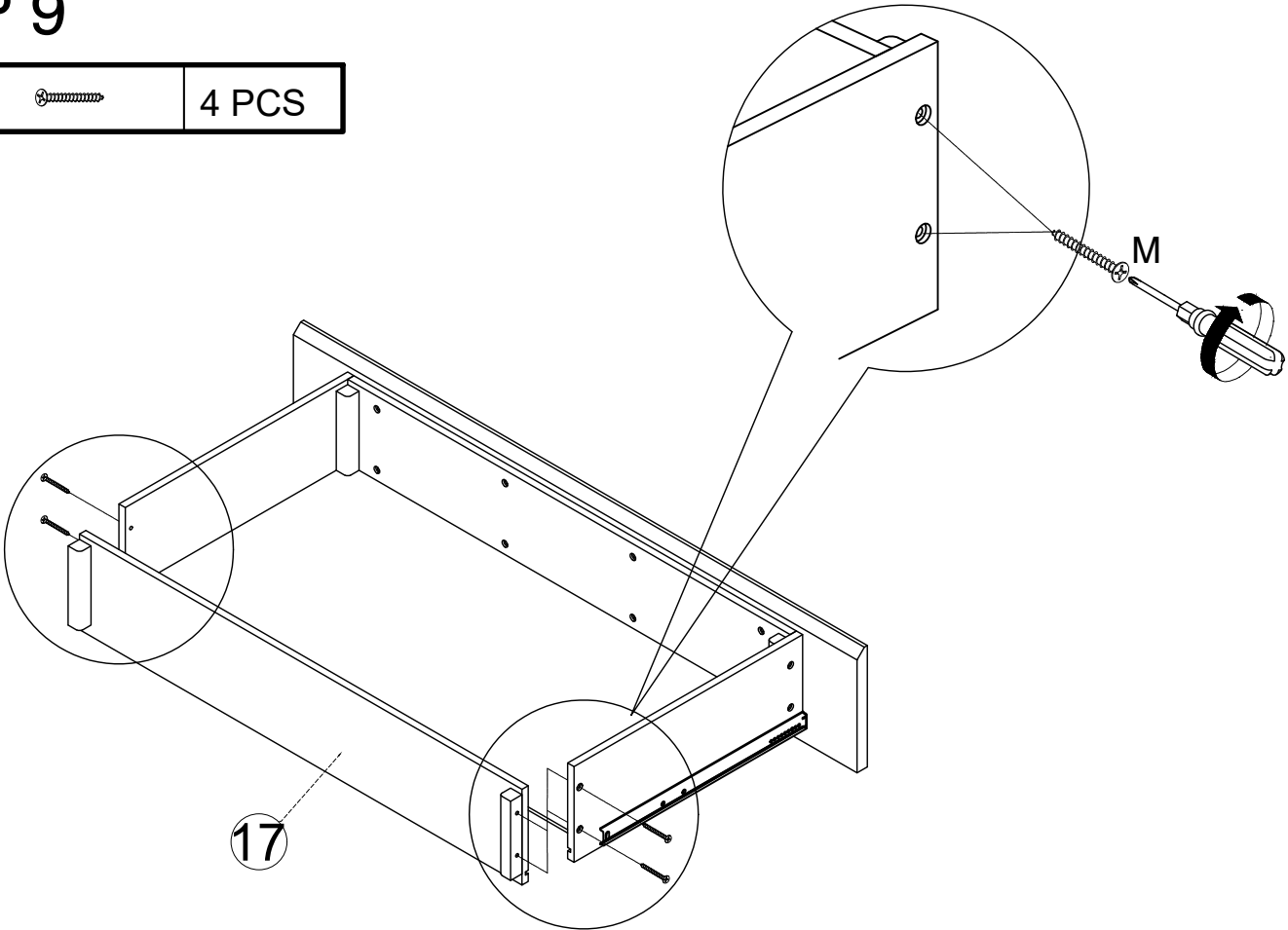


STEP 8







STEP 9

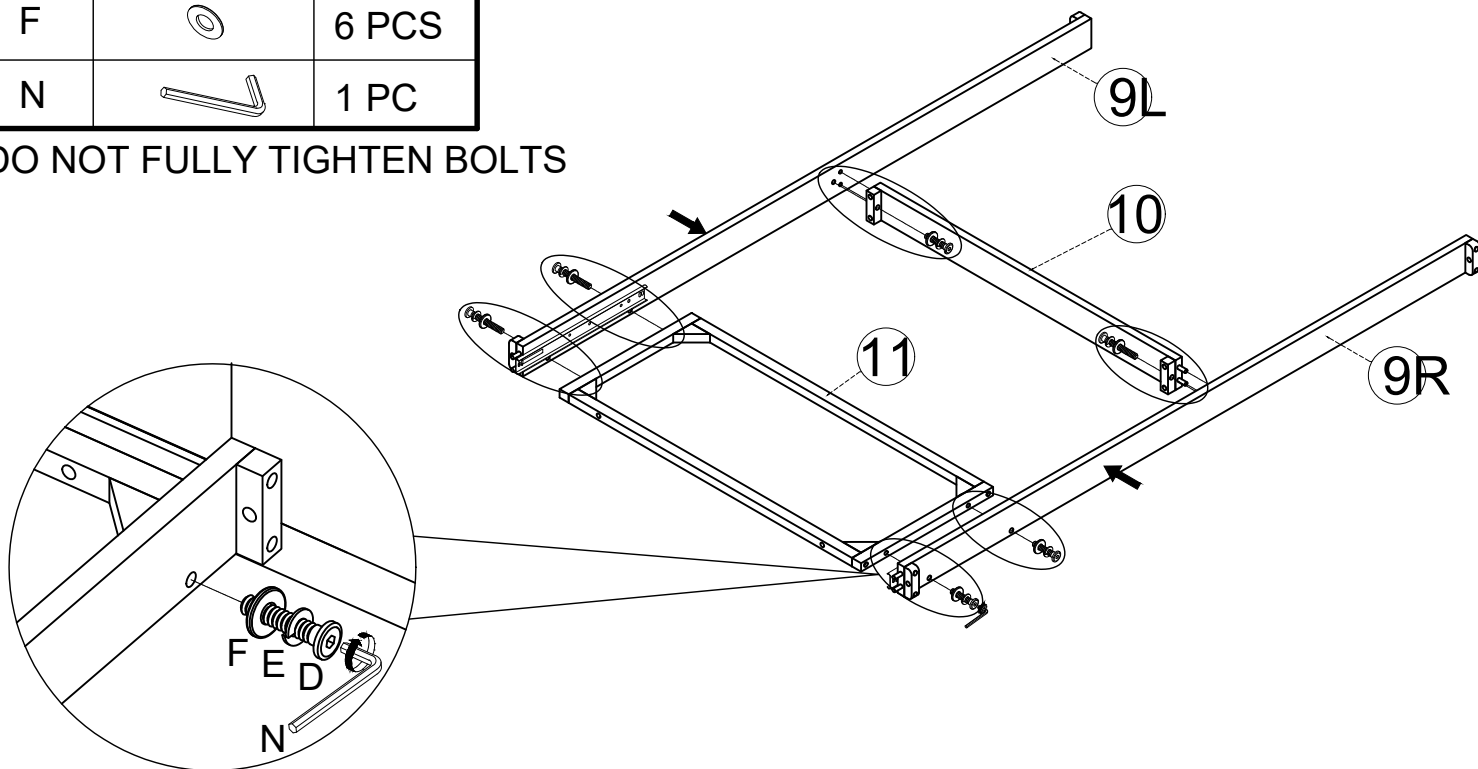
M		4 PCS
---	---	-------







STEP 10

D		6 PCS
E		6 PCS
F		6 PCS
N		1 PC

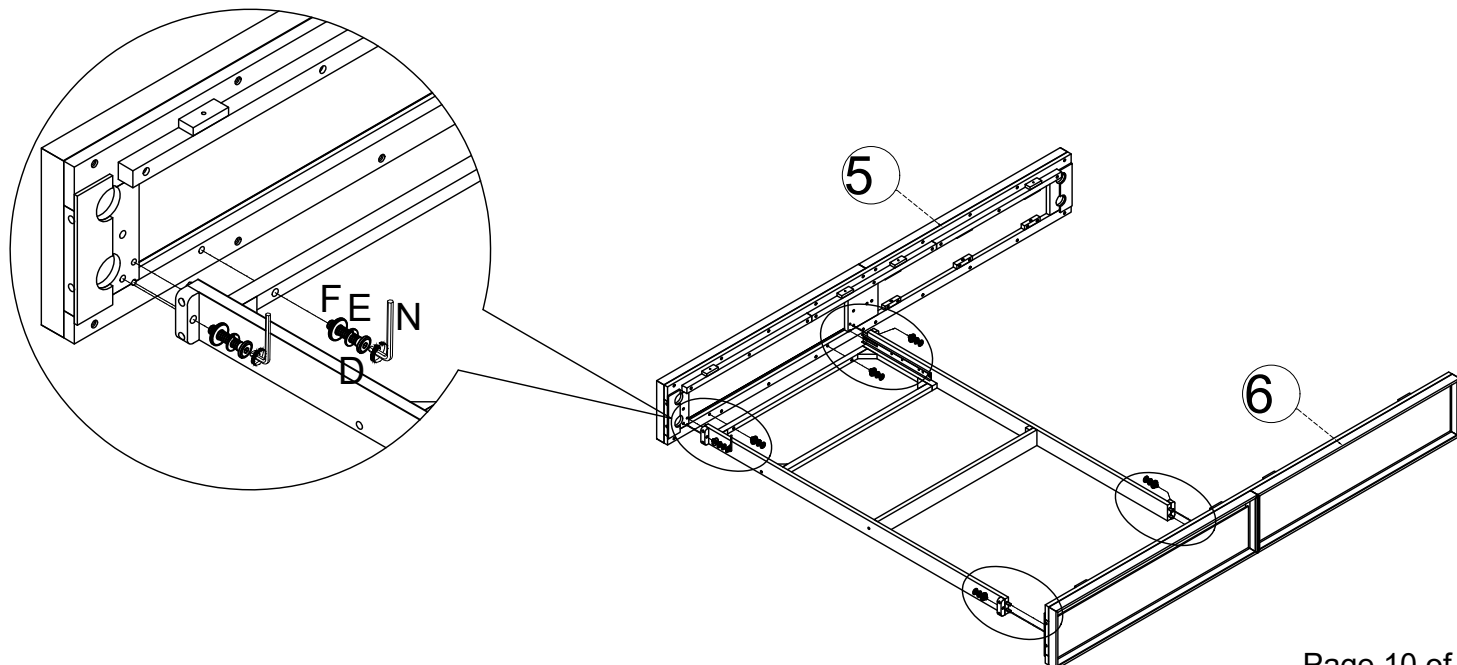
DO NOT FULLY TIGHTEN BOLTS



STEP 11-L

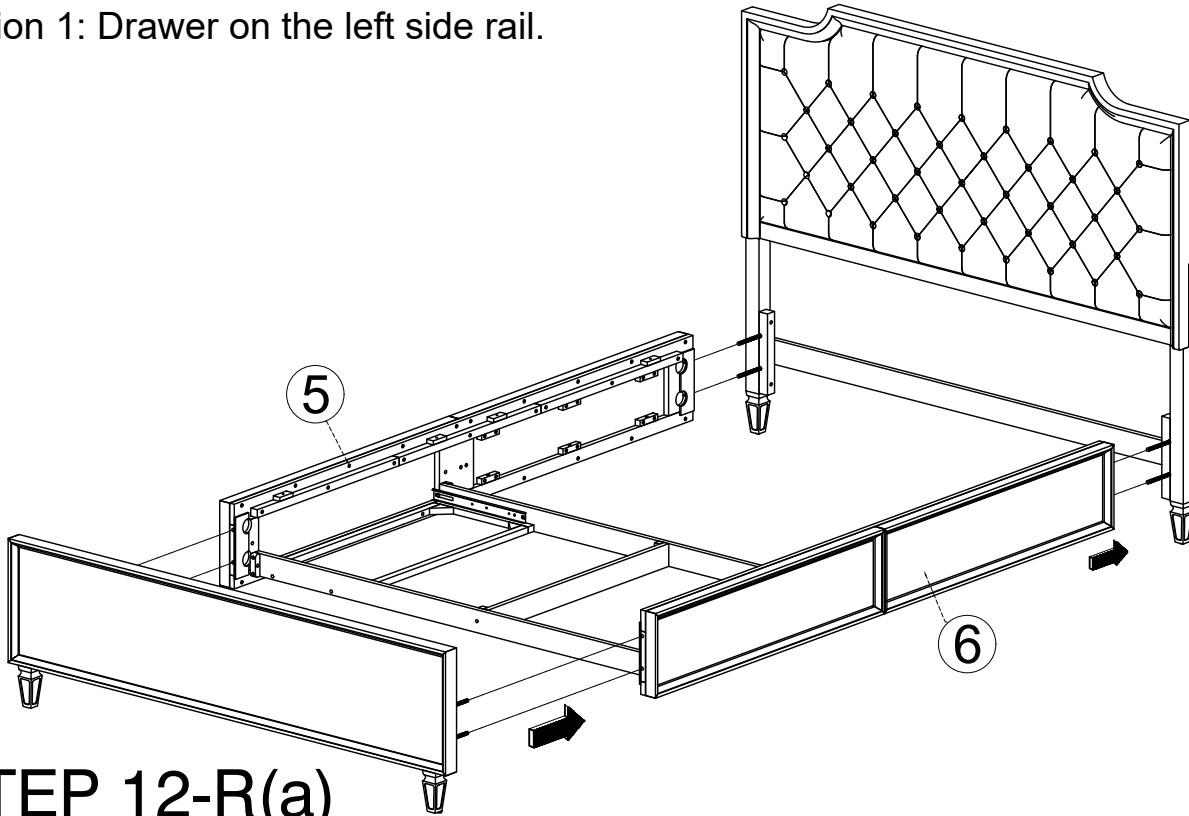
D		6 PCS
E		6 PCS
F		6 PCS
N		1 PC

Option 1: Drawer on the left side rail.







STEP 12-L

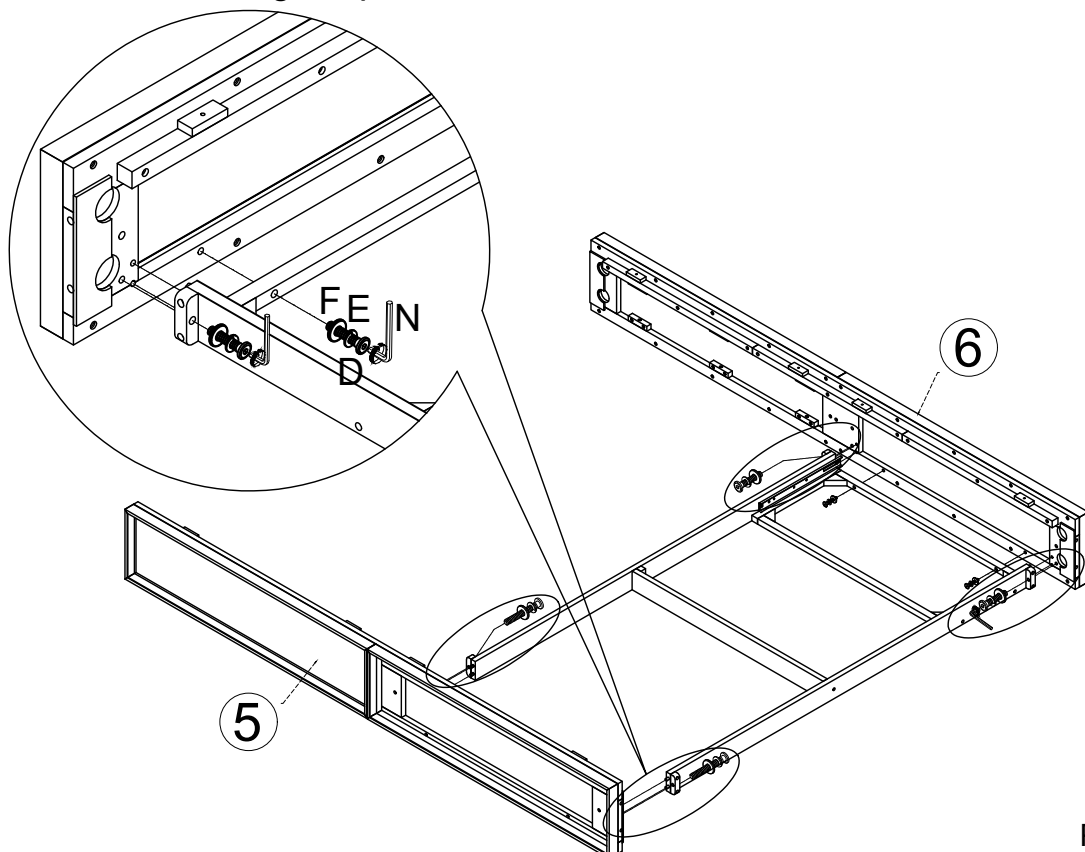
Option 1: Drawer on the left side rail.



STEP 12-R(a)

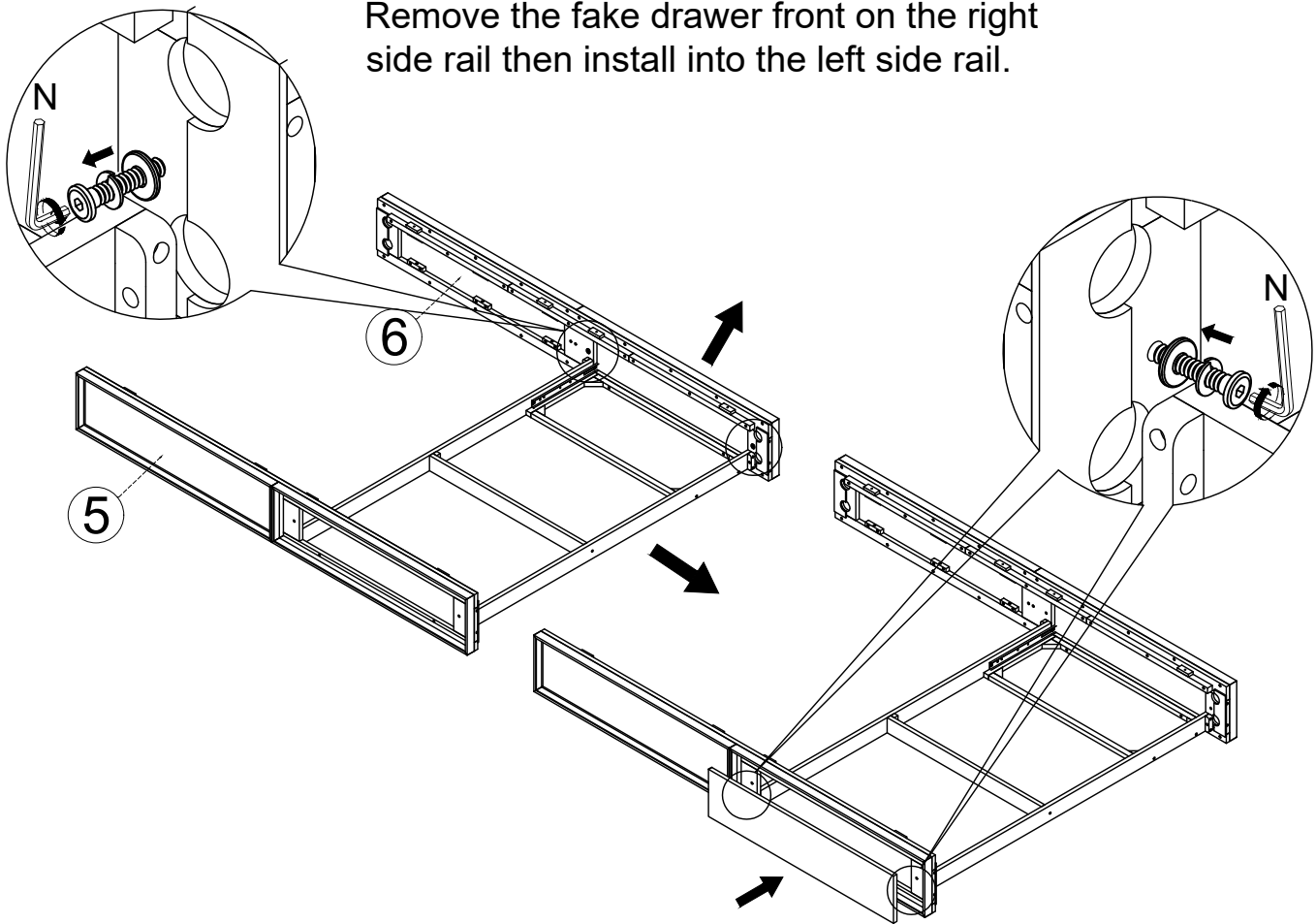
D		6 PCS
E		6 PCS
F		6 PCS
N		1 PC

Option 2: Drawer on the right side rail.
Install the hardware following Step 11-L.



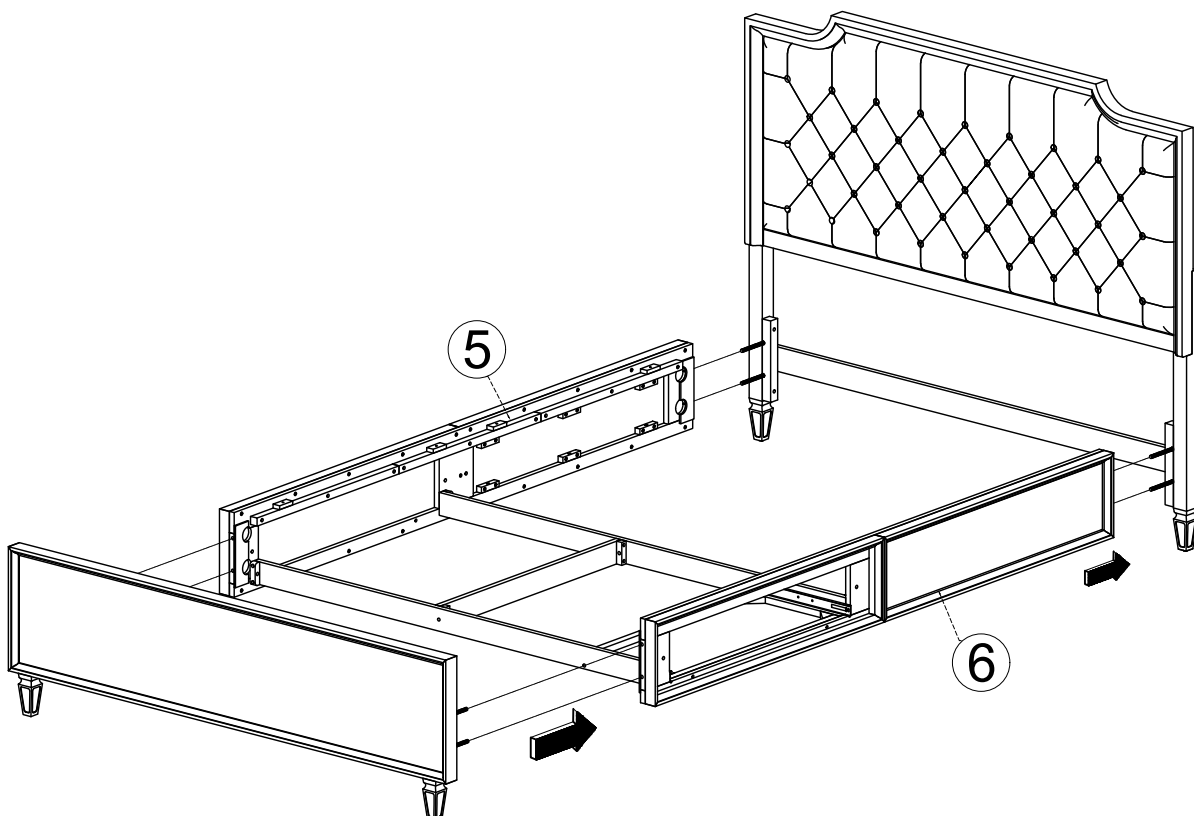
STEP 12-R(b)

Remove the fake drawer front on the right side rail then install into the left side rail.







STEP 12-R

Option 2: Drawer on the right side rail.

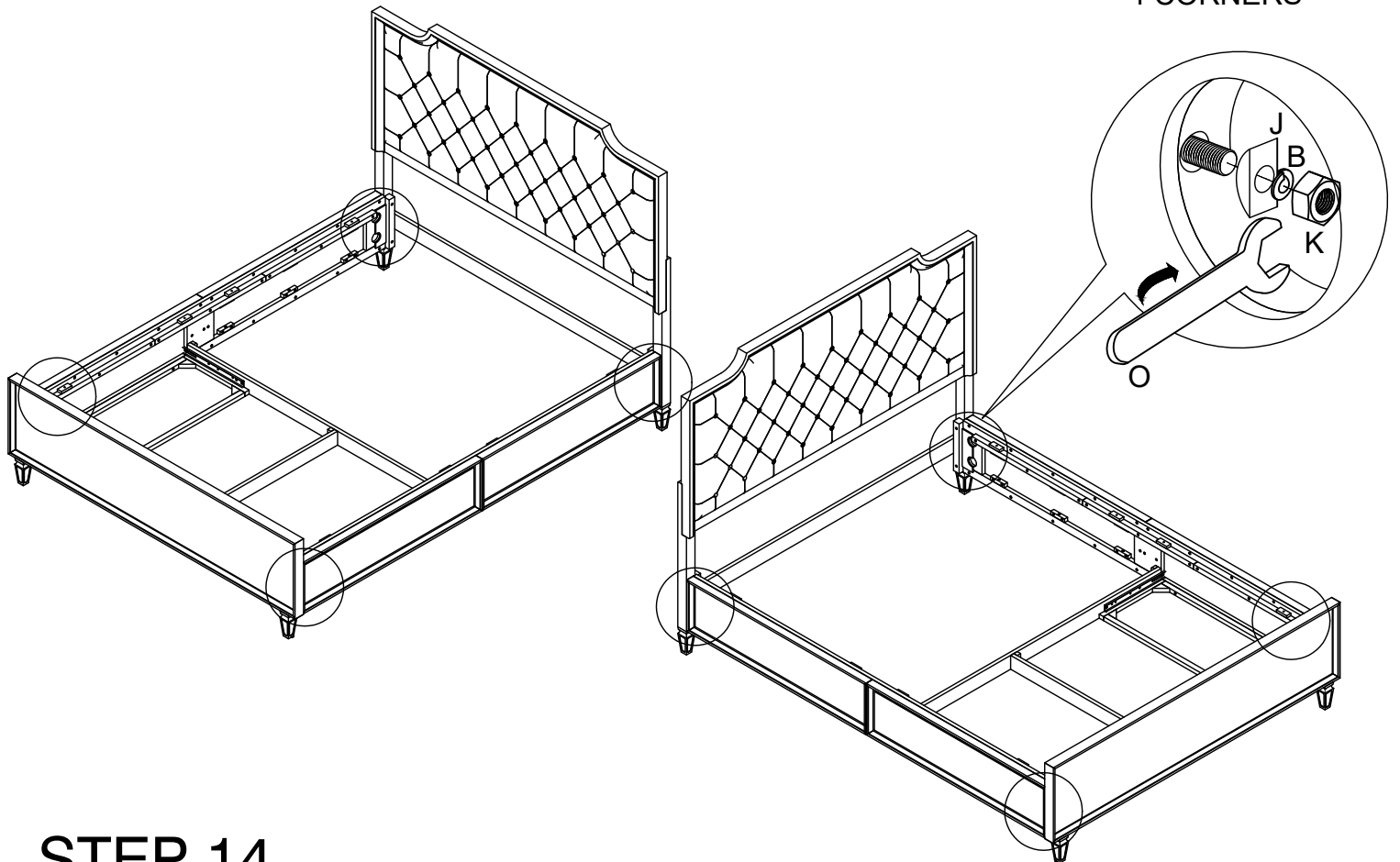


STEP 13

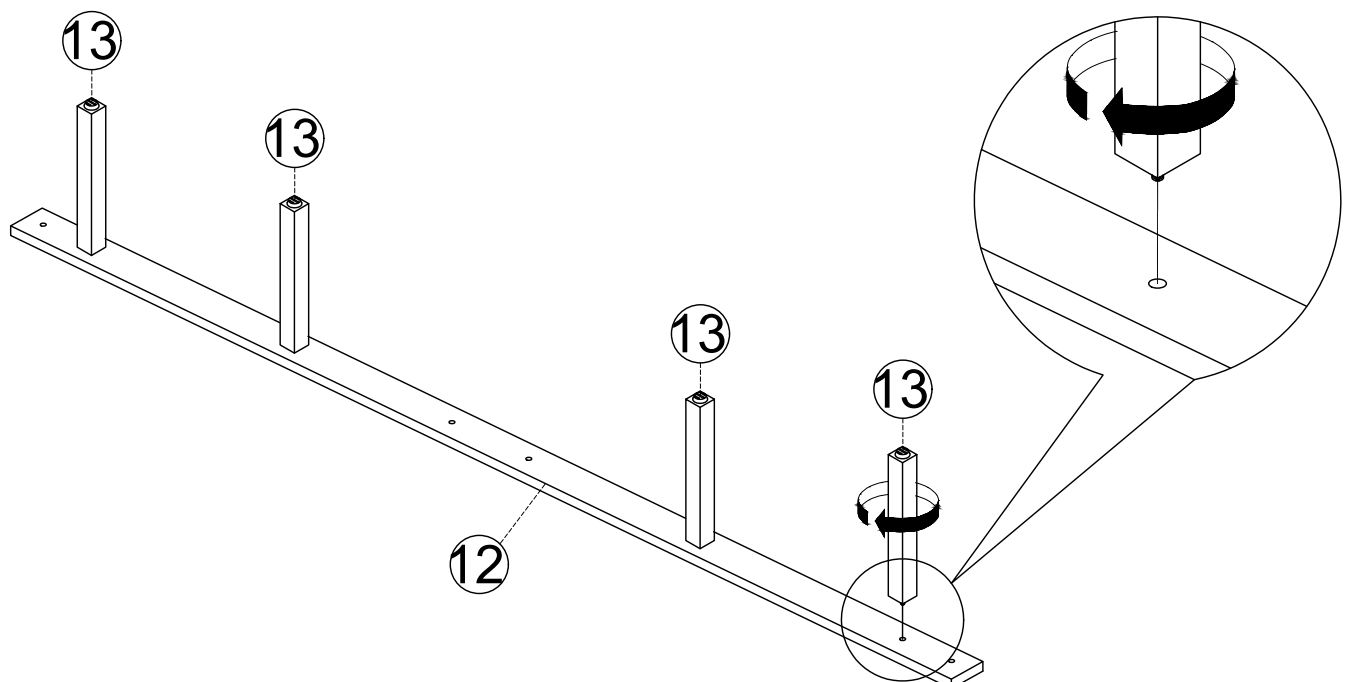
J		8 PCS
B		8 PCS
K		8 PCS
O		1 PC

TIGHTEN ALL BOLTS

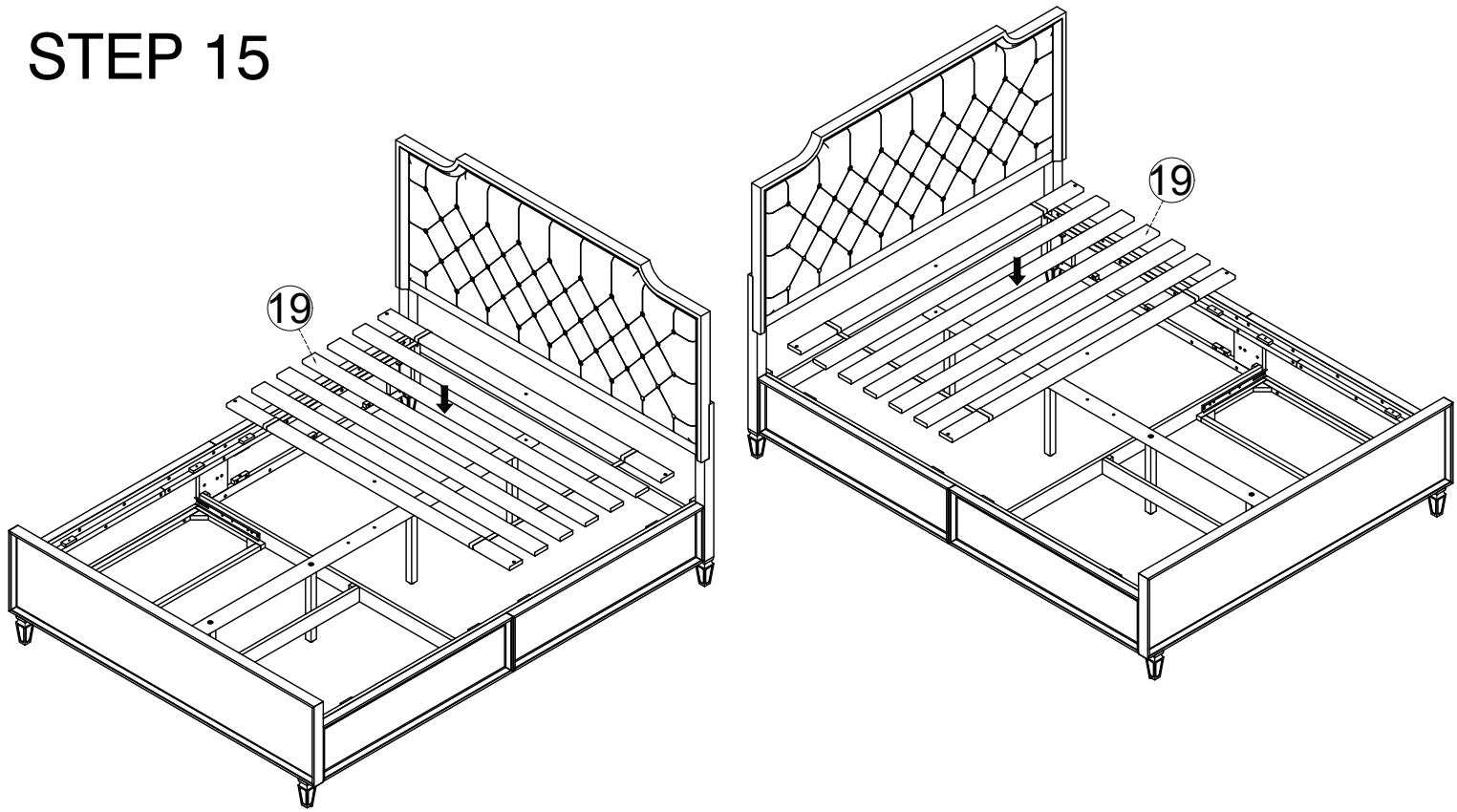
REPEAT FOR ALL 4 CORNERS







STEP 14

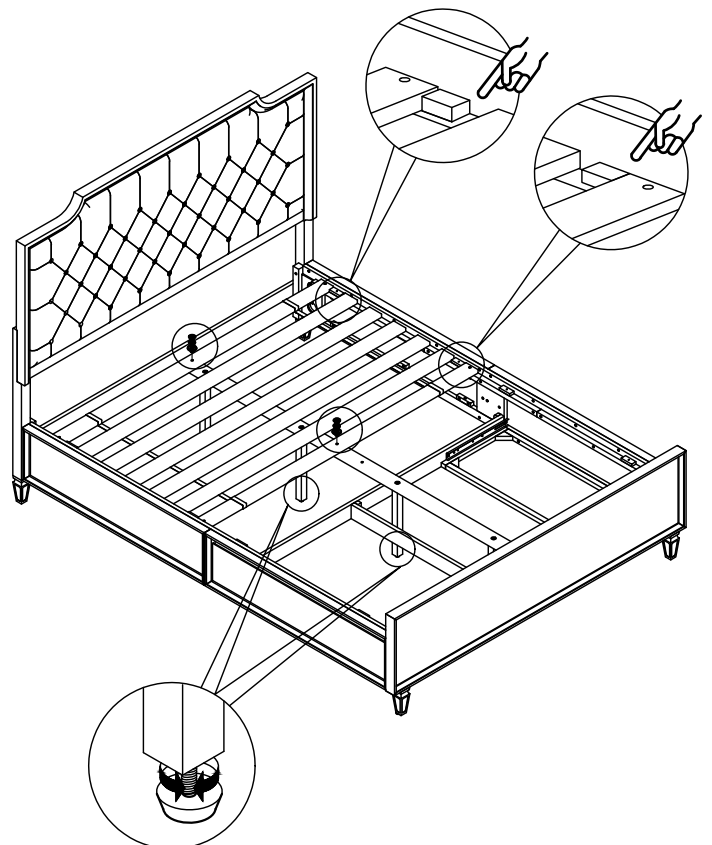
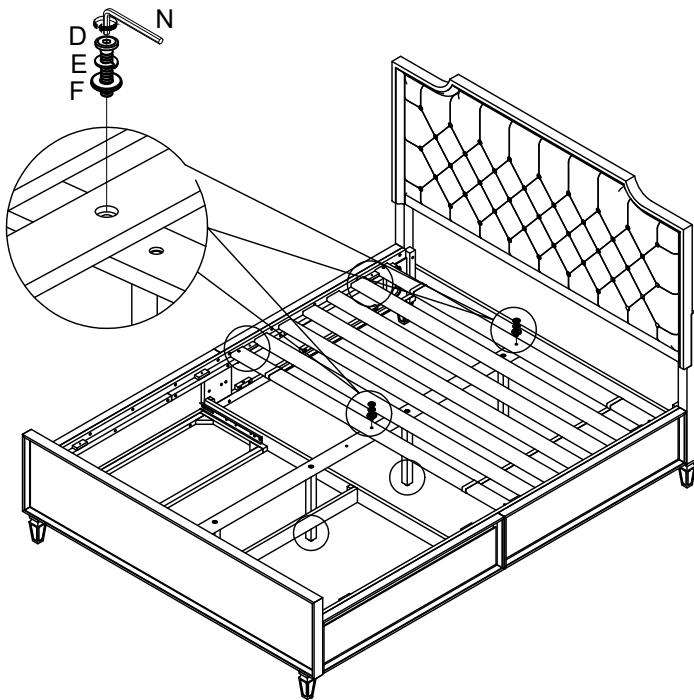


STEP 15







STEP 16

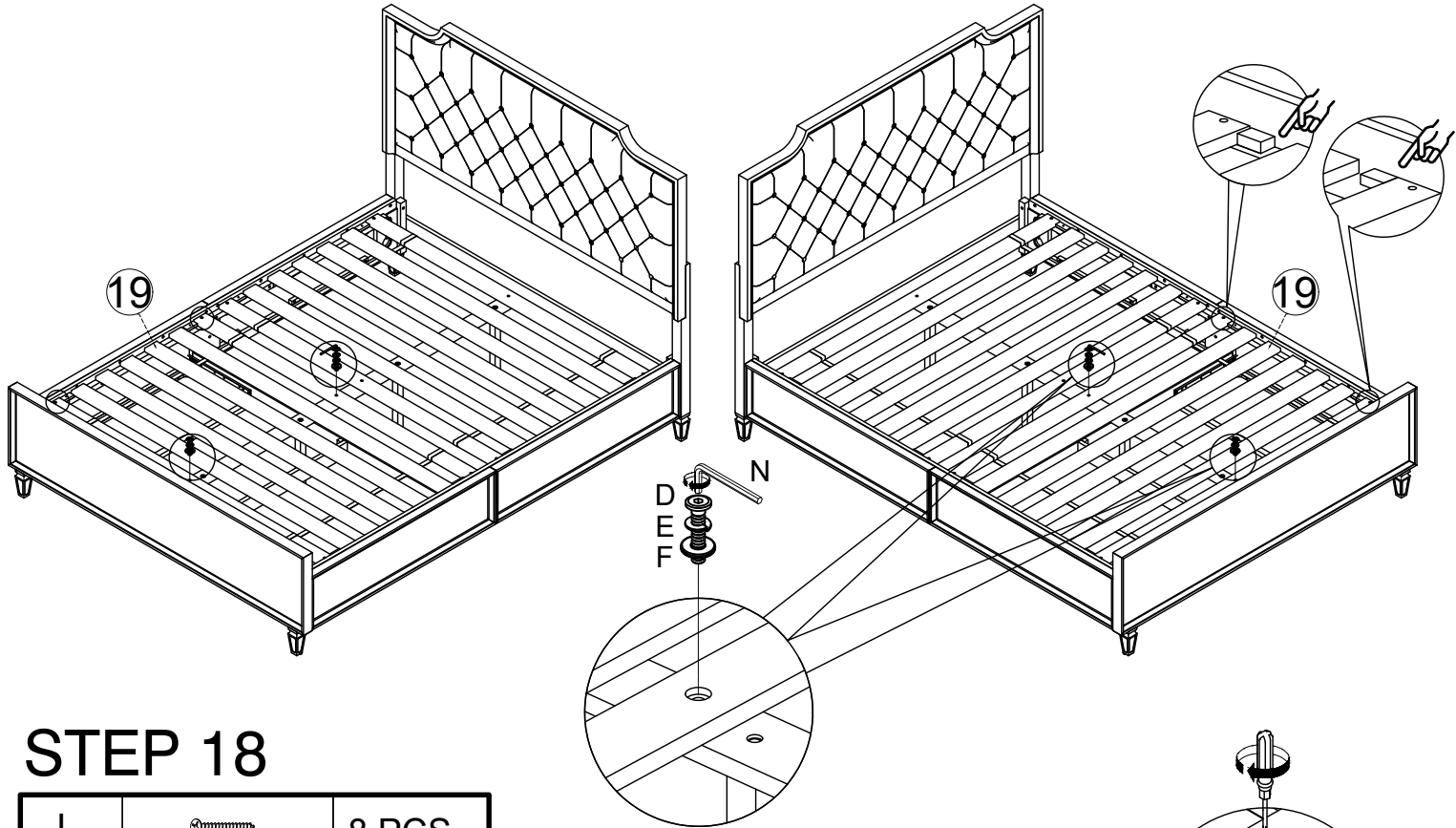
D		2 PCS
E		2 PCS
F		2 PCS
N		1 PC



ADJUST LEVELERS
FOR UNEVEN FLOOR

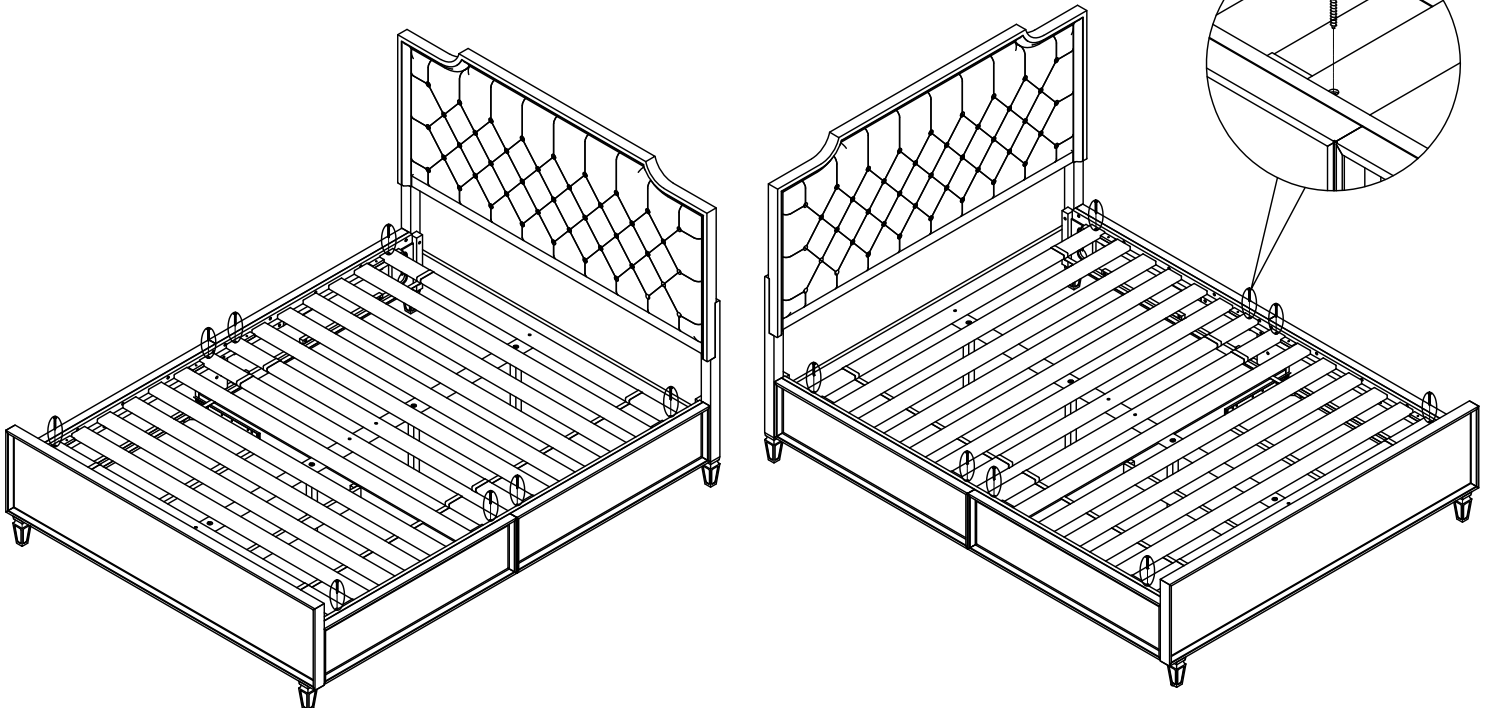
STEP 17

D		2 PCS
E		2 PCS
F		2 PCS
N		1 PC

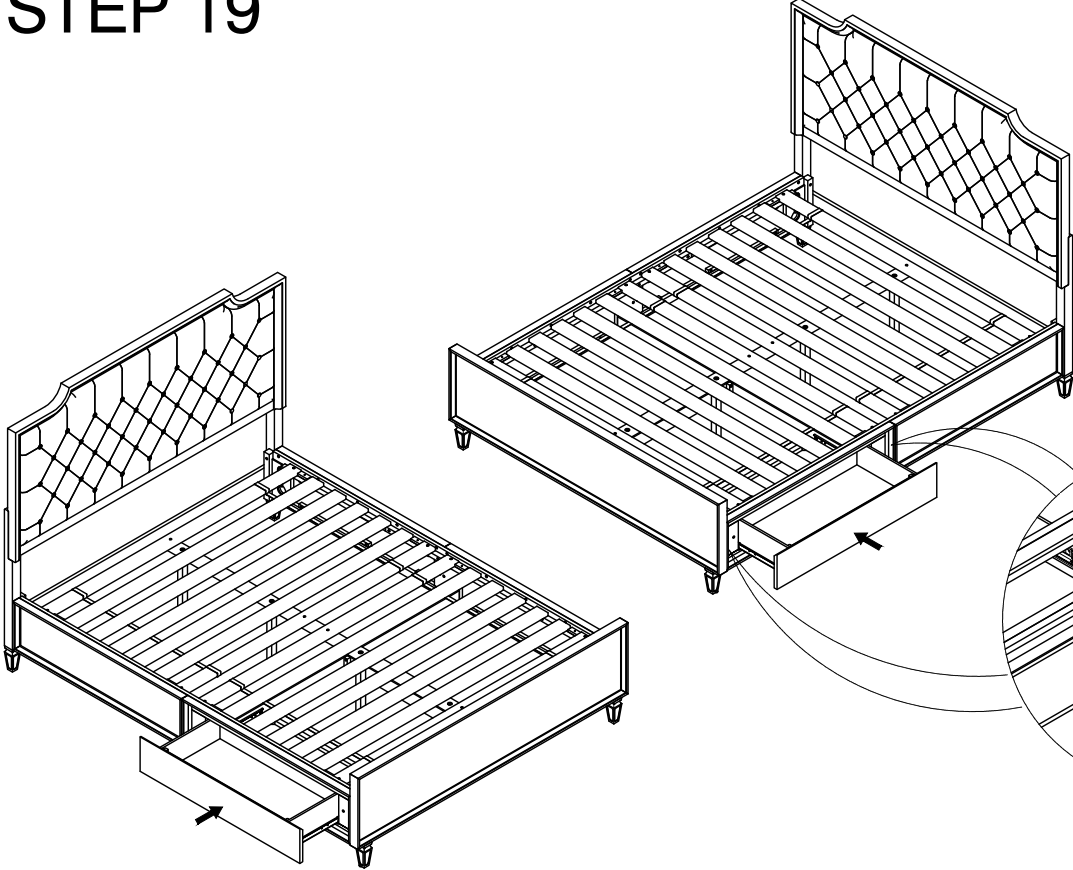


STEP 18

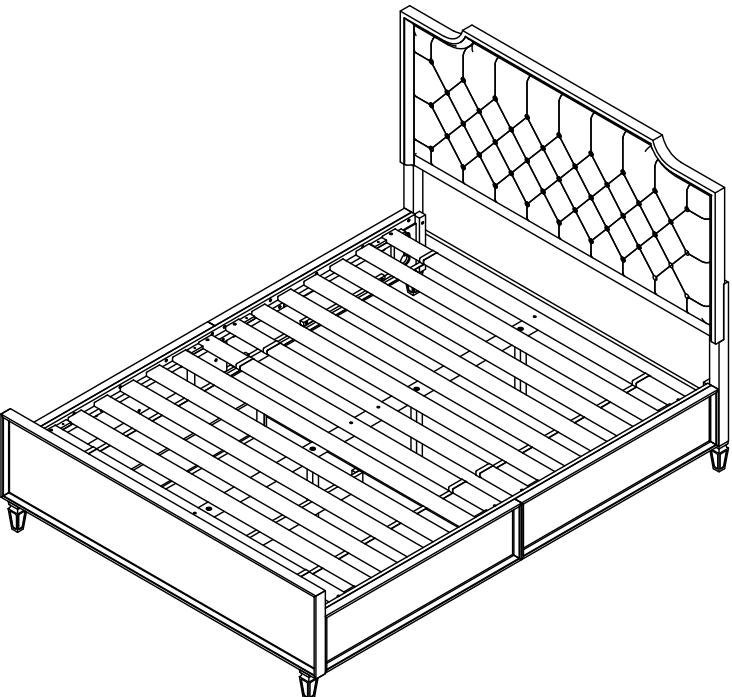
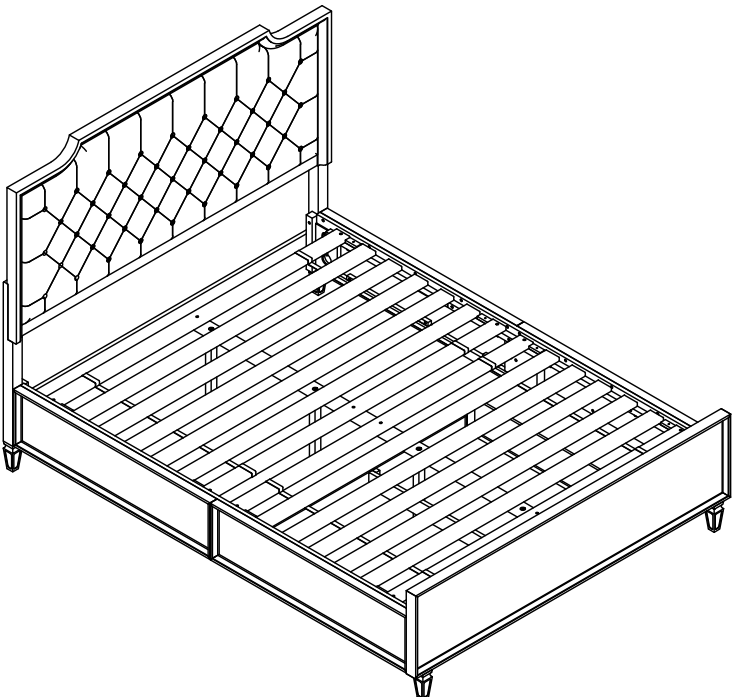
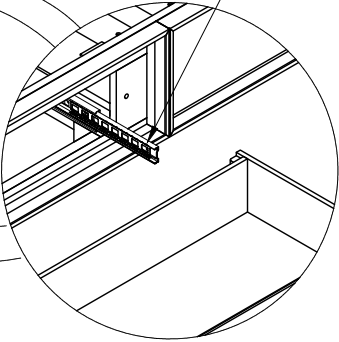
L		8 PCS
---	---	-------



STEP 19



Note: Pull the center slide to the front of the drawer guide on the drawer box. Two persons hold each drawer evenly and line up the side glide on the drawer side panel with the drawer glide on the drawer box. Then push the drawer into the drawer box.



Care & Maintenance

Do...



Wipe up spills immediately.



Dust and pick-up spills using a clean, non-colored, lint-free, dry cloth.



Use mild non-abrasive soap and water.

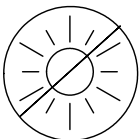
Don't...



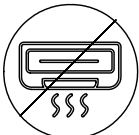
Do not put hot items directly on furniture surface.



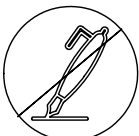
Do not clean furniture with harsh cleansers or polish.



Do not place furniture in direct sunlight.



Do not place furniture near heating or cooling vents.



Do not write on furniture without a padded barrier to protect the surface.



Do not place furniture outside. For indoor use only.