

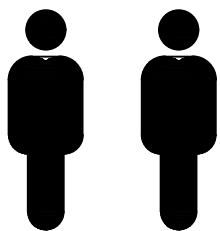
SCAN QR CODE FOR
ASSEMBLY VIDEO

Please read below before assembly

- Assemble the product on a flat, soft surface such as a carpet or cloth to prevent scratching the finish.
- Do not discard any content until assembly is complete to avoid accidentally discarding small parts or hardware.
- Take out all parts and hardware from box.
- Failure to follow these instructions may cause the bolts to misalign during assembly.

DISCLAIMERS:

- WHEN PROPERLY ASSEMBLED, THIS ITEM IS SAFE FOR INTENDED USE. SELLER IS NOT LIABLE FOR ANY DAMAGES RESULTING FROM ITEM BEING IMPROPERLY ASSEMBLED AFTER PURCHASE.
- BOLTS MAY LOOSEN DURING NORMAL EVERYDAY USE. THEY SHOULD BE INSPECTED AT LEAST EVERY 3 MONTHS AND RE-TIGHTENED AS NEEDED TO PREVENT DAMAGE OR INJURY, AND ENSURE STABILITY.



PEOPLE NEEDED



600

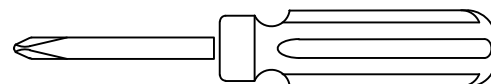
lbs per bed

WEIGHT LIMIT




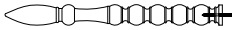
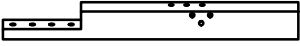
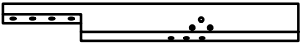

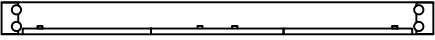
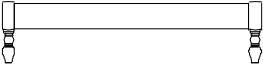
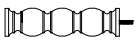



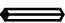
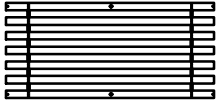
ESTIMATED TIME

TOOLS REQUIRED (NOT INCLUDED)

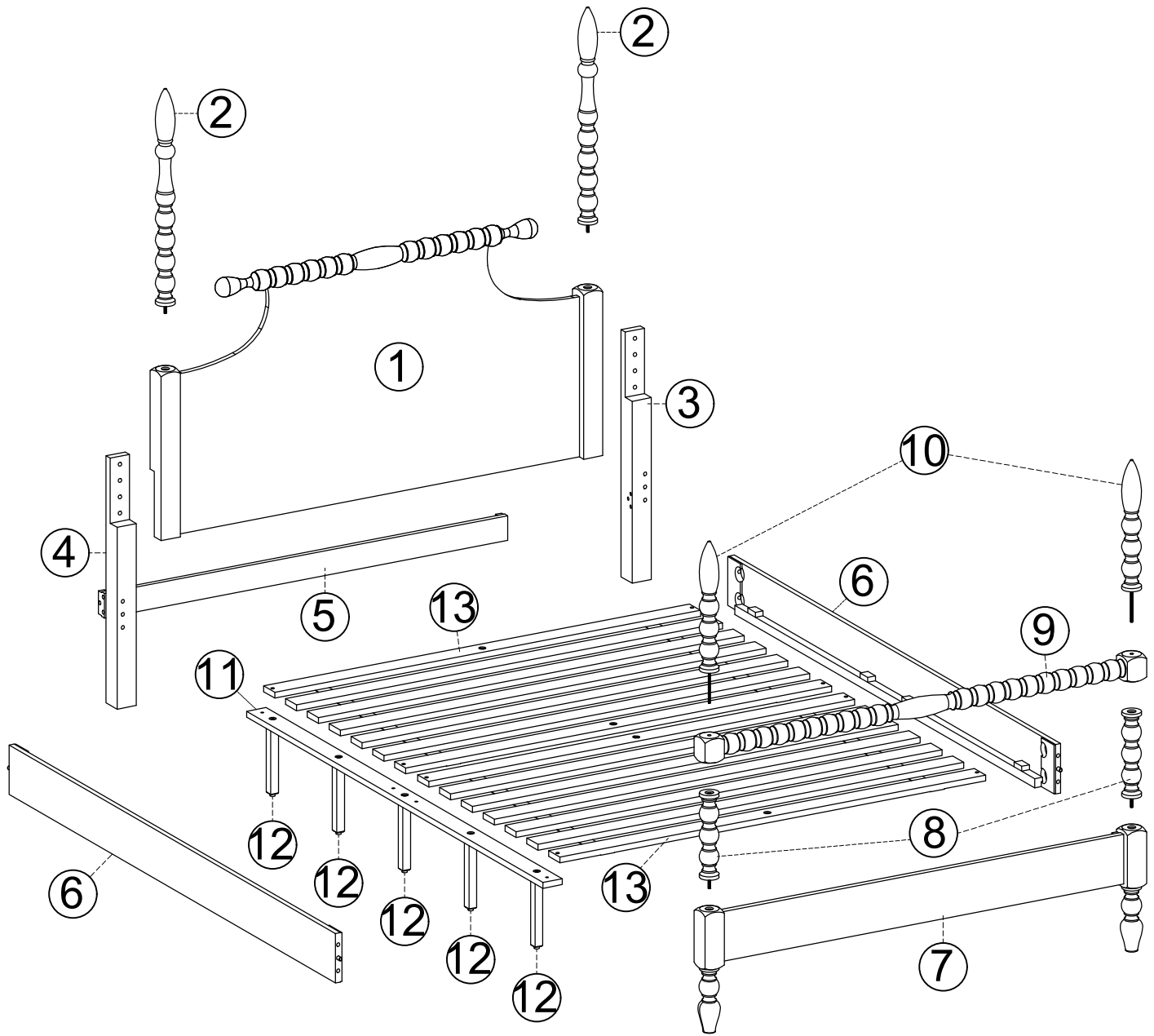


PHILLIPS HEAD SCREW DRIVER




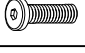


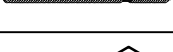

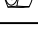

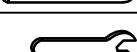

PARTS LIST

| | | | |
|---|---------------------------|---|--------|
| ① | HEADBOARD PANEL |  | 1 PC |
| ② | HEADBOARD FINAL |  | 2 PCS |
| ③ | RIGHT HEADBOARD LEG |  | 1 PC |
| ④ | LEFT HEADBOARD LEG |  | 1 PC |
| ⑤ | HEADBOARD STRETCHER |  | 1 PC |
| ⑥ | SIDE RAIL |  | 2 PCS |
| ⑦ | FOOTBOARD |  | 1 PC |
| ⑧ | FOOTBOARD POST |  | 2 PCS |
| ⑨ | FOOTBOARD DECORATIVE RAIL |  | 1 PC |
| ⑩ | FOOTBOARD FINAL |  | 2 PCS |
| ⑪ | MIDDLE SUPPORT |  | 1 PC |
| ⑫ | SUPPORT LEG |  | 5 PCS |
| ⑬ | SLAT ROLL |  | 2 SETS |

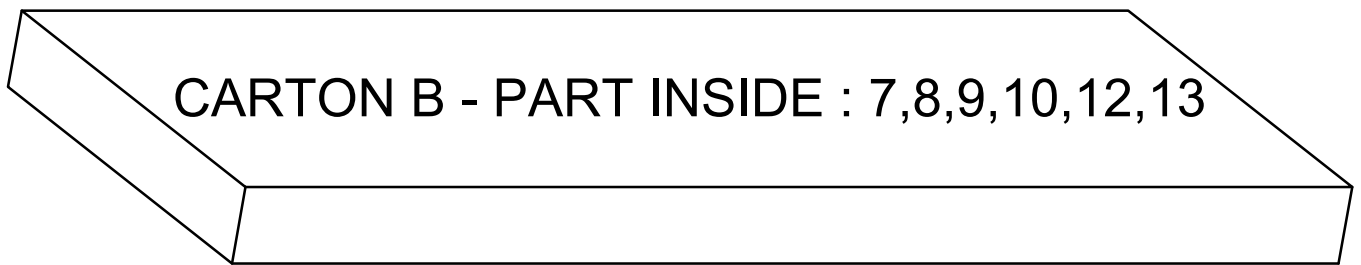
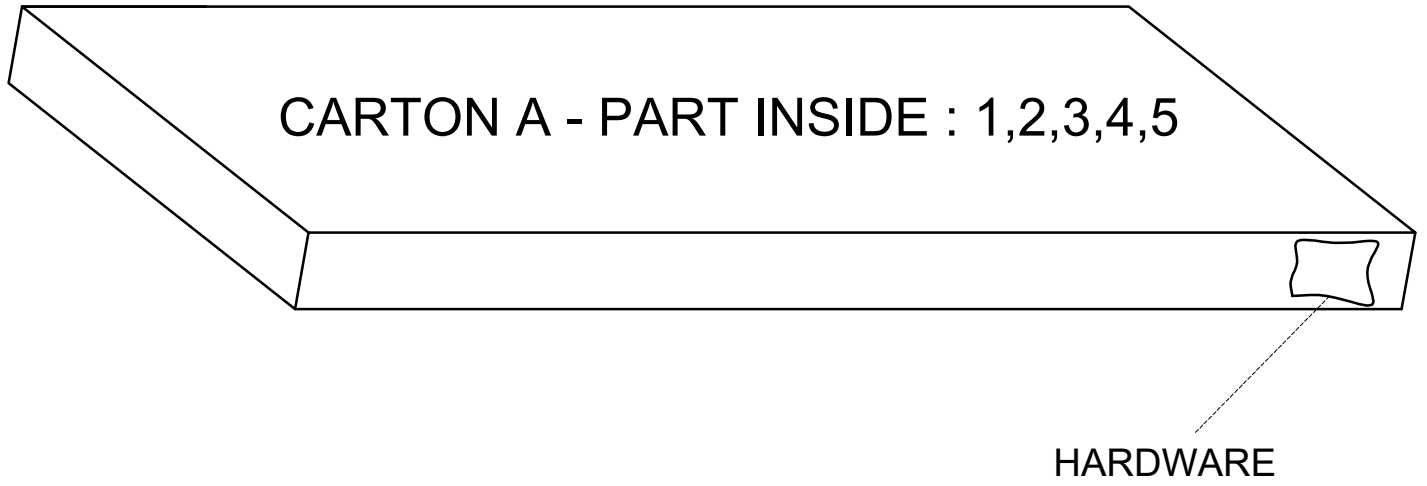
PARTS LIST



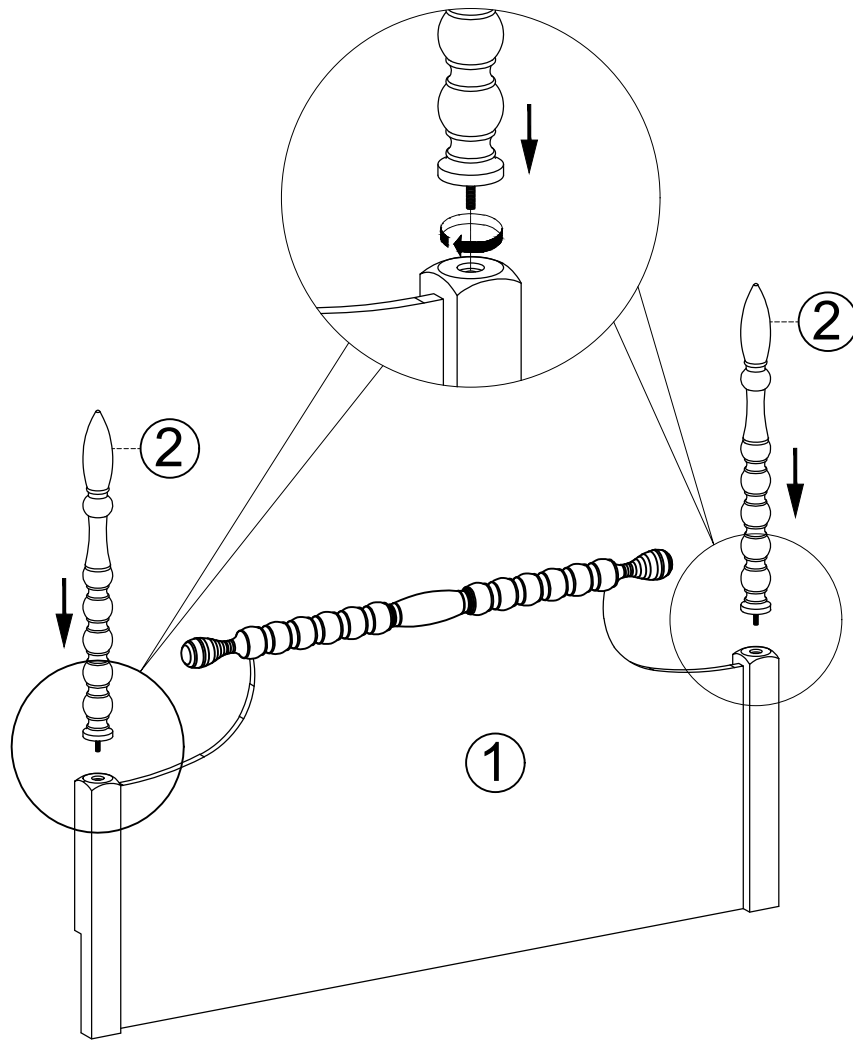
HARDWARE LIST

| | | | |
|---|------------------------------|---|--------|
| A | LARGE BOLT - Ø5/16" x 1-1/2" |  | 10 PCS |
| B | LARGE LOCK WASHER - Ø5/16" |  | 10 PCS |
| C | LARGE FLAT WASHER - Ø5/16" |  | 10 PCS |
| D | SMALL BOLT - Ø1/4" x 1-1/4" |  | 4 PCS |
| E | SMALL LOCK WASHER - Ø1/4" |  | 4 PCS |
| F | SMALL FLAT WASHER - Ø1/4" |  | 4 PCS |
| G | STUD BOLT - Ø5/16" x 3-5/8" |  | 8 PCS |
| H | CRESCENT WASHER - Ø5/16" |  | 8 PCS |
| I | HEXAGON NUT - Ø5/16" |  | 8 PCS |
| J | SCREW - Ø1/8" x 1-1/4" |  | 8 PCS |
| K | ALLEN KEY |  | 1 PC |
| L | WRENCH - 5/16" |  | 1 PC |





STEP 1 LOCATE PARTS AND HARDWARE PER BELOW DRAWING

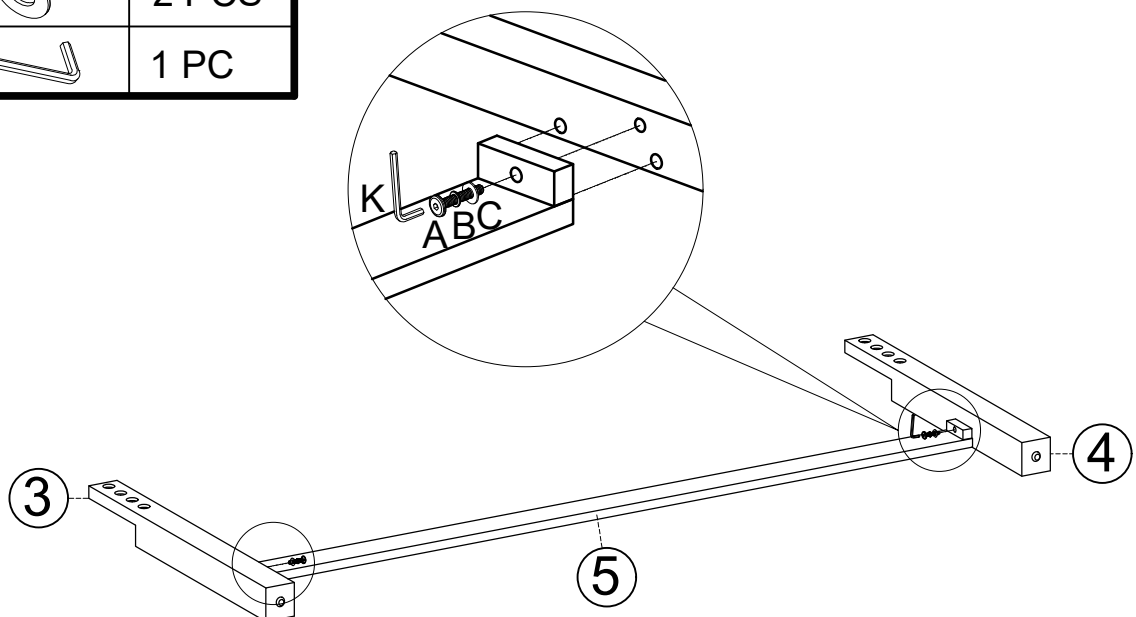


STEP 2







STEP 3

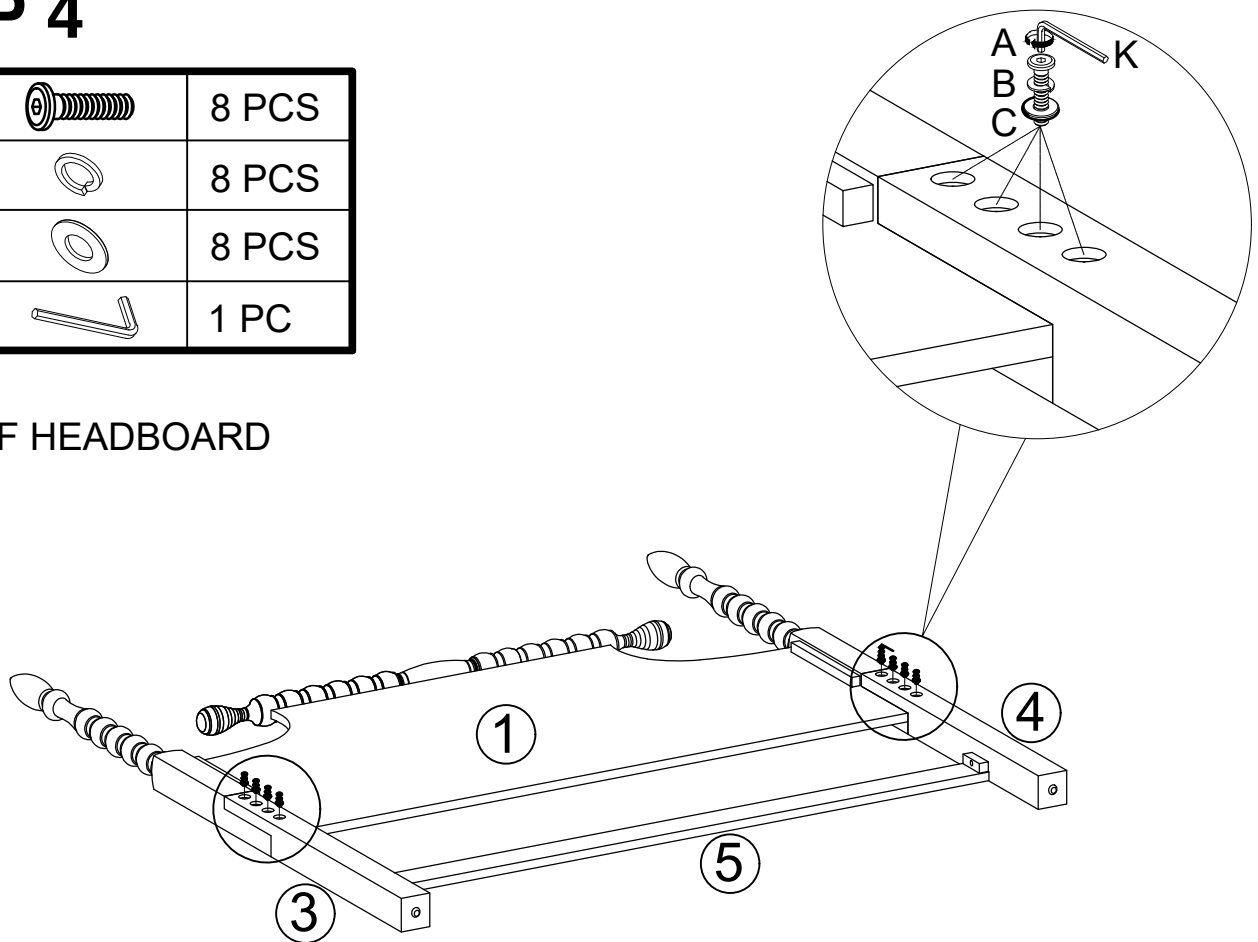
| | | |
|---|---|-------|
| A |  | 2 PCS |
| B |  | 2 PCS |
| C |  | 2 PCS |
| K |  | 1 PC |



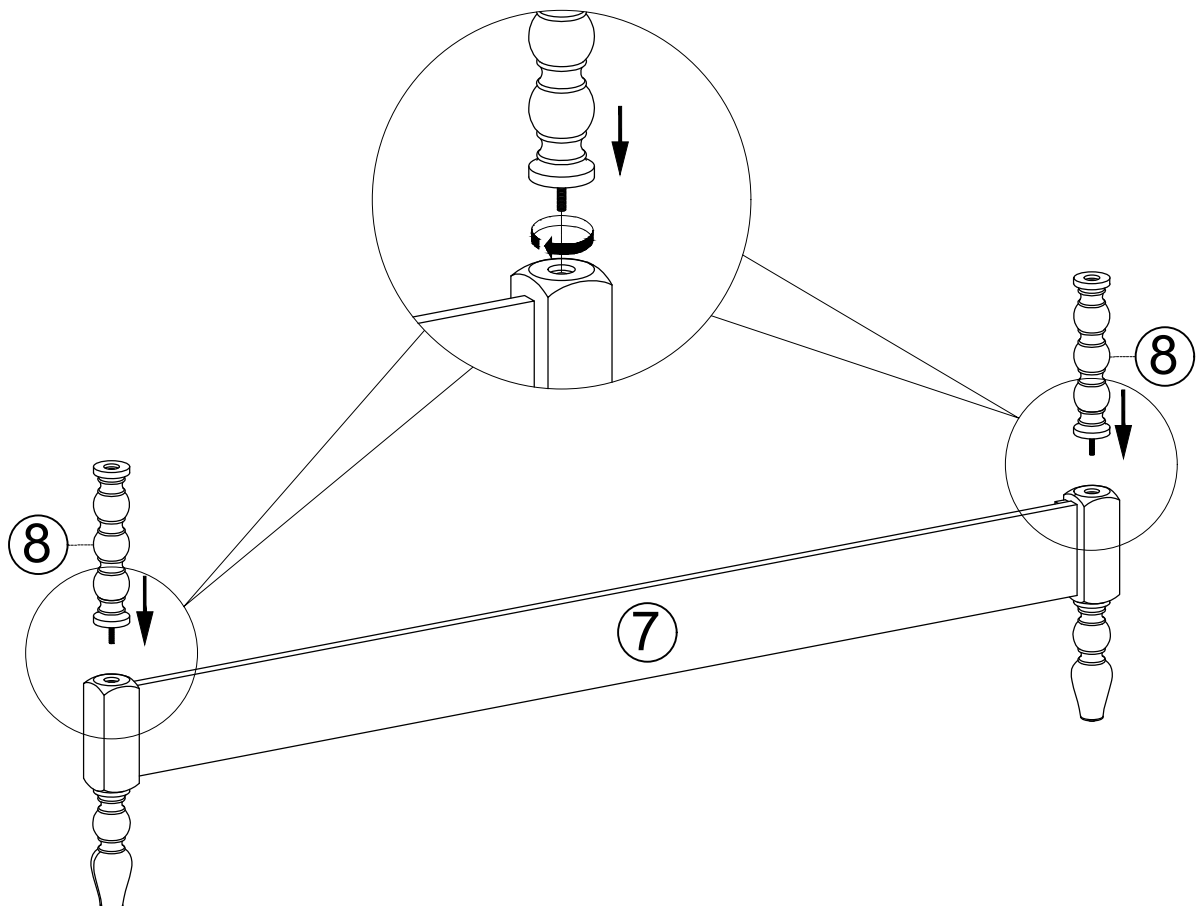
STEP 4

| | | |
|---|---|-------|
| A |  | 8 PCS |
| B |  | 8 PCS |
| C |  | 8 PCS |
| K |  | 1 PC |

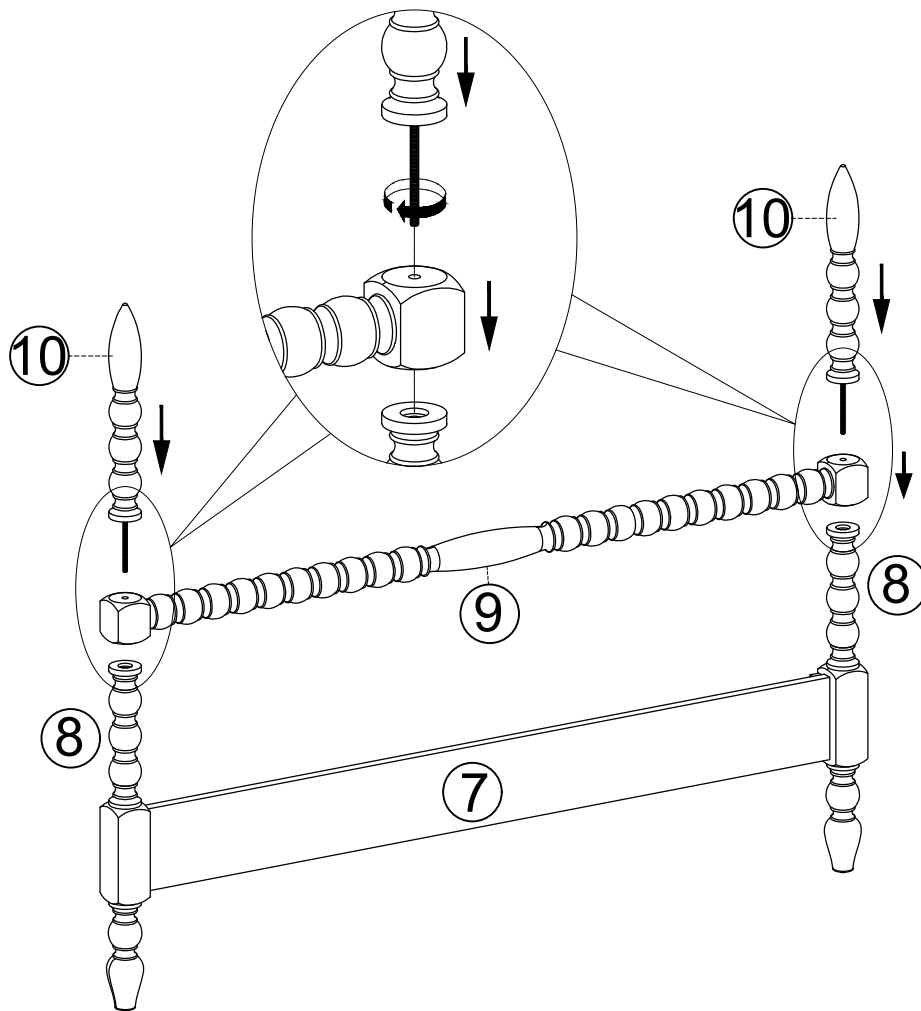
BACK OF HEADBOARD



STEP 5



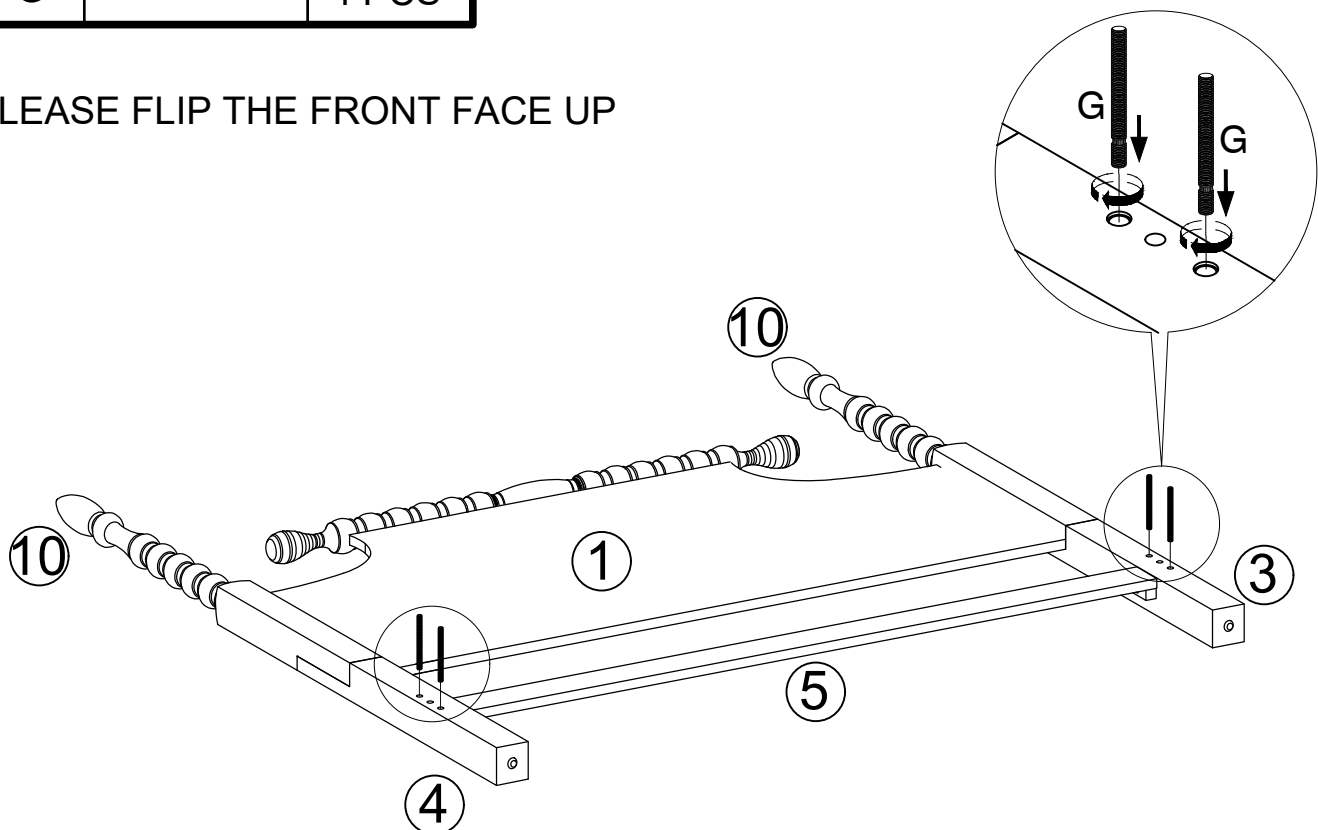
STEP 6



STEP 7

| | | |
|---|--|-------|
| G | | 4 PCS |
|---|--|-------|

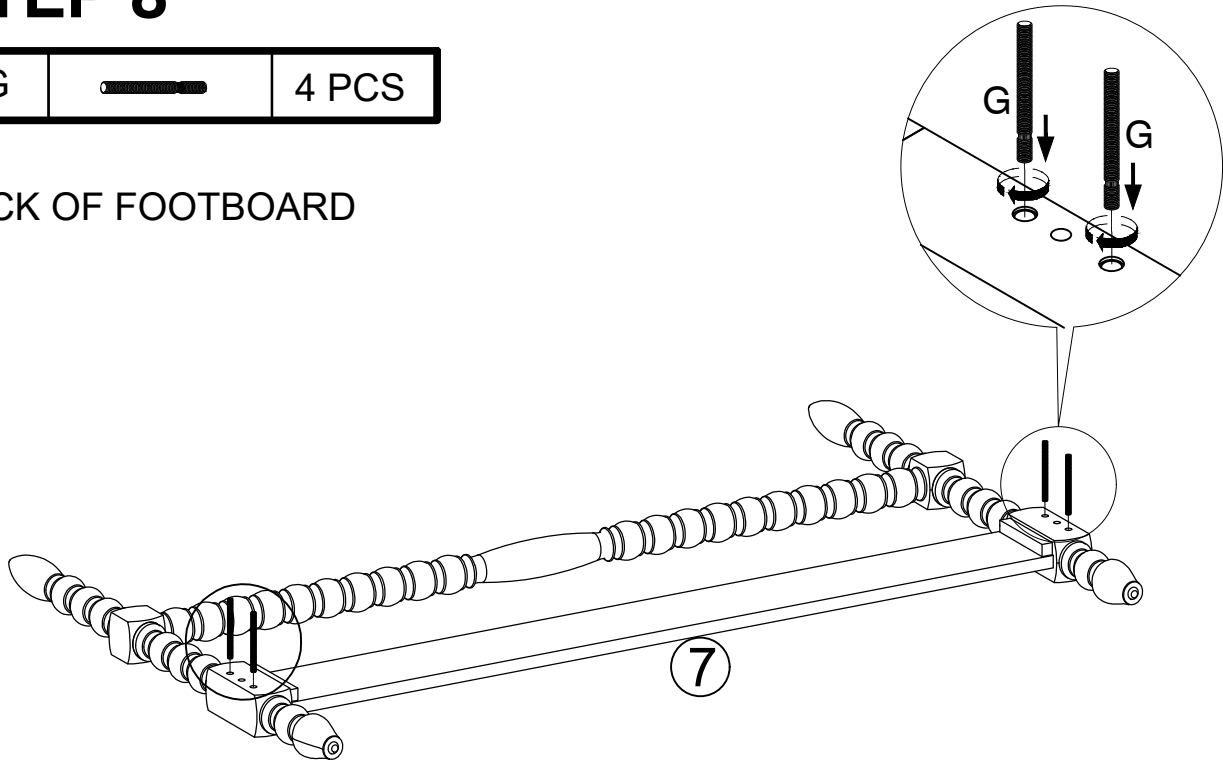
PLEASE FLIP THE FRONT FACE UP



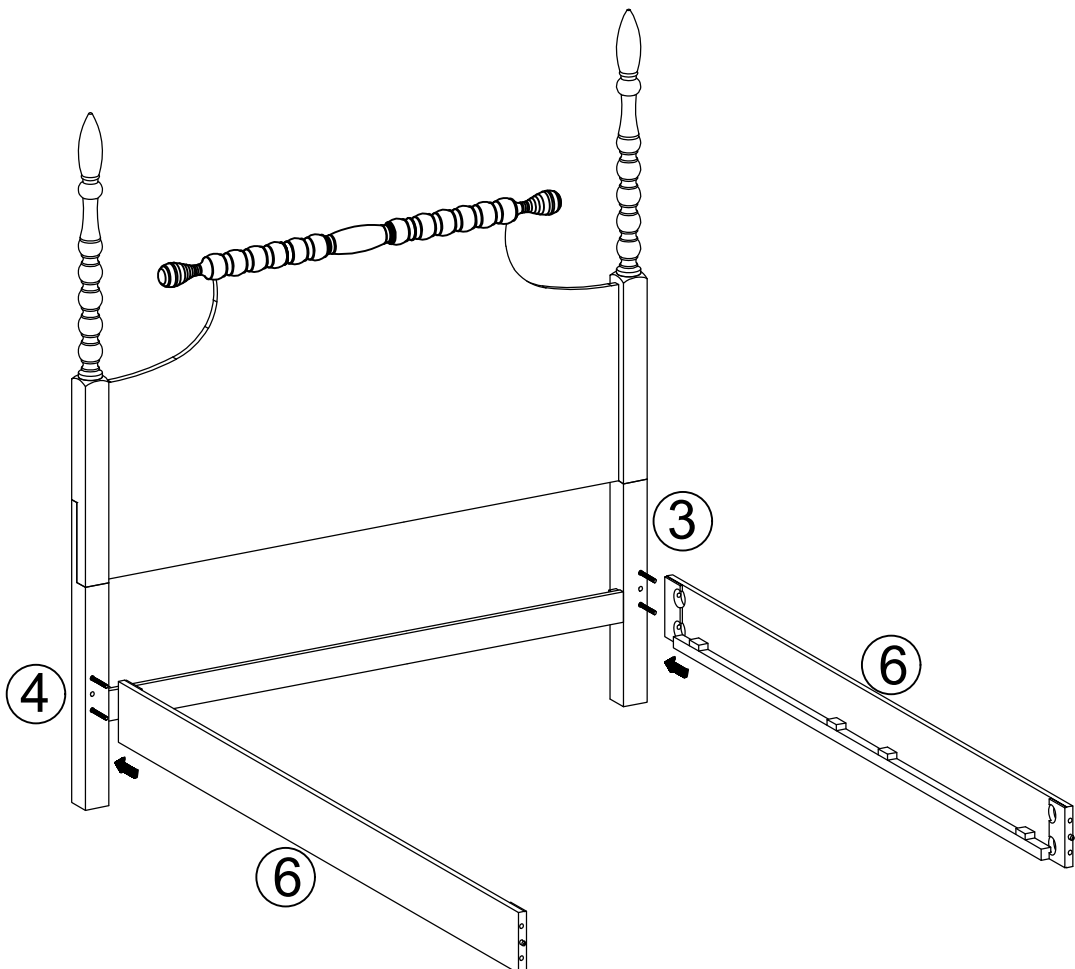
STEP 8



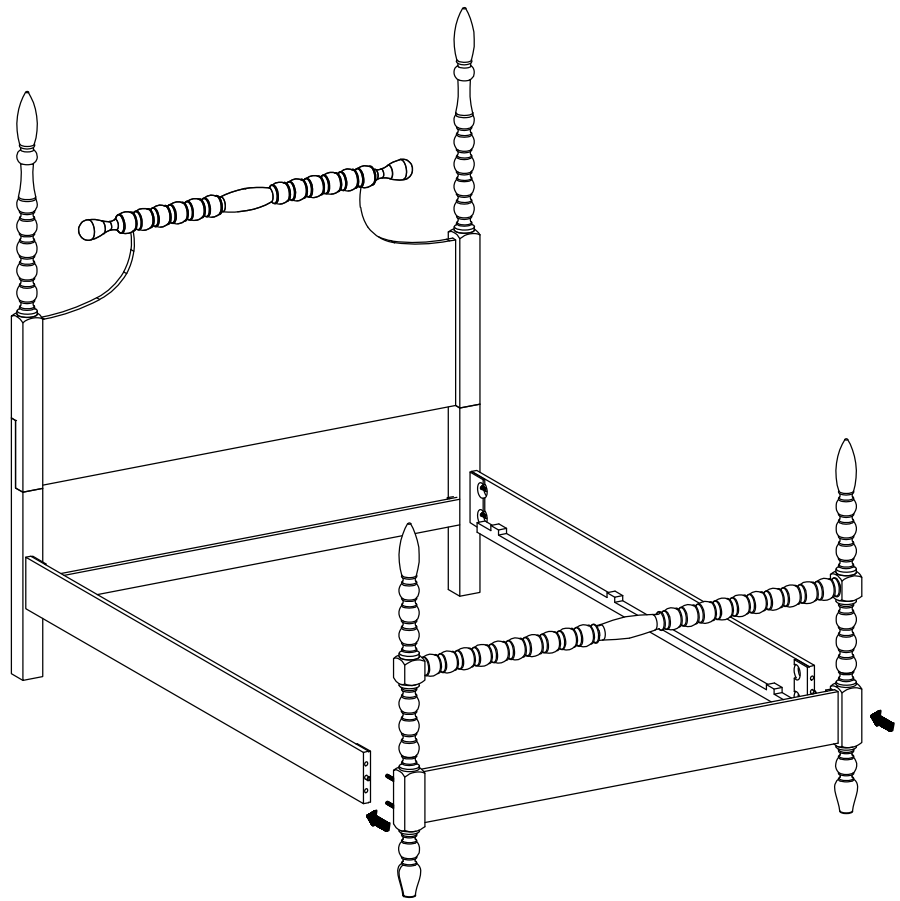
BACK OF FOOTBOARD






STEP 9

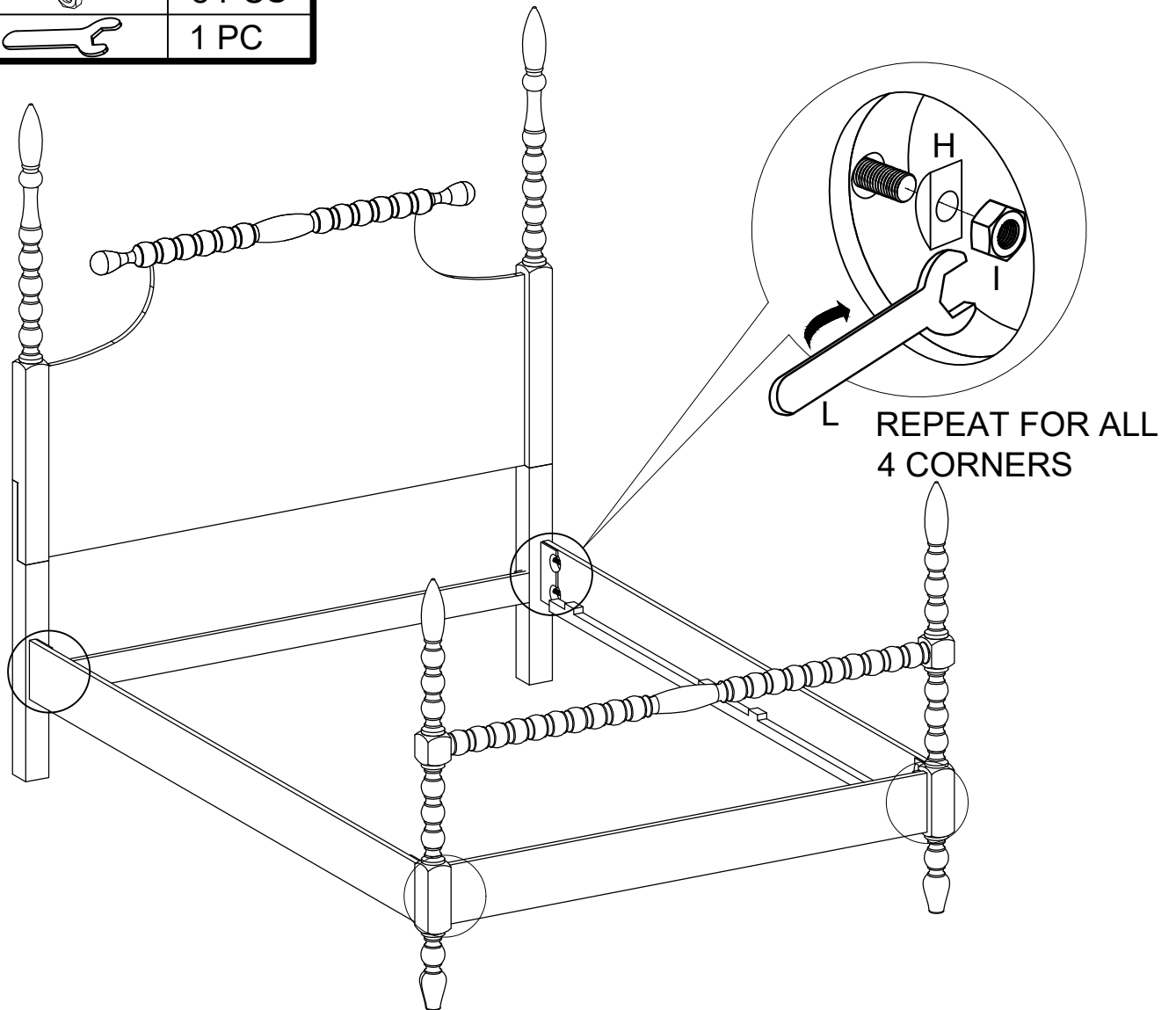


STEP 10

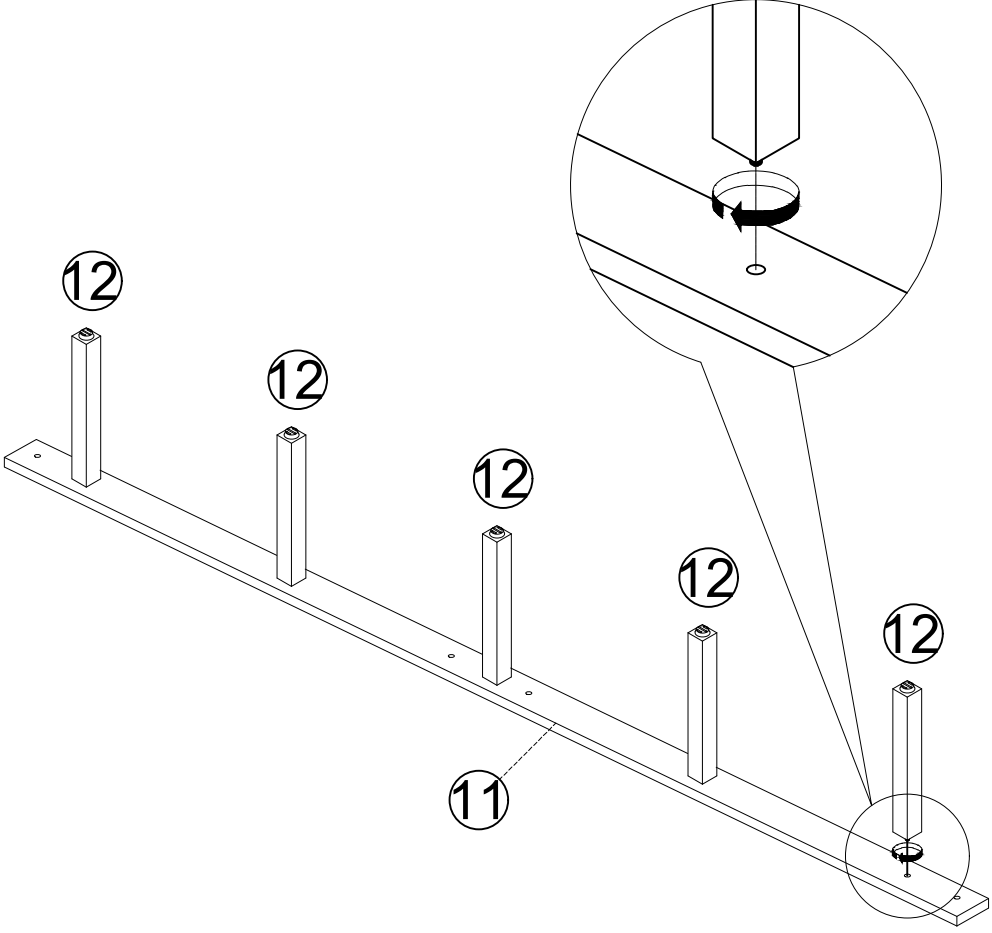


STEP 11

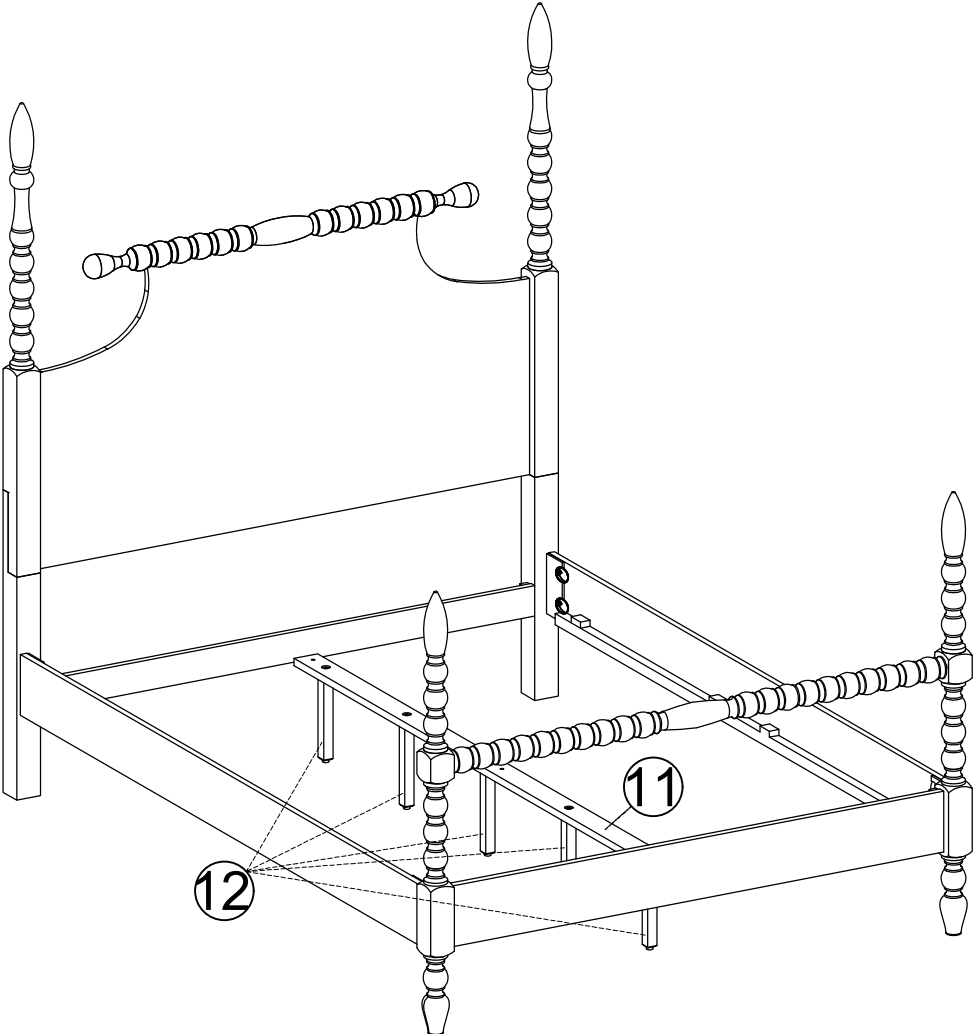
| | | |
|---|---|-------|
| H |  | 8 PCS |
| I |  | 8 PCS |
| L |  | 1 PC |







STEP 12

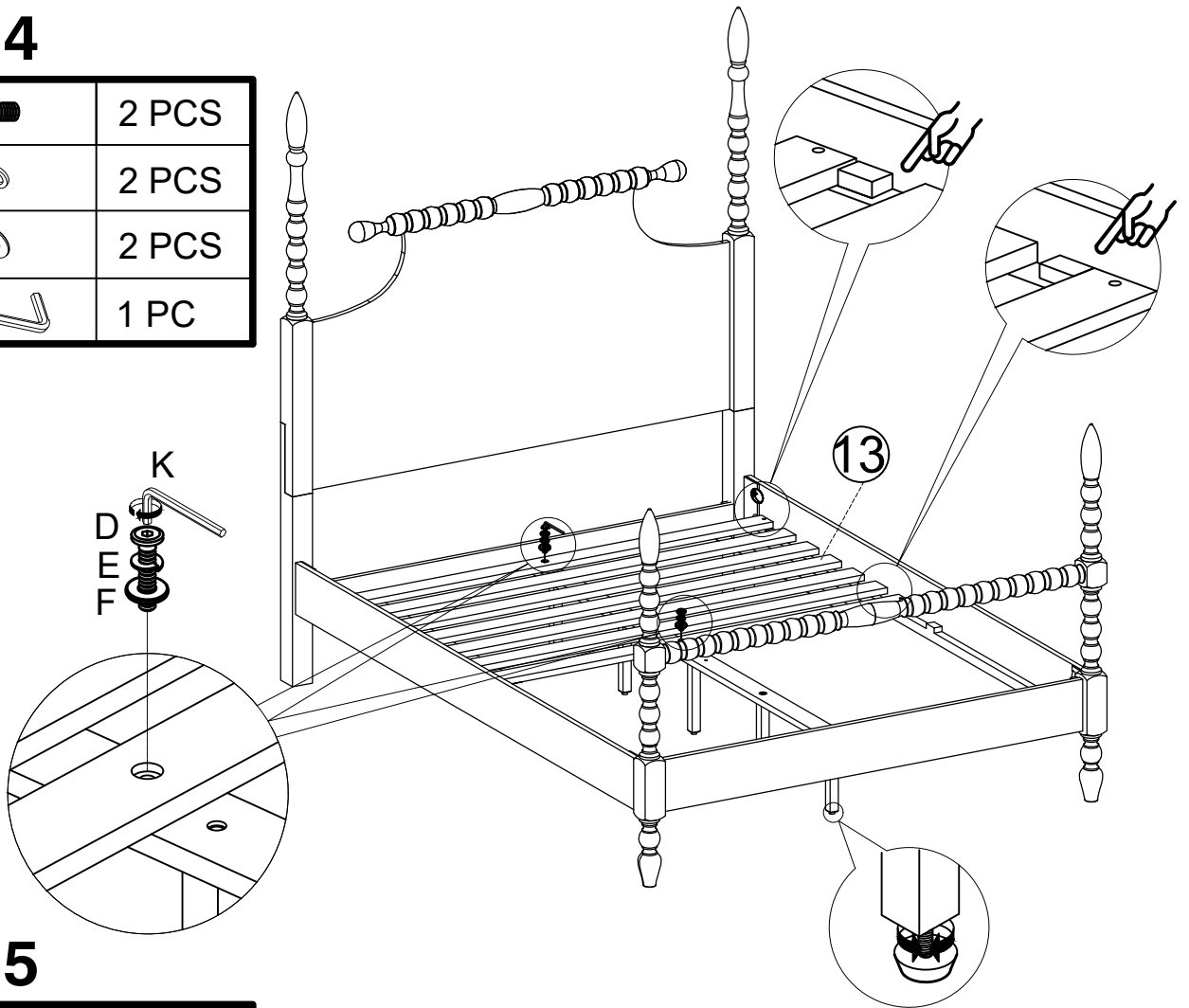


STEP 13







STEP 14

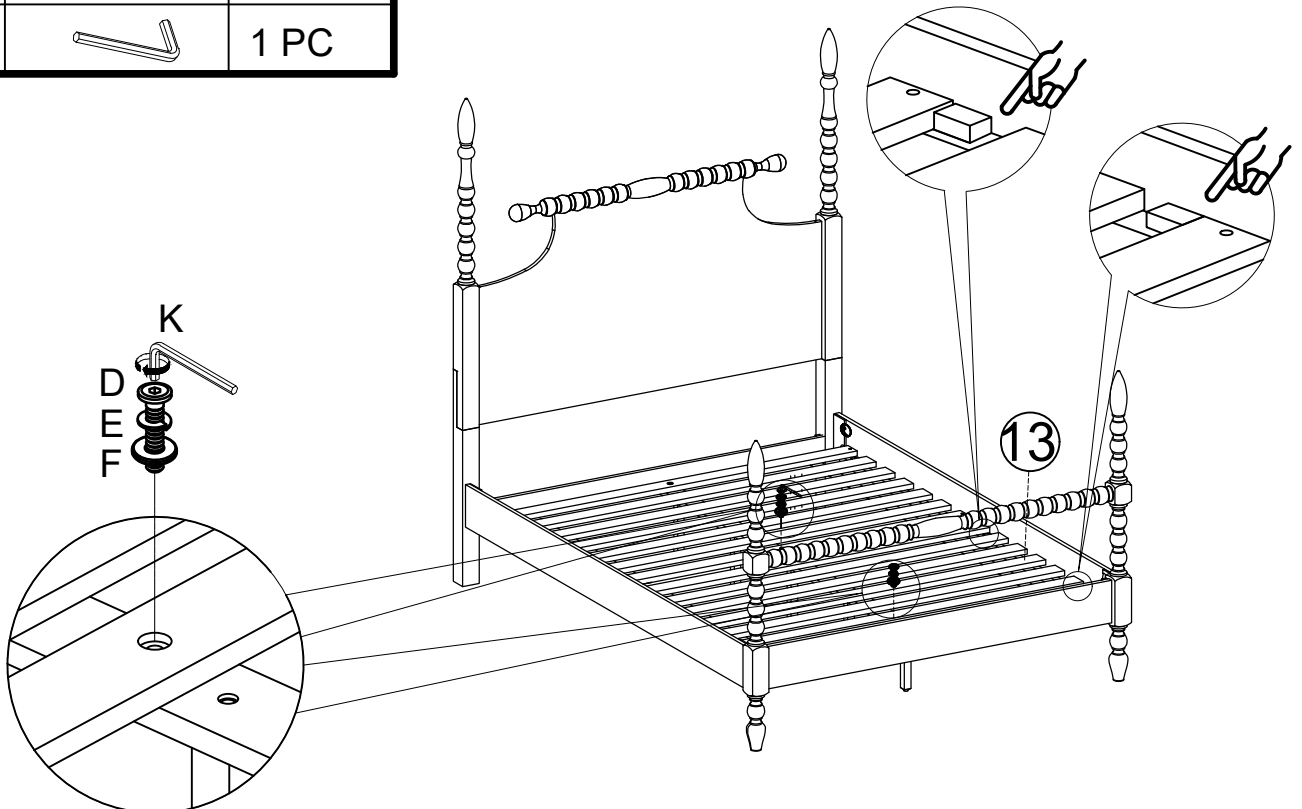
| | | |
|---|---|-------|
| D |  | 2 PCS |
| E |  | 2 PCS |
| F |  | 2 PCS |
| K |  | 1 PC |



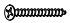
ADJUST LEVELERS FOR UNEVEN FLOOR

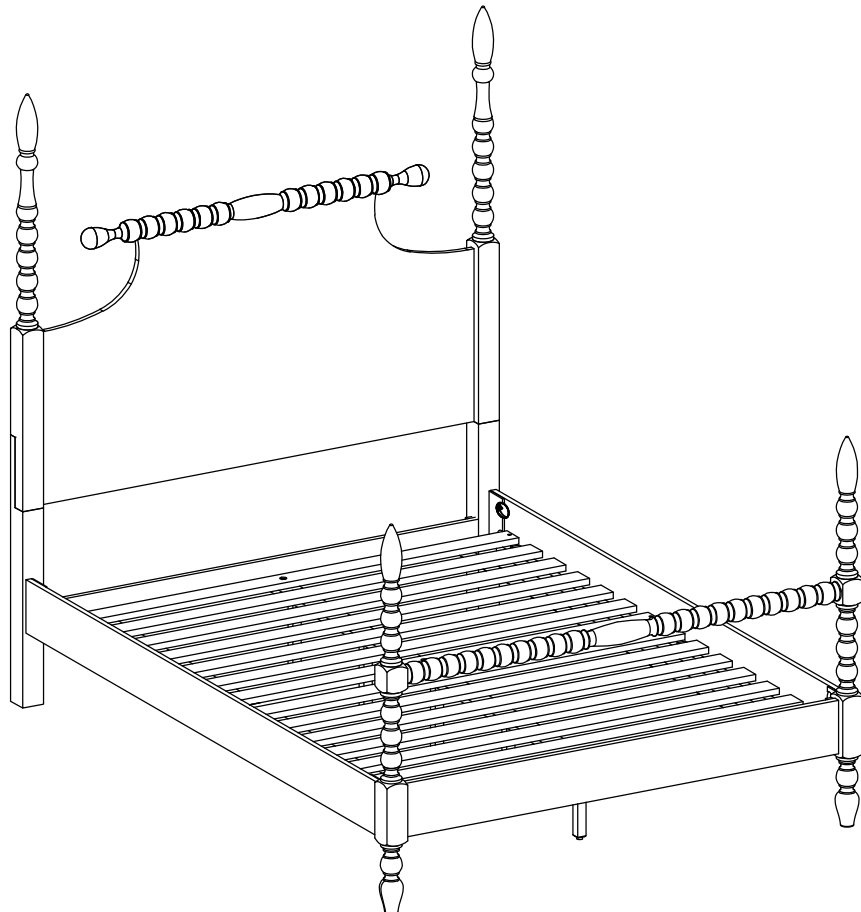
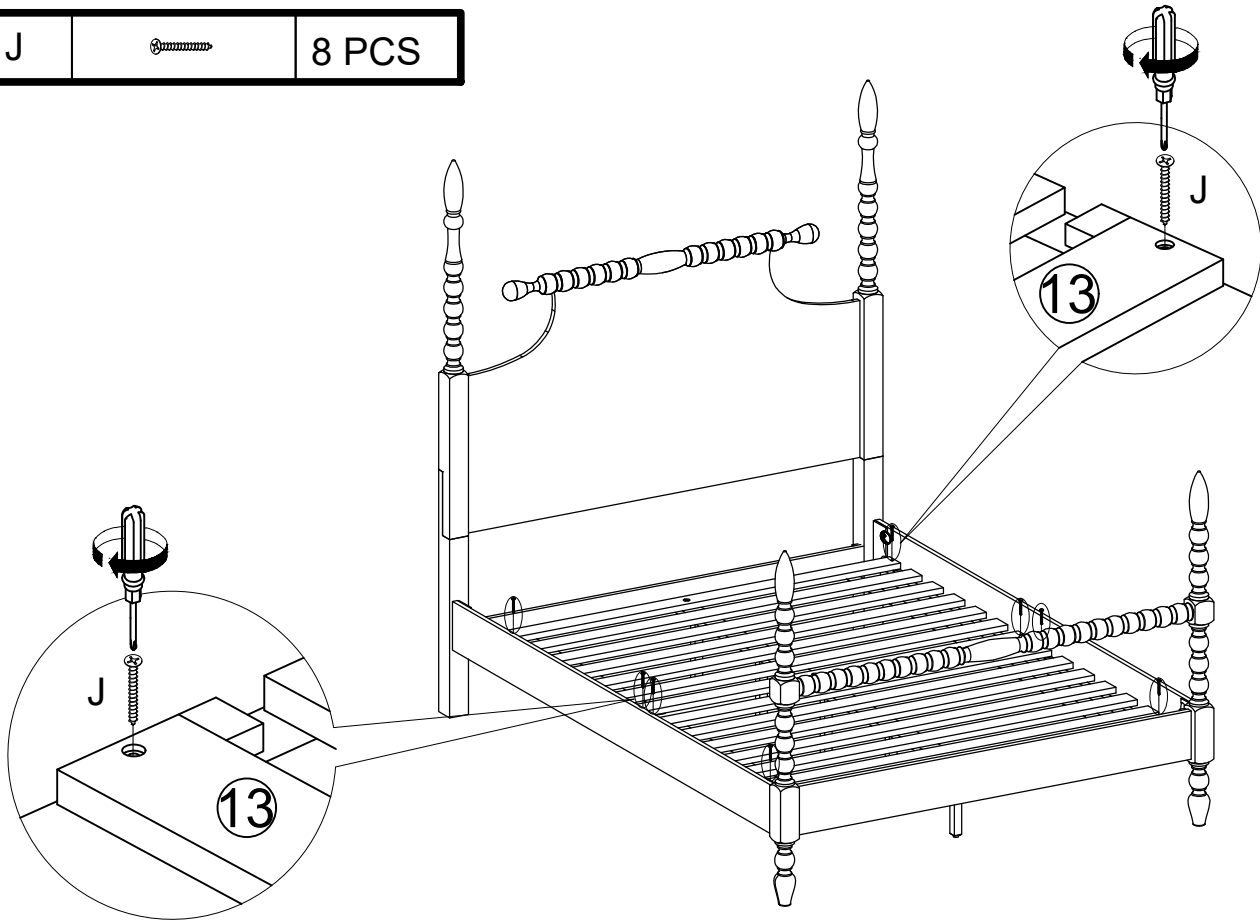
STEP 15

| | | |
|---|---|-------|
| D |  | 2 PCS |
| E |  | 2 PCS |
| F |  | 2 PCS |
| K |  | 1 PC |



STEP 16

| | | |
|---|---|-------|
| J |  | 8 PCS |
|---|---|-------|



Care & Maintenance

Do...



Wipe up spills immediately.



Dust and pick-up spills using a clean, non-colored, lint-free, dry cloth.



Use mild non-abrasive soap and water.

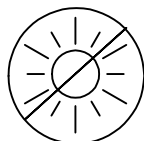
Don't...



Do not put hot items directly on furniture surface.



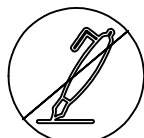
Do not clean furniture with harsh cleansers or polish.



Do not place furniture in direct sunlight.



Do not place furniture near heating or cooling vents.



Do not write on furniture without a padded barrier to protect the surface.



Do not place furniture outside. For indoor use only.