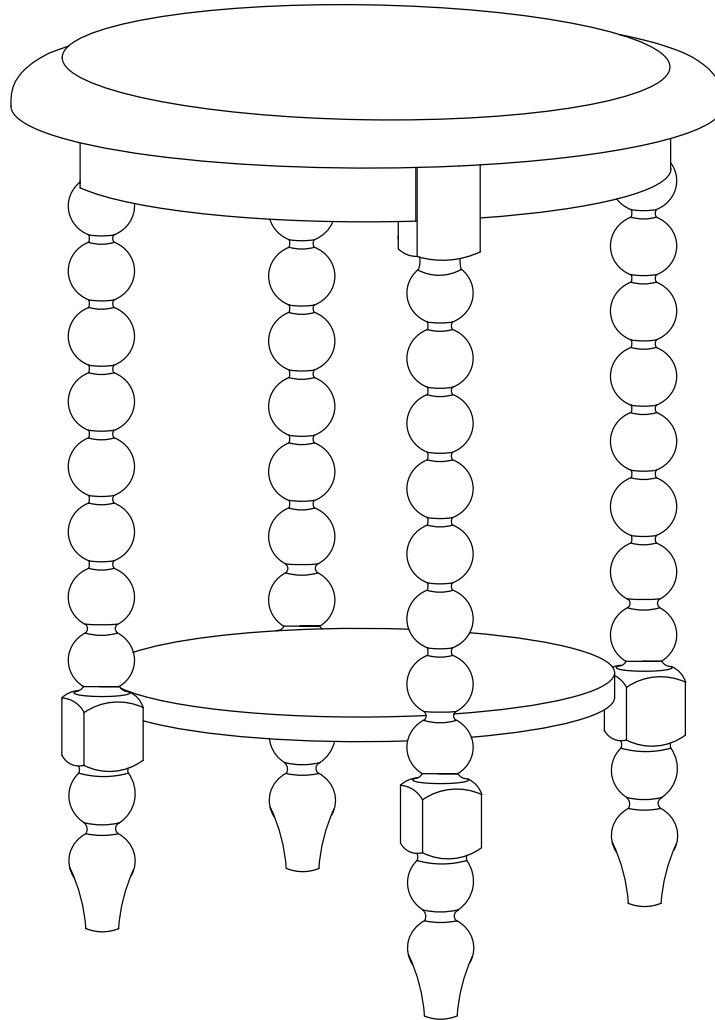




## PHILLIPE END TABLE

---



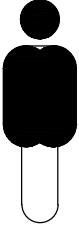
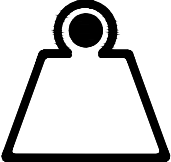

SCAN QR CODE FOR  
ASSEMBLY VIDEO

### **Please read below before assembly:**

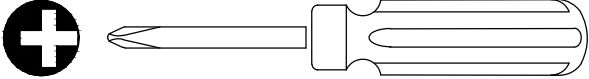
- Assemble the product on a flat, soft surface such as a carpet or cloth to prevent scratching the finish.
- Do not discard any content until assembly is complete to avoid accidentally discarding small parts or hardware.
- Take out all parts and hardware from box.
- Failure to follow these instructions may cause the bolts to misalign during assembly.

### **DISCLAIMERS:**

- WHEN PROPERLY ASSEMBLED, THIS ITEM IS SAFE FOR INTENDED USE. SELLER IS NOT LIABLE FOR ANY DAMAGES RESULTING FROM ITEM BEING IMPROPERLY ASSEMBLED AFTER PURCHASE.
- BOLTS MAY LOOSEN DURING NORMAL EVERYDAY USE. THEY SHOULD BE INSPECTED AT LEAST EVERY 3 MONTHS AND RE-TIGHTEN AS NEEDED TO PREVENT DAMAGE OR INJURY, AND ENSURE STABILITY.

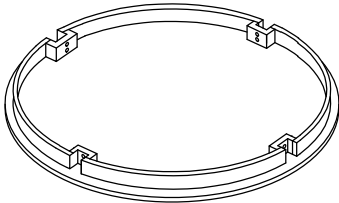
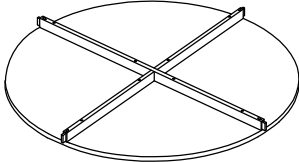
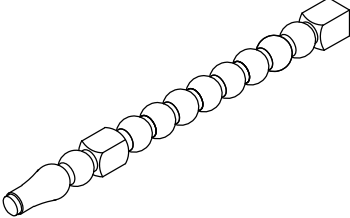
 <p>PEOPLE NEEDED</p>	 <p>100   50 lbs table top seat   lbs per shelf</p> <p>WEIGHT LIMIT</p>	 <p>ESTIMATED TIME</p>
--	--	---

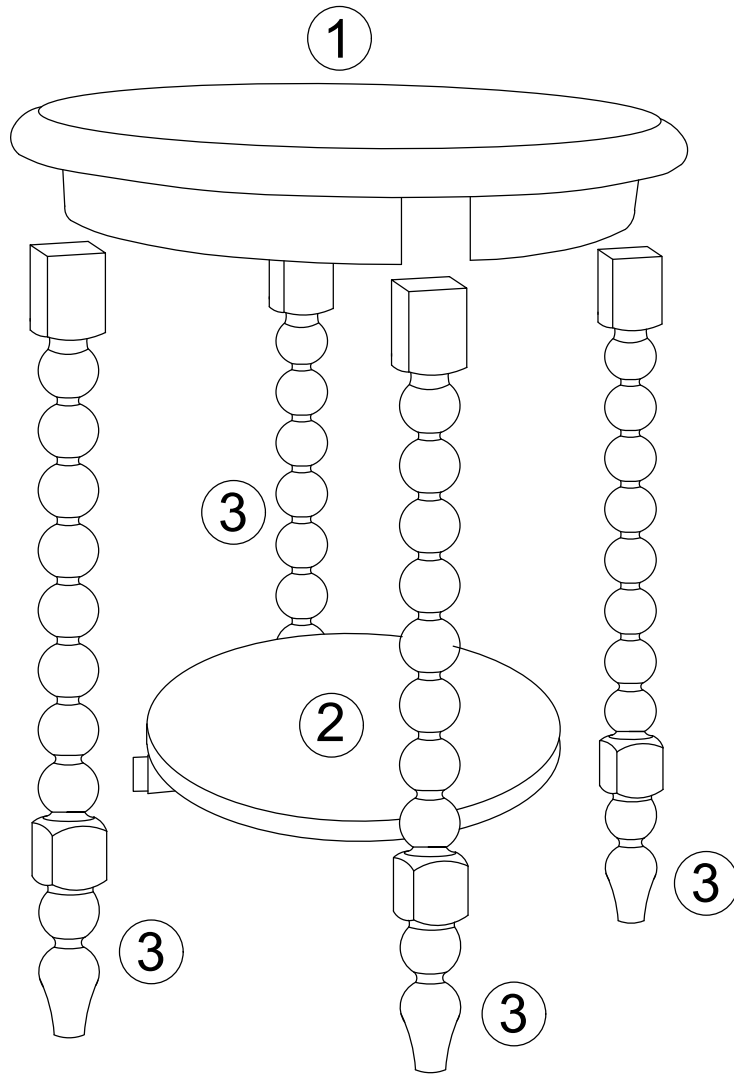
TOOLS REQUIRED (NOT INCLUDED)



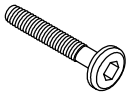


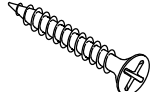

PHILLIPS HEAD SCREW DRIVER

# PARTS LIST

①	TABLE TOP		1 PC
②	OPEN SHELF		1 PC
③	LEG		4 PCS

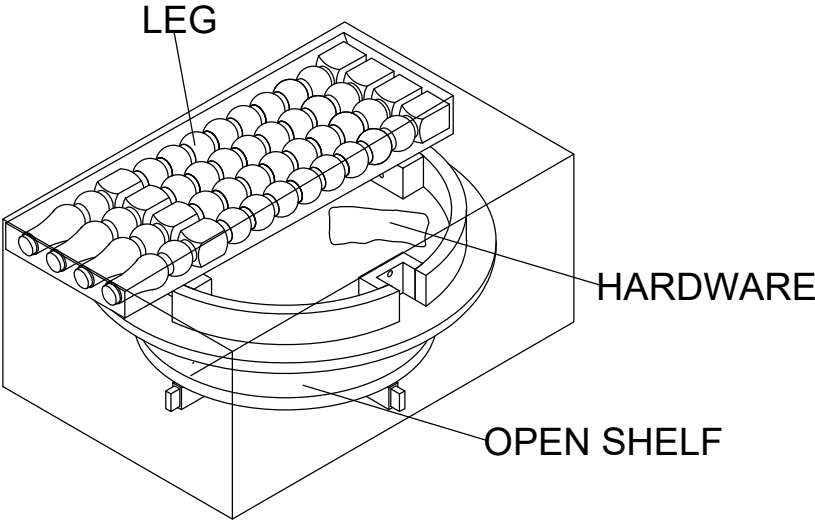


# HARDWARE LIST

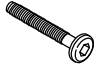



A	BOLT - Ø 1/4" x 2 "		8PCS + 1PC EXTRA
B	LOCK WASHER - Ø 1/4"		8PCS + 1PC EXTRA
C	FLAT WASHER - Ø 1/4"		8PCS + 1PC EXTRA
D	LONG SCREW - Ø 1/8" x 1 1/4"		4PCS + 1PC EXTRA
E	ALLEN KEY - 1/4"		1 PC

# STEP 1

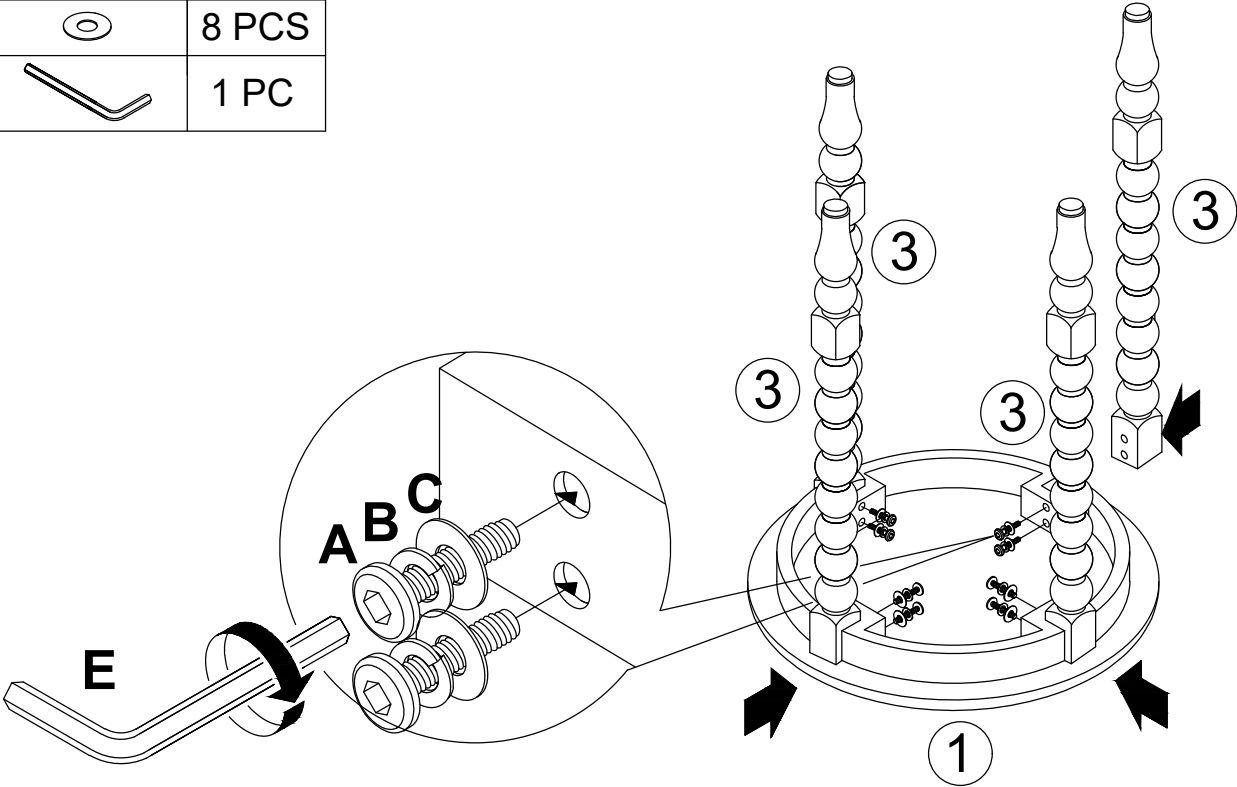
LOCATE PARTS AND HARDWARE PER BELOW DRAWING.



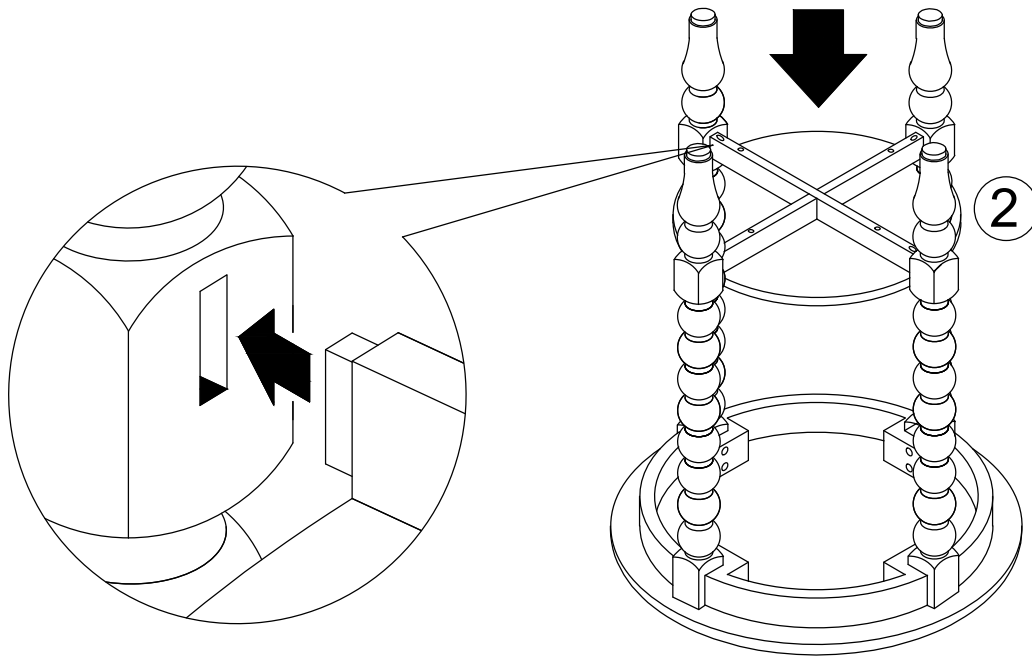
# STEP 2

A		8 PCS
B		8 PCS
C		8 PCS
E		1 PC


PLEASE DO NOT FULLY TIGHTEN BOLTS UNTIL STRUCTURE IS ASSEMBLED.

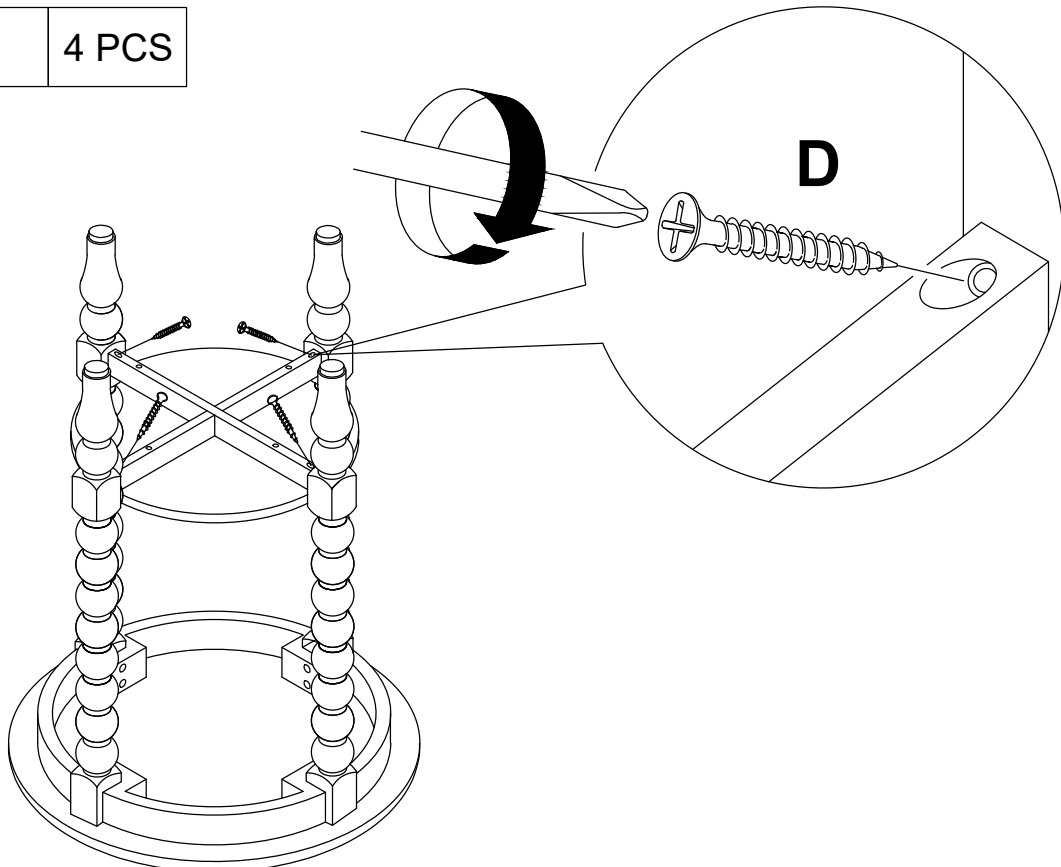


# STEP 3

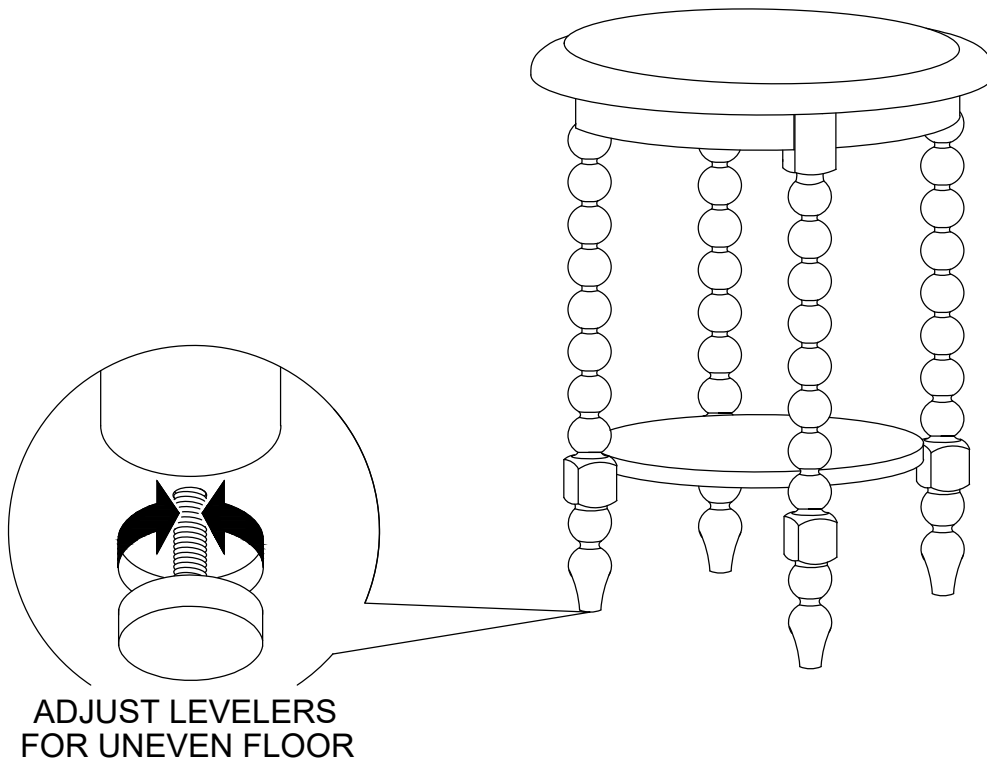


# STEP 4

D		4 PCS
---	---	-------



# STEP 5



**FULLY TIGHT ALL BOLTS AND SCREWS TO COMPLETE ASSEMBLY**

# Care & Maintenance

---

## Do...



**Wipe up spills immediately.**



**Dust and pick-up spills using a clean, non-colored, lint-free, dry cloth.**



**Use mild non-abrasive soap and water.**

---

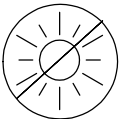
## Don't...



**Do not put hot items directly on furniture surface.**



**Do not clean furniture with harsh cleansers or polish.**



**Do not place furniture in direct sunlight.**



**Do not place furniture near heating or cooling vents.**



**Do not write on furniture without a padded barrier to protect the surface.**



**Do not place furniture outside. For indoor use only.**