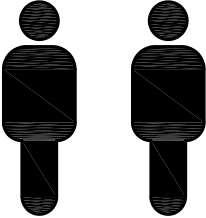
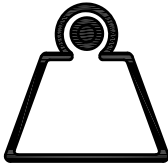



Please read below before assembly:

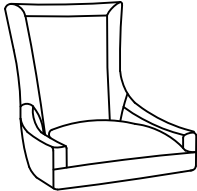
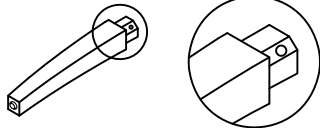
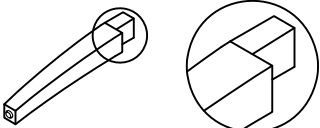
- Assemble the product on a flat, soft surface such as a carpet or cloth to prevent scratching the finish.
- Do not discard any content until assembly is complete to avoid accidentally discarding small parts or hardware.
- Take out all parts and hardware from box.
- Failure to follow these instructions may cause the bolts to misalign during assembly.

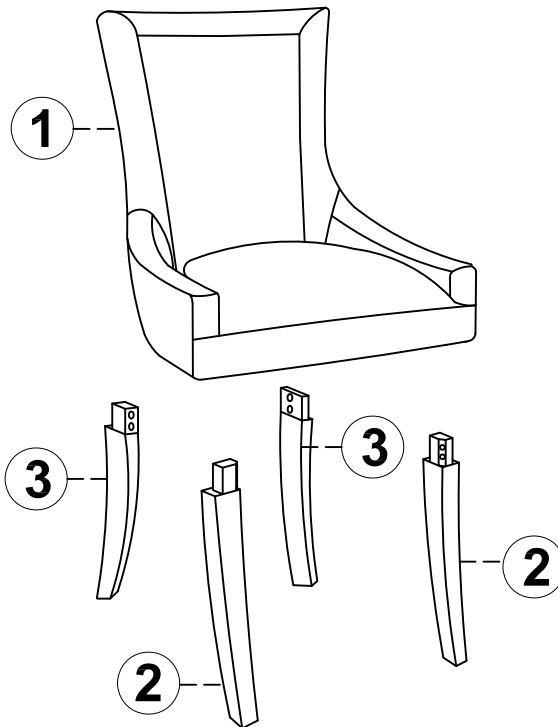
DISCLAIMERS:

- WHEN PROPERLY ASSEMBLED, THIS ITEM IS SAFE FOR INTENDED USE. SELLER IS NOT LIABLE FOR ANY DAMAGES RESULTING FROM ITEM BEING IMPROPERLY ASSEMBLED AFTER PURCHASE.
- BOLTS MAY LOOSEN DURING NORMAL EVERYDAY USE. THEY SHOULD BE INSPECTED AT LEAST EVERY 3 MONTHS AND RE-TIGHTEN AS NEEDED TO PREVENT DAMAGE OR INJURY, AND ENSURE STABILITY.






 <p>PEOPLE NEEDED</p>	 <p>300 lbs seat</p> <p>WEIGHT LIMIT</p>	 <p>ESTIMATED TIME</p>
--	---	---

PARTS LIST

①	CHAIR TOP		1 PC
②	FRONT LEGS		2 PCS
③	BACK LEGS		2 PCS

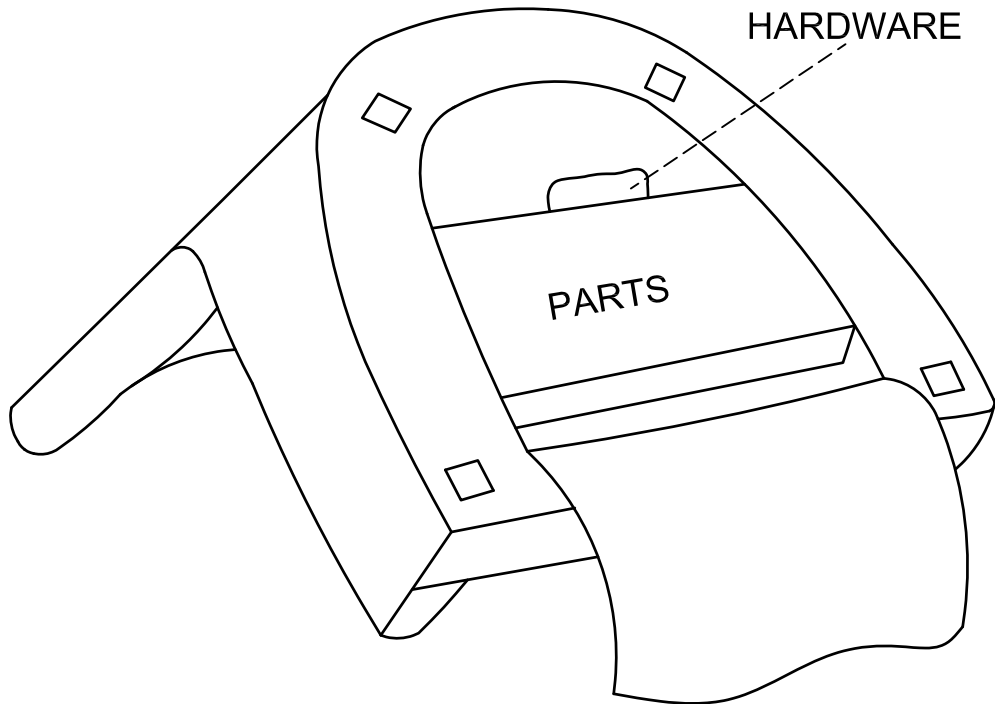


HARDWARE LIST

A	LONG BOLT - Ø5/16" x 2-1/2"		4 PCS
B	SHORT BOLT - Ø5/16" x 2"		4 PCS
C	LOCK WASHER - 5/16"		8 PCS
D	FLAT WASHER - 5/16"		8 PCS
E	ALLEN KEY - 5/16"		1 PC

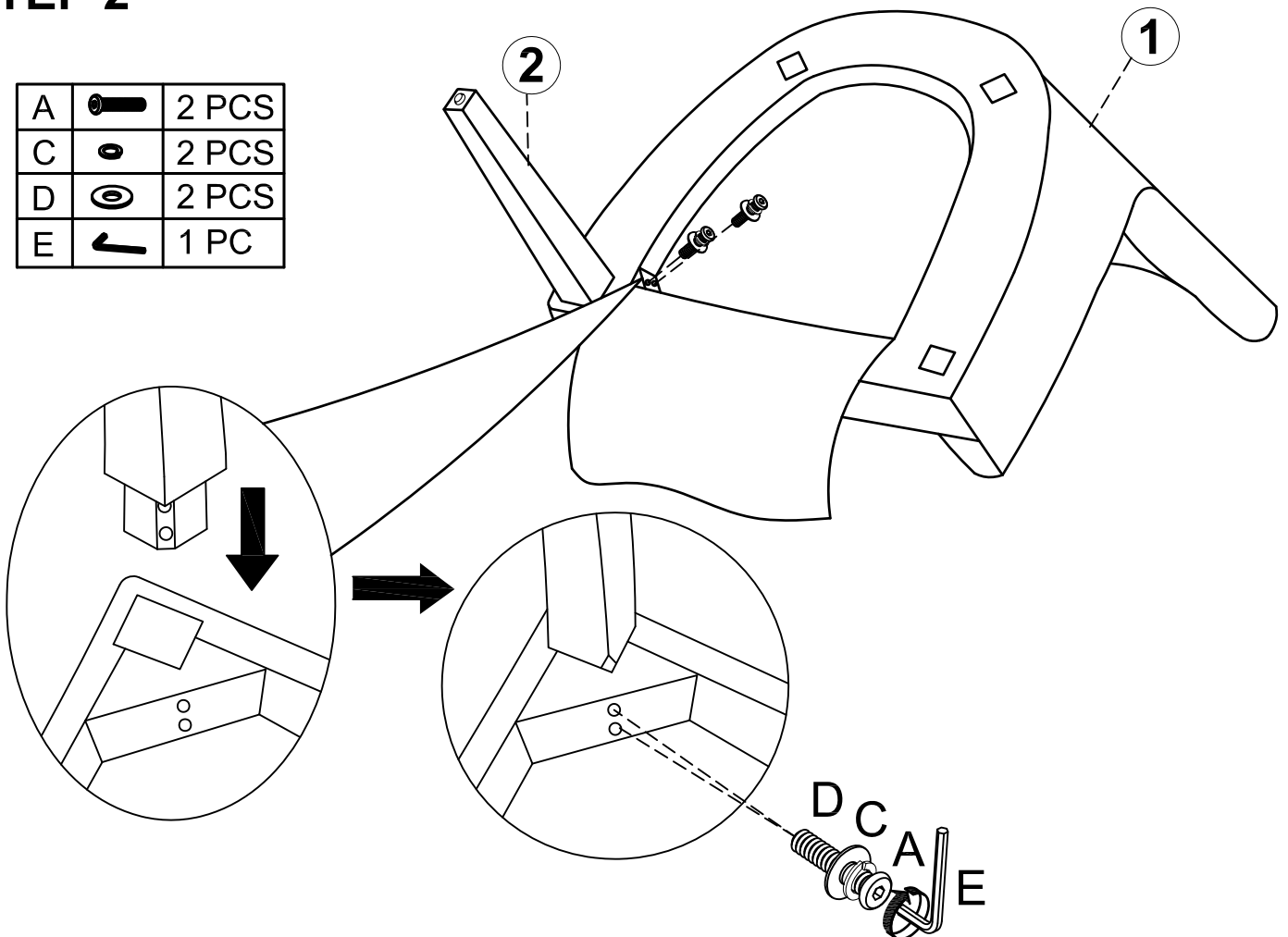
STEP 1

LOCATE PARTS AND HARDWARE FROM CHAIR BOTTOM.







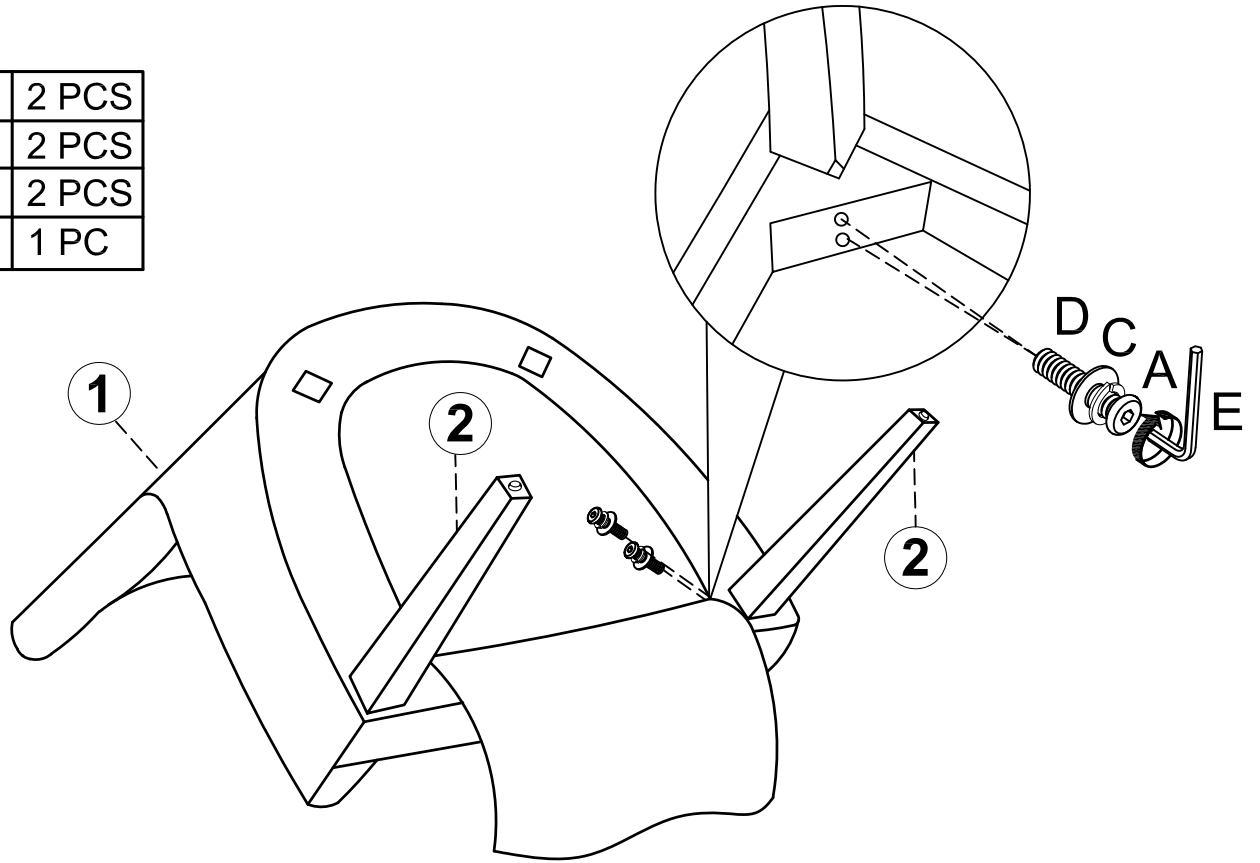
STEP 2

A		2 PCS
C		2 PCS
D		2 PCS
E		1 PC







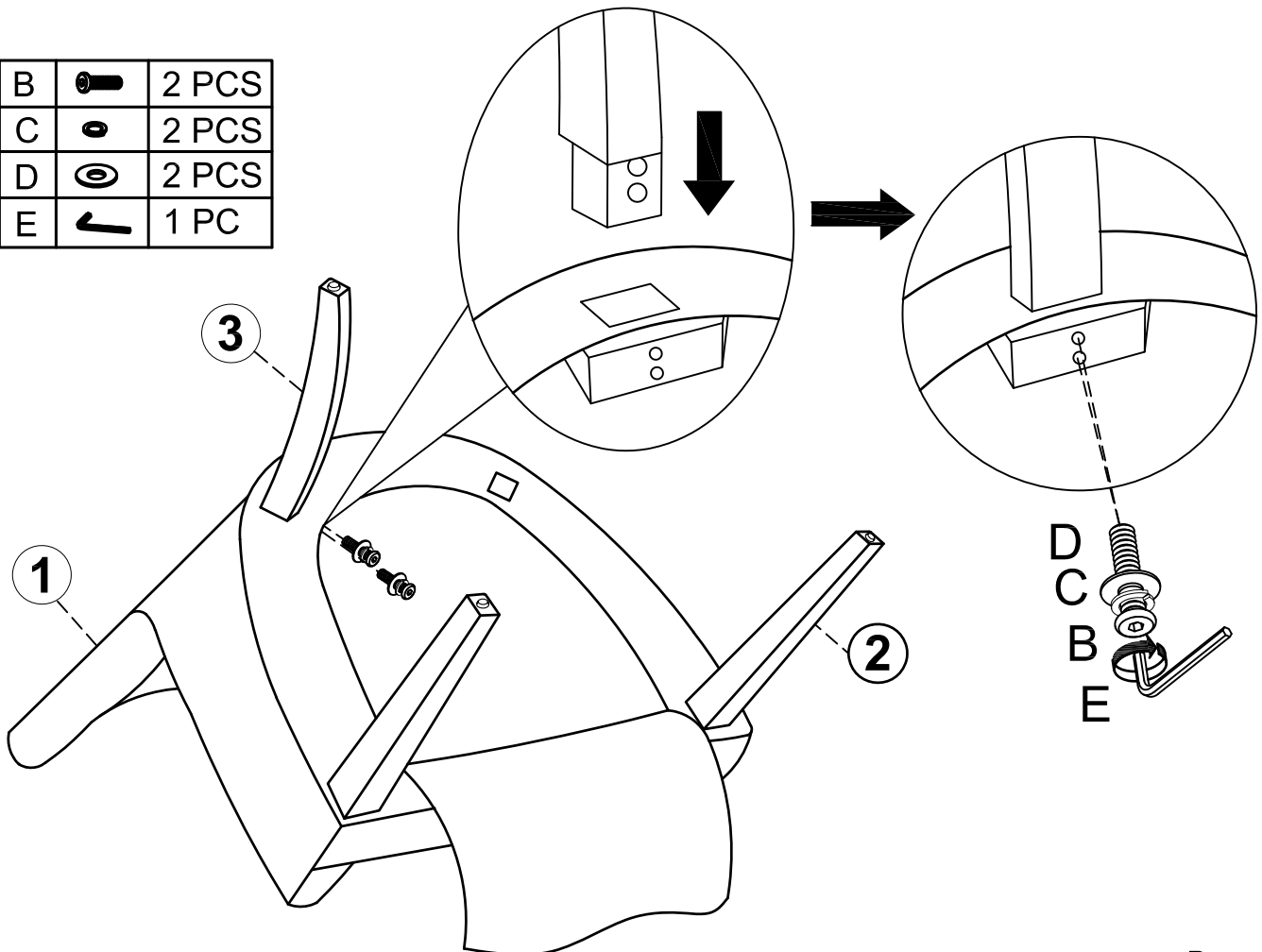
STEP 3

A		2 PCS
C		2 PCS
D		2 PCS
E		1 PC







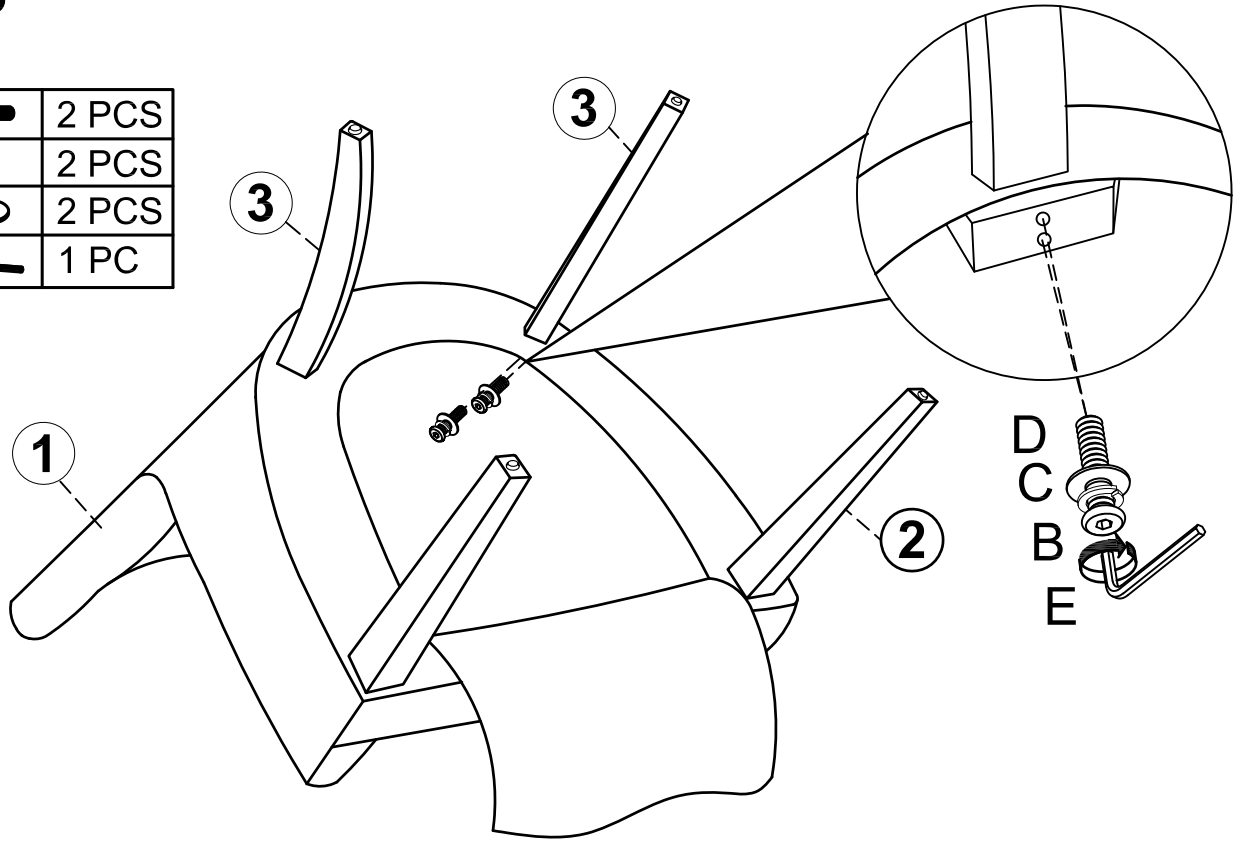
STEP 4

B		2 PCS
C		2 PCS
D		2 PCS
E		1 PC



STEP 5

B		2 PCS
C		2 PCS
D		2 PCS
E		1 PC



RECOVER THE FABRIC COVER.

