

Bryce Dining chair






Important safety instructions:

- Please read carefully all instructions before assembly.
- Keep instructions for future use.






Pre-assembly:

- Do not discard any content until assembly is completed to avoid accidentally discarding small parts or hardware.
- Remove all parts and hardware from box along with any protective packaging.

Parts List

Item	Description	QTY
P1	Seat 	1
P2	Back Support 	1
P3	Top Stretcher 	1
P4	Left Base 	1
P5	Right Base 	1

Hardware List

Item	Description	QTY
H1	Long Bolt (M6x60mm) 	4
H2	Short Bolt (M6x16mm) 	6
H3	Washers (Φ6xΦ10)*2mm 	2
H4	Washers (Φ6xΦ16)*1.5mm 	2
H5	Allen Wrench M6 	1

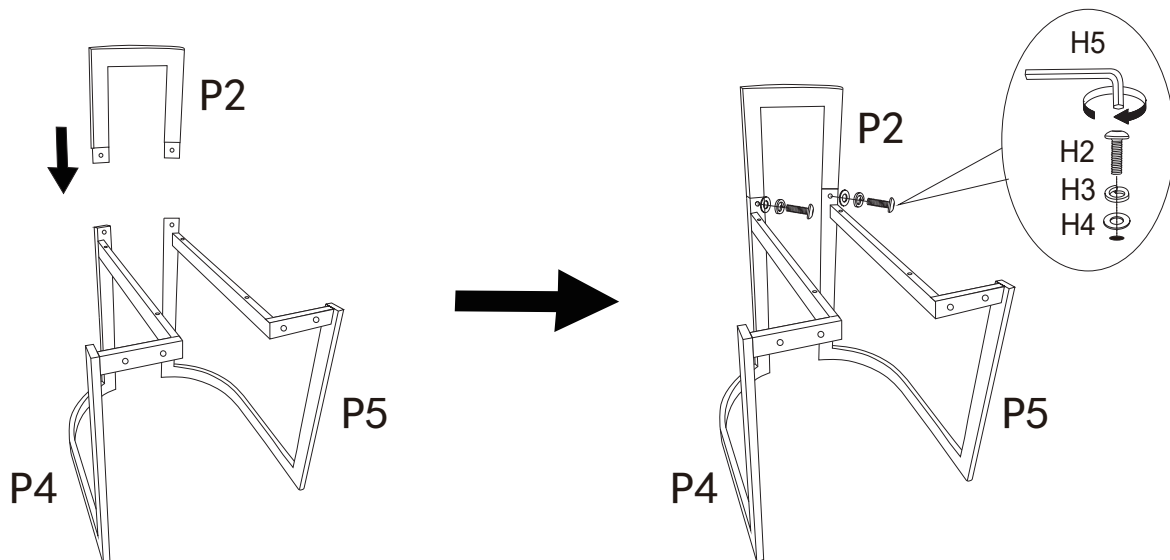
DISCLAIMER:

WHEN PROPERLY ASSEMBLED, THIS ITEM IS SAFE FOR INTENDED USE. SELLER IS NOT LIABLE FOR ANY DAMAGES RESULTING FROM ITEM BEING IMPROPERLY ASSEMBLED AFTER PURCHASE.

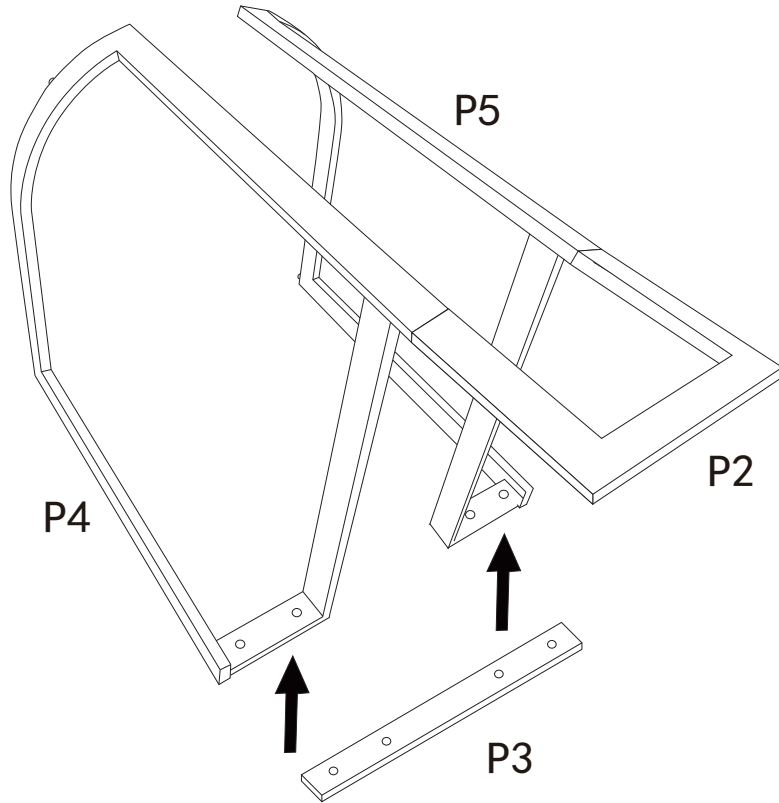
Assembly Procedures:

Step 1. Assemble the chair on a flat, soft surface such as a carpet or cloth to prevent scratching.

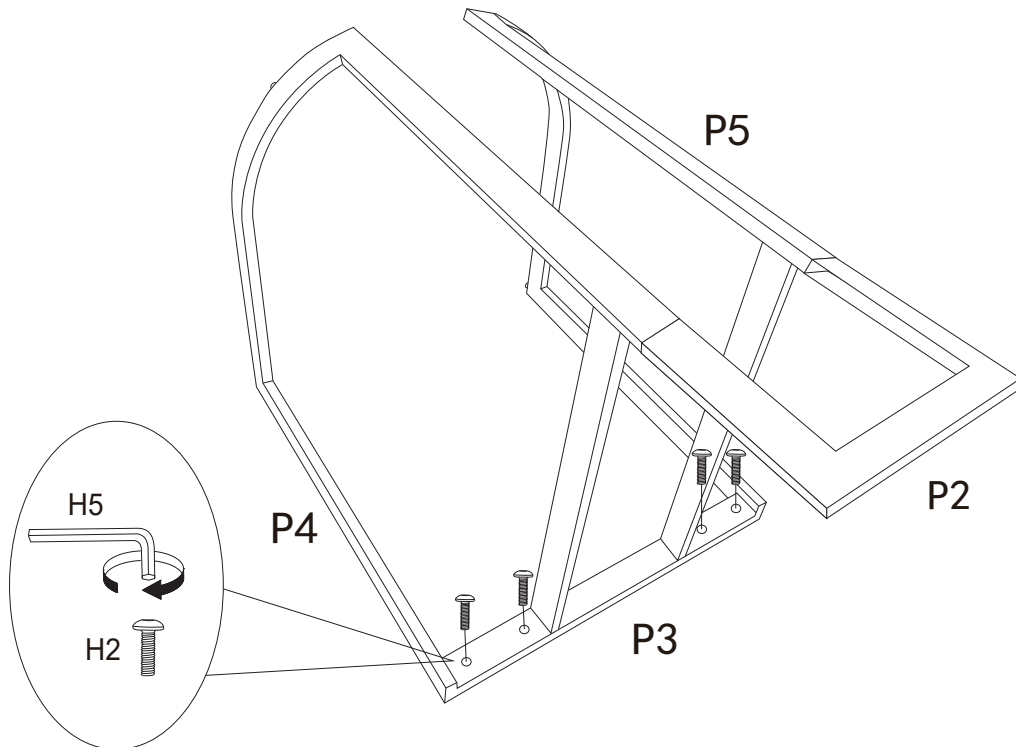
Put down the back support(P2) to connect the base, loosely tighten the two bolts(H2) (H3) (H4) with allen wrench(H5) as below.



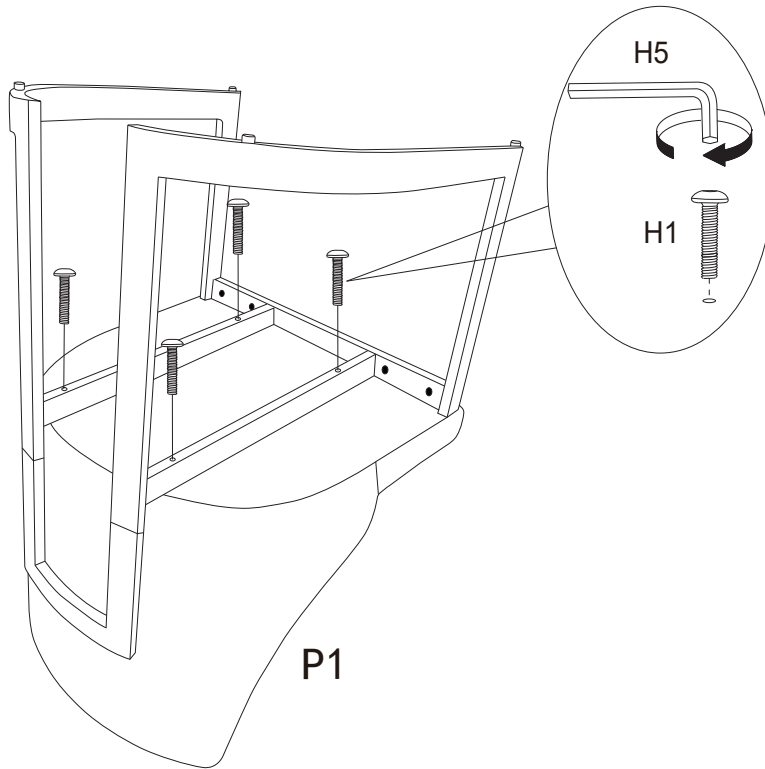
Step 2. Connect the top stretcher(P3) to the base frame as below.



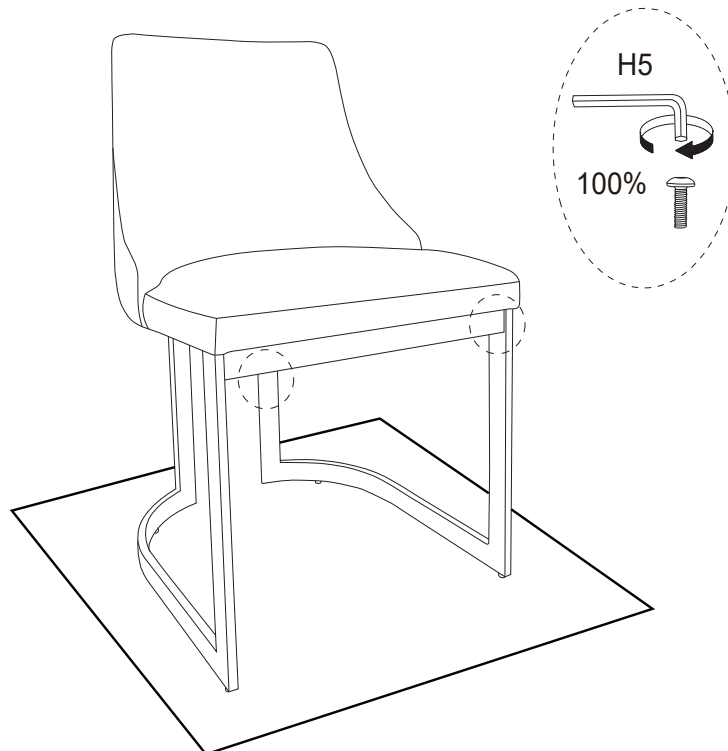
Step 3. Fully tighten the four bolts(H2) with allen wrench(H5).



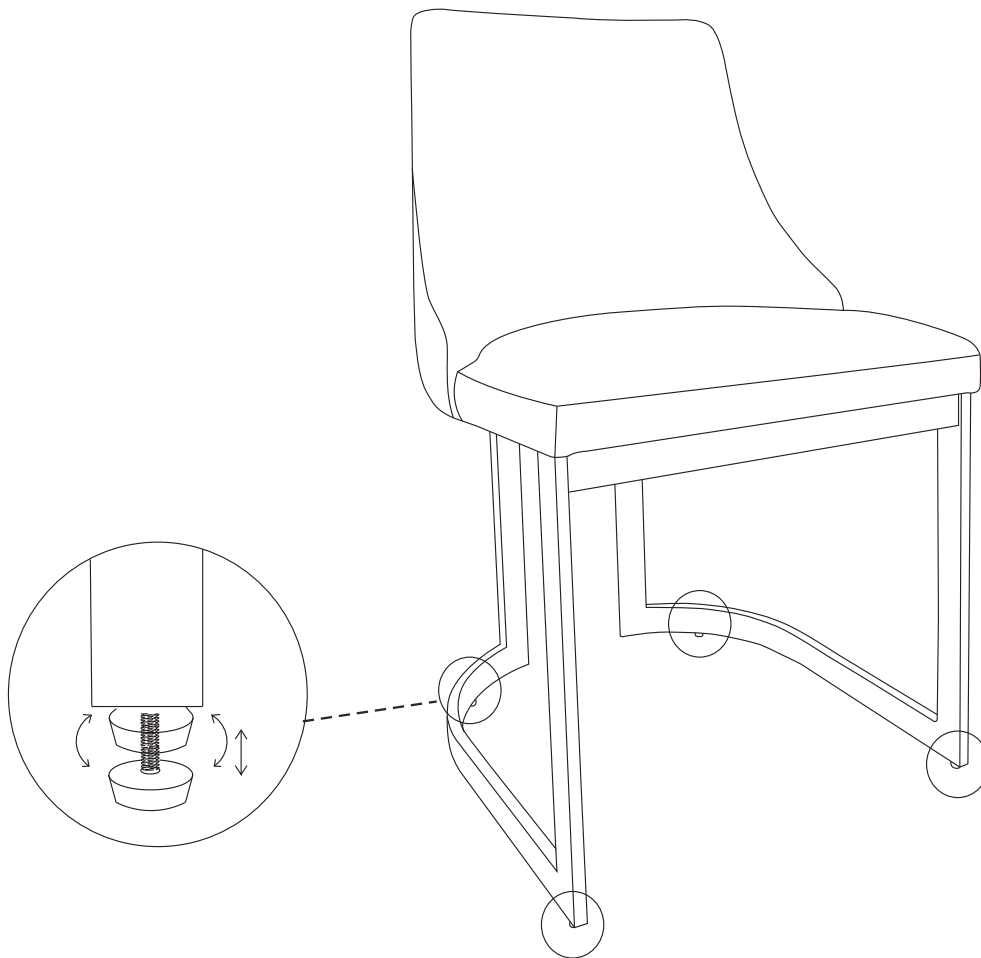
Step 4. Turn over the chair seat (P1) and fully tighten four bolts (H1) with allen wrench (H5).



Step 5. Use an Allen wrench (H5) to completely tighten the remaining bolts.



Step 6. Assembly is complete. Failure to follow these instructions may cause the bolts to misalign during assembly.
Leveler adjustment: Levelers are pre-installed on the legs. Adjust as needed to make sure the chair is level.



ADDITIONAL NOTE ABOUT SAFETY:
BOLTS MAY LOOSEN DURING NORMAL EVERYDAY USE.
THEY SHOULD BE INSPECTED AT LEAST EVERY 3 MONTHS AND RE-TIGHTENED AS NEEDED TO PREVENT DAMAGE OR INJURY,
AND ENSURE STABILITY.

Thank you for your purchase