

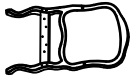





**Important safety instructions:**

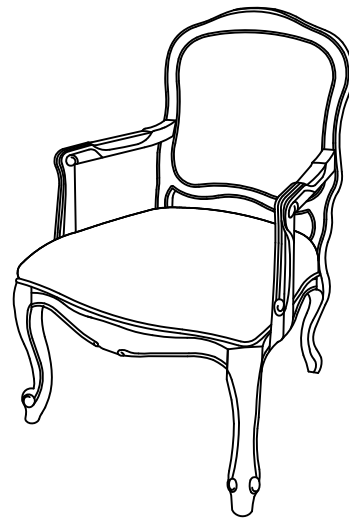
- Please read carefully all instructions before assembly.
- For your safety and ease, assembly by two or more adults is recommended.
- Keep instructions for future use.

**Pre-assembly:**

- Do not discard any content until assembly is complete to avoid accidentally discarding small parts or hardware.
- Take out all parts and hardware from box.

**Parts List**

Item	Description		QTY
P1	Chair Back		1
P2	Front legs		2
P3	Left Arm		1
P4	Right Arm		1
P5	Seat Frame		1
P6	Seat Cushion		1



**Hardware List**

Item	Description		QTY
H1	Big Long Bolts Ø5/16"×2-1/2"		8
H2	Big Short Bolts Ø5/16"×1-3/4"		3
H3	Big Lock Washers 5/16"		11
H4	Big Flat Washers 5/16"		11
H5	Big Allen Wrench 5/16"		1
H6	Small Short Bolts Ø1/4"×1-3/4"L		2
H7	Small Long Bolts Ø1/4"×1-1/2"L		2
H8	Small Lock Washers 1/4"		4
H9	Small Flat Washers 1/4"×5/8"		4
H10	Small Allen Wrench 1/4 "		1
H11	Screw		5
H12	Wooden Plugs		2

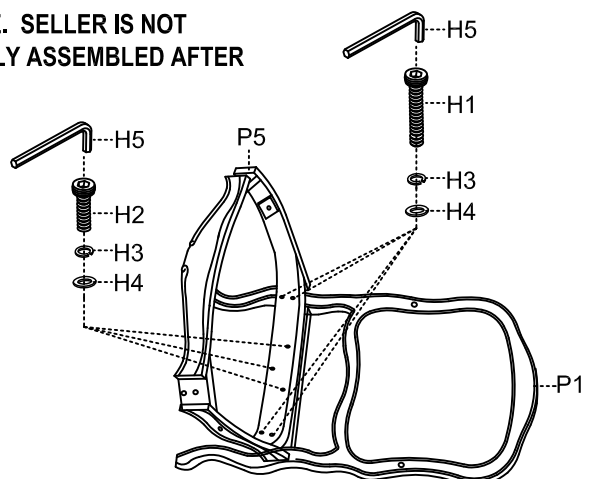
**DISCLAIMER:**

WHEN PROPERLY ASSEMBLED, THIS ITEM IS SAFE FOR INTENDED USE. SELLER IS NOT LIABLE FOR ANY DAMAGES RESULTING FROM ITEM BEING IMPROPERLY ASSEMBLED AFTER PURCHASE.





**Assembly Procedures:**

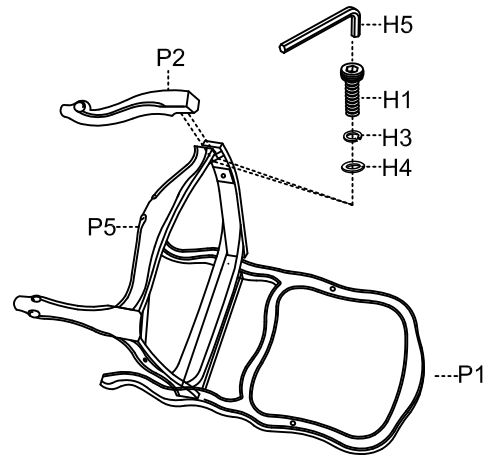
Step 1: Assemble the chair on a flat, soft surface such as a carpet or cloth to prevent scratching the finish. Attach the seat frame(P5) to the legs of chair back (P1) as shown below.

- (H1)x4 Big Long Bolts Ø5/16"×2-1/2"L 
- (H2)x3 Big Short Bolts Ø5/16"×1-3/4" 
- (H3)x7 Big Lock Washers 5/16" 
- (H4)x7 Big Flat Washers 5/16" 
- (H5)x1 Big Allen Wrench 5/16" 



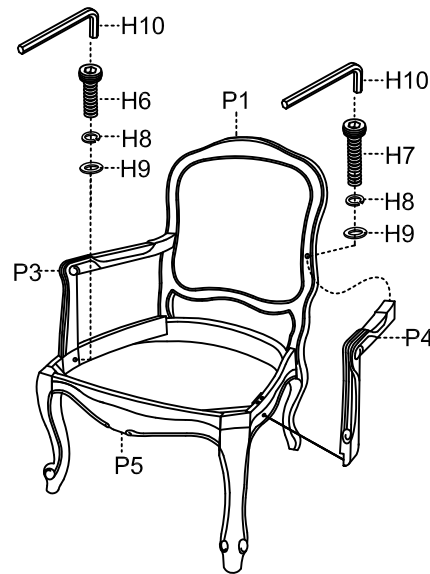
Step 2: Attach the front legs (P2) to the seat frame (P5) as shown below.

- (H1)x4 Big Long Bolts  $\text{\O}5/16'' \times 2-1/2'' \text{L}$  
- (H3)x4 Big Lock Washers 5/16" 
- (H4)x4 Big Flat Washers 5/16" 
- (H5)x1 Big Allen Wrench 5/16" 



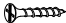

Step 3: Turn the assembled chair to an upright position. Attach the left arm (P3) and right arm (P4) to the seat frame (P5) and chair back (P1) as shown below.

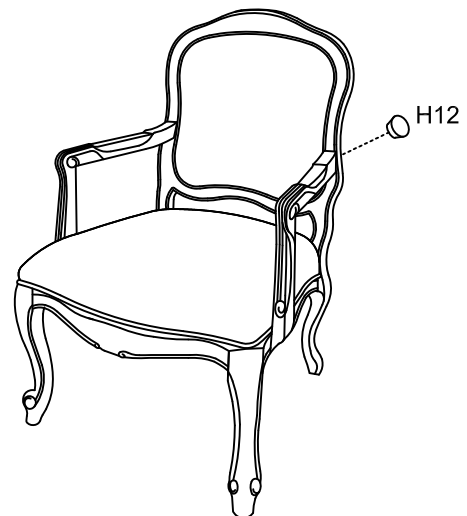
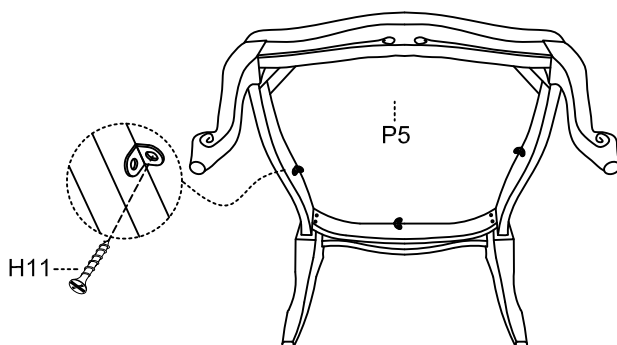
- (H6)x2 Small Short Bolts  $\text{\O}1/4'' \times 1-3/4'' \text{L}$  
- (H7)x2 Small Long Bolts  $\text{\O}1/4'' \times 1-1/2'' \text{L}$  
- (H8)x4 Small Lock Washers 1/4" 
- (H9)x4 Small Flat Washers 1/4" \* 5/8" 
- (H10)x1 Small Allen Wrench 1/4" 



Step 4: Make sure the chair is level and securely tighten all bolts with Allen wrench (H6 & H10).

- a. Attach the seat cushion (P6) to the seat frame (P5) as shown below.
- b. Attach wooden plugs (H12) to each exposed bolt holes, tighten with rubber hammer to knock the wooden plug till its tighten. **Note:** use a soft cloth between the wooden plug and hammer to prevent damage to wooden plug finish.
- c. Assembly is complete. **Failure to follow these instructions may cause the bolts to misalign during assembly.**

- (H11)x5 Screw 
- (H12)x2 Wooden Plugs 



**ADDITIONAL NOTE ABOUT SAFETY:**

**BOLTS MAY LOOSEN DURING NORMAL EVERYDAY USE.**

**THEY SHOULD BE INSPECTED AT LEAST EVERY 3 MONTHS AND RE-TIGHTENED AS NEEDED TO PREVENT DAMAGE OR INJURY, AND ENSURE STABILITY.**

Thank you for your purchase