


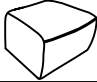



Important safety instructions:

- Please read carefully all instructions before assembly.
- For your safety and ease, assembly by two or more adults is recommended.
- Keep instructions for future use.

Pre-assembly:

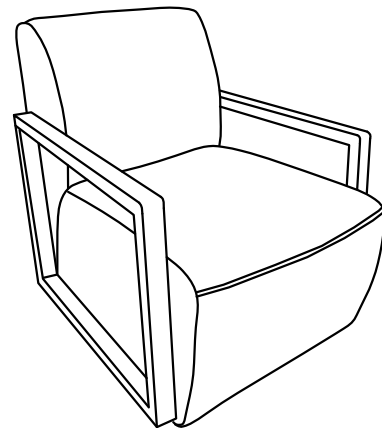
- Do not discard any content until assembly is complete to avoid accidentally discarding small parts or hardware.
- Take out all parts and hardware from box.

Parts List

Item	Description	QTY
P1	Chair Back 	1
P2	Seat Cushion 	1
P3	Left Arm  (P3)	1
P4	Right Arm  (P4)	1
P5	Metal Swivel 	1

Hardware List

Item	Description	QTY
H1	Small Short Bolts Ø1/4"*3/4" 	8
H2	Small Long Bolts Ø1/4"*1-3/4" 	6
H3	Small Lock Washers 1/4" 	14
H4	Small Flat Washers 1/4" 	14
H5	Big Bolts Ø5/16"*2" 	5
H6	Big Lock Washers 5/16" 	5
H7	Big Flat Washers 5/16" 	5
H8	Small Allen Wrench 1/4" 	1
H9	Big Allen Wrench 5/16" 	1
H10	Bracket 	2



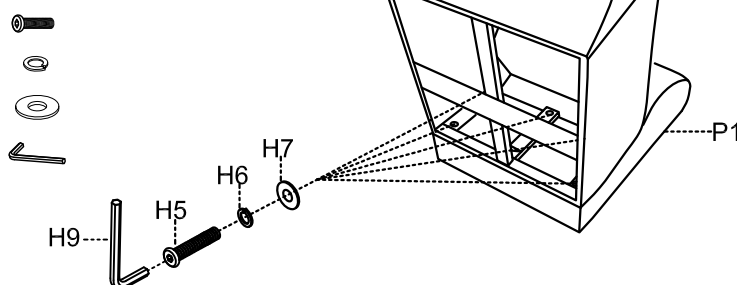
DISCLAIMER:

WHEN PROPERLY ASSEMBLED, THIS ITEM IS SAFE FOR INTENDED USE. SELLER IS NOT LIABLE FOR ANY DAMAGES RESULTING FROM ITEM BEING IMPROPERLY ASSEMBLED AFTER PURCHASE.

Assembly Procedures:

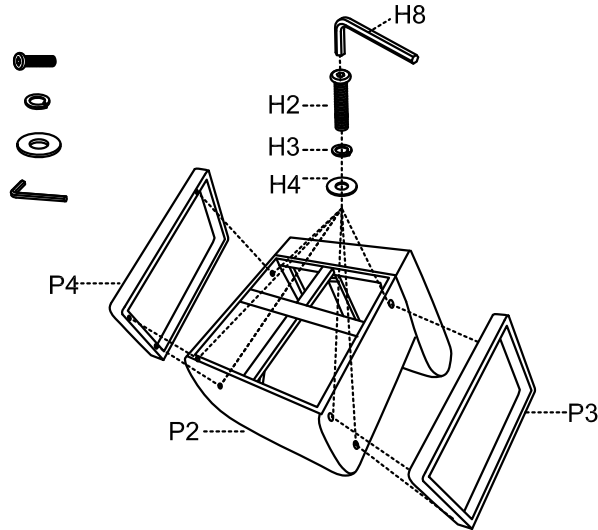
Step 1: Assemble the chair on a flat, soft surface such as a carpet or cloth to prevent scratching the finish. Open the bottom covering, then attach the seat cushion (P2) to the chair back (P1) as shown below.

- (H5)x5 Big Bolts Ø5/16"*2"
- (H6)x5 Big Lock Washers 5/16"
- (H7)x5 Big Flat Washers 5/16"
- (H9)x1 Big Allen Wrench 5/16"



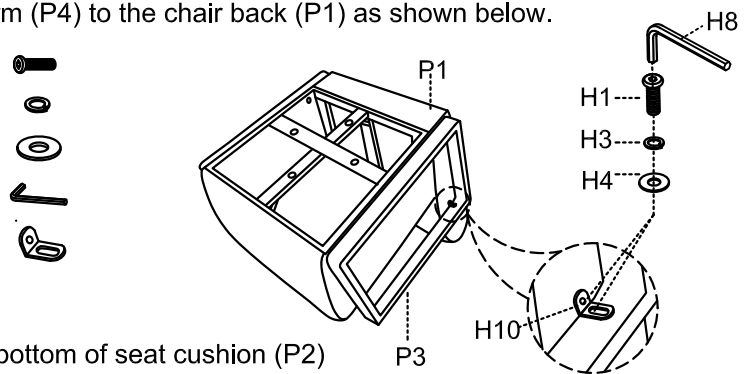
Step 2. Attach the left arm (P3) and right arm (P4) to the seat cushion (P2) as shown below.

- (H2)x6 Small Long Bolts $\text{Ø}1/4'' \times 1-3/4''$
- (H3)x6 Lock Washers 1/4"
- (H4)x6 Flat Washers 1/4"
- (H8)x1 Allen Wrench 1/4"



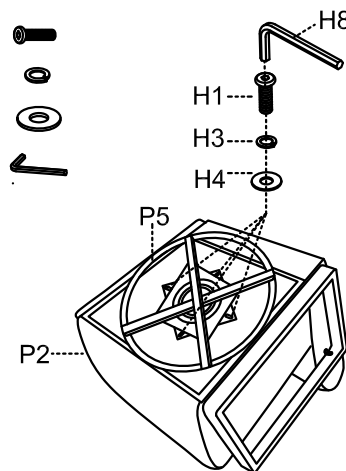
Step 3. Attach the left arm (P3) and right arm (P4) to the chair back (P1) as shown below.

- (H1)x4 Small Short Bolts $\text{Ø}1/4'' \times 3/4''$
- (H3)x4 Lock Washers 1/4"
- (H4)x4 Flat Washers 1/4"
- (H8)x1 Allen Wrench 1/4"
- (H10)x2 Bracket

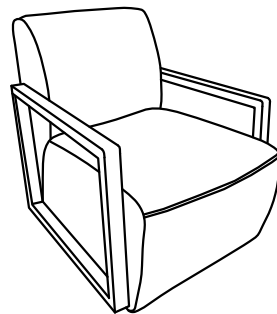


Step 4. Attach the metal swivel (P5) to the bottom of seat cushion (P2) as shown below.

- (H1)x4 Small Short Bolts $\text{Ø}1/4'' \times 3/4''$
- (H3)x4 Lock Washers 1/4"
- (H4)x4 Flat Washers 1/4"
- (H8)x1 Allen Wrench 1/4"



Step 5. Securely tighten all bolts, turn the assembled chair to an upright position. Assembly is complete. **Failure to follow these instructions may cause the bolts to misalign during assembly.**



ADDITIONAL NOTE ABOUT SAFETY:

BOLTS MAY LOOSEN DURING NORMAL EVERYDAY USE.

THEY SHOULD BE INSPECTED AT LEAST EVERY 3 MONTHS AND RE-TIGHTENED AS NEEDED TO PREVENT DAMAGE OR INJURY, AND ENSURE STABILITY.

Thank you for your purchase