

# MADISON PARK® ASSEMBLY INSTRUCTIONS

## Description: Renate Dining Table

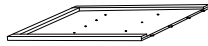

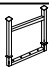

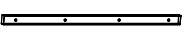
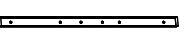
### Important safety instructions:

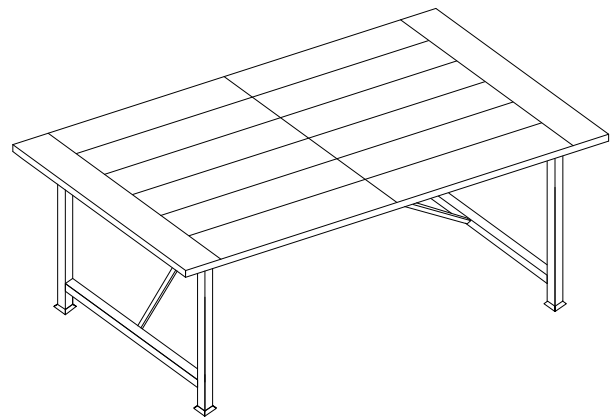
- Please read carefully all instructions before assembly.
- For your safety and ease, assembly by two or more adults is recommended.
- Keep instructions for future use.

### Pre-assembly:








- Do not discard any content until assembly is complete to avoid accidentally discarding small parts or hardware.
- Take out all parts and hardware from box.

### Parts List

Item	Description	QTY
P1	Left Top Panel 	1
P2	Right Top Panel 	1
P3	Metal Legs 	2
P4	Metal Support Bar 1 	2
P5	Metal Support Bar 2 	2
P6	Metal Support Bar 3 	1



### Hardware List

Item	Description	QTY
H1	Long Bolts $\varnothing 1/4$ "x2-1/8" 	12
H2	Medium Bolts $\varnothing 1/4$ "x1-1/4" 	8
H3	Short Bolts $\varnothing 1/4$ "x3/4" 	6
H4	Lock Washer 1/4" 	26
H5	Flat Washer 1/4" 	26
H6	Allen Wrench 1/4" 	1
H7	Wooden Dowel 	4

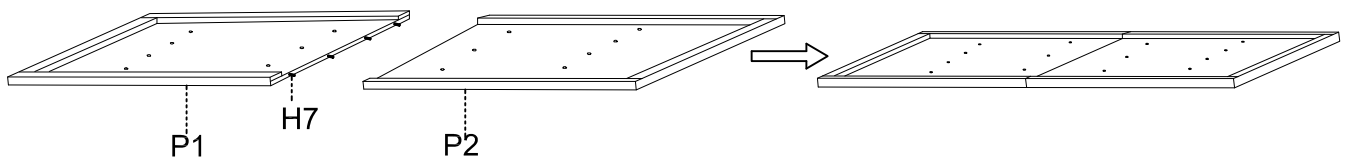
### DISCLAIMER:

WHEN PROPERLY ASSEMBLED, THIS ITEM IS SAFE FOR INTENDED USE. SELLER IS NOT LIABLE FOR ANY DAMAGES RESULTING FROM ITEM BEING IMPROPERLY ASSEMBLED AFTER PURCHASE.






### Assembly Procedures:

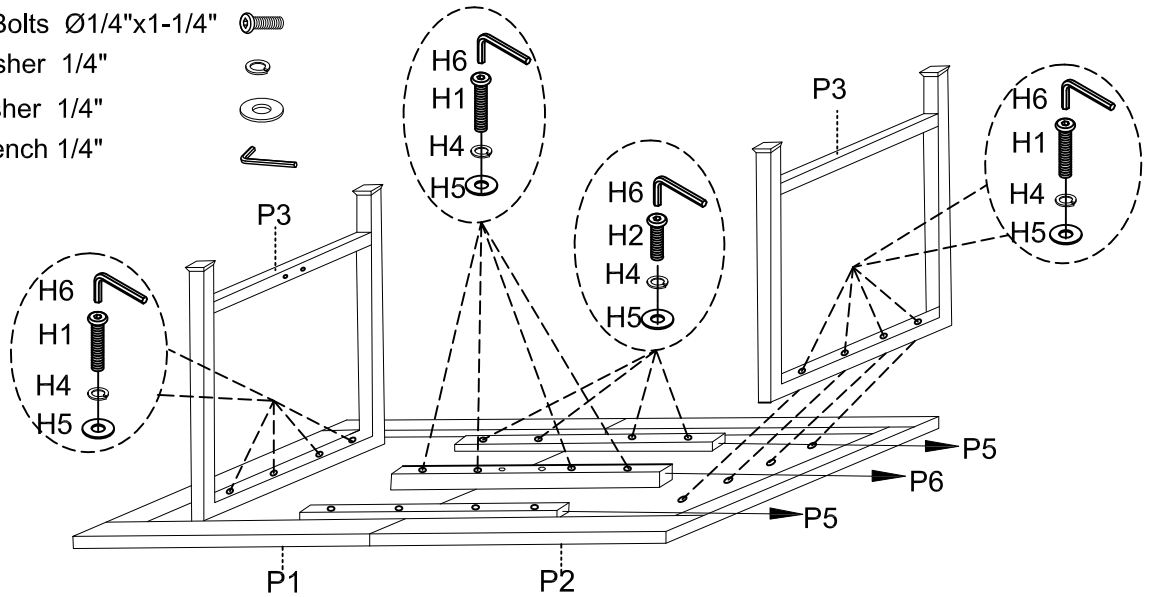
Step 1. Assemble the table on a flat, soft surface such as a carpet or cloth to prevent scratching the finish. Attach the left top panel (P1) and right top panel (P2) together, using wooden dowel (H7) as shown below.

(H7)x4 Wooden Dowel 



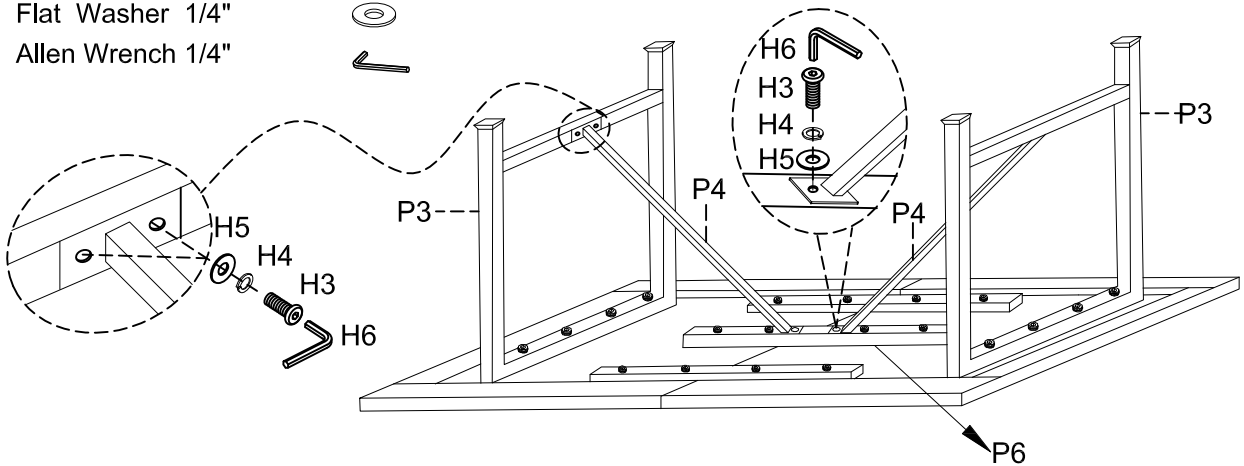
Step 2. Loosely attach the metal legs (P3) and metal support bar 2 (P5) and metal support bar3 (P6) to the left top panel (P1) and right top panel (P2) as shown below.

- (H1)x12 Long Bolts  $\varnothing 1/4" \times 2-1/8"$  
- (H2)x8 Medium Bolts  $\varnothing 1/4" \times 1-1/4"$  
- (H4)x20 Lock Washer 1/4" 
- (H5)x20 Flat Washer 1/4" 
- (H6)x1 Allen Wrench 1/4" 



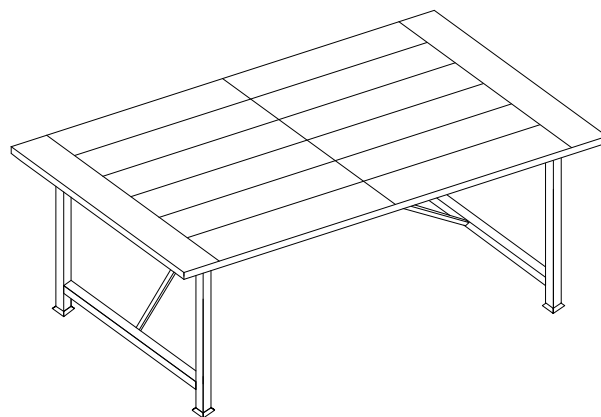
Step 3. Attach the metal support bars 1 (P4) to metal legs (P3) and metal support bar (P6) as shown below.

- (H3)x6 Short Bolts  $\varnothing 1/4" \times 3/4"$  
- (H4)x6 Lock Washer 1/4" 
- (H5)x6 Flat Washer 1/4" 
- (H6)x1 Allen Wrench 1/4" 



Step 4.

- 1) Securely tighten all bolts with Allen wrench (H6), turn the assembled table to an upright position.
- 2) Assembly is complete. **Failure to follow these instructions may cause the bolts to misalign during assembly.**



**ADDITIONAL NOTE ABOUT SAFETY:**

**BOLTS MAY LOOSEN DURING NORMAL EVERYDAY USE.**

**THEY SHOULD BE INSPECTED AT LEAST EVERY 3 MONTHS AND RE-TIGHTENED AS NEEDED TO PREVENT DAMAGE OR INJURY, AND ENSURE STABILITY.**

Thank you for you purchase