

# MADISON PARK® ASSEMBLY INSTRUCTIONS

Description: Lillie Accent Chair



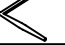


## Important safety instructions:

- Please read carefully all instructions before assembly.
- For your safety and ease, assembly by two or more adults is recommended.
- Keep instructions for future use.





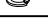



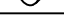

## Pre-assembly:

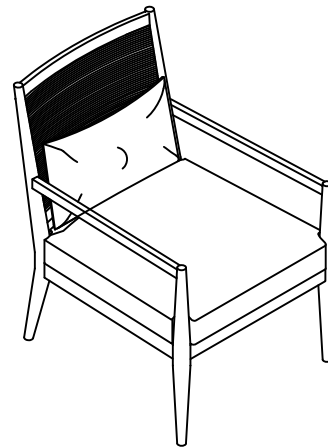
- Do not discard any content until assembly is complete to avoid accidentally discarding small parts or hardware.
- Take out all parts and hardware from box.

## Parts List

Item	Description		QTY
P1	Chair Back		1
P2	Seat Frame with Cushion		1
P3	Left Arm with Leg		1
P4	Right Arm with Leg		1
P5	Pillow		1

## Hardware List

Item	Description		QTY
H1	Long Bolts Ø5/16"*3"		8
H2	Large Lock Washers Ø5/16"		8
H3	Large Flat Washers Ø5/16"x19mm		8
H4	Short Bolts Ø1/4"*1-3/4"		3
H5	Small Lock Washers Ø1/4"		3
H6	Small Flat Washers Ø1/4"*12mm		2
H7	Large Allen Wrench 5/16"		1
H8	Small Allen Wrench 1/4"		1
H9	Wooden Plugs		2
H10	Flat Washers Ø1/4"*19mm		1



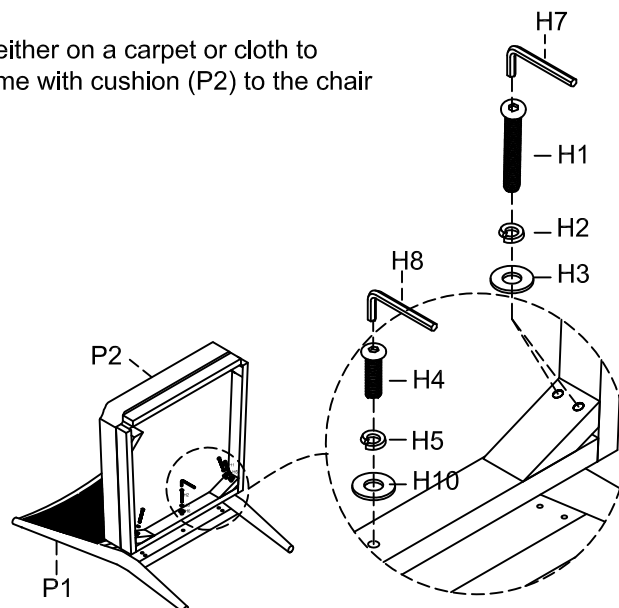
## DISCLAIMER:

WHEN PROPERLY ASSEMBLED, THIS ITEM IS SAFE FOR INTENDED USE. SELLER IS NOT LIABLE FOR ANY DAMAGES RESULTING FROM ITEM BEING IMPROPERLY ASSEMBLED AFTER PURCHASE.

## Assembly Procedures:

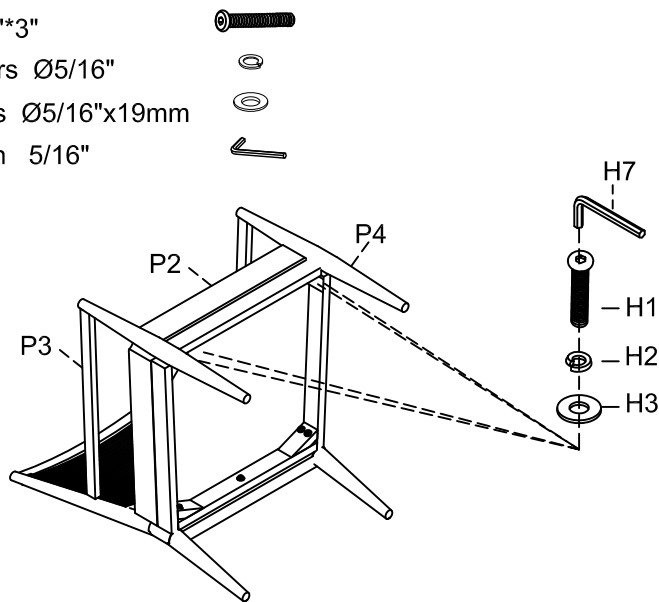
Step 1: Assemble the chair on a flat and soft surface either on a carpet or cloth to prevent the finish from scratching. Attach the seat frame with cushion (P2) to the chair back (P1) as shown.

- (H1)x4 Long Bolts Ø5/16"\*3" 
- (H2)x4 Large Lock Washers Ø5/16" 
- (H3)x4 Large Flat Washers Ø5/16"x19mm 
- (H4)x1 Short Bolts Ø1/4"\*1-3/4" 
- (H5)x1 Small Lock Washers Ø1/4" 
- (H10)x1 Flat Washers Ø1/4"\*19mm 
- (H7)x1 Large Allen Wrench 5/16" 
- (H8)x1 Small Allen Wrench 1/4" 



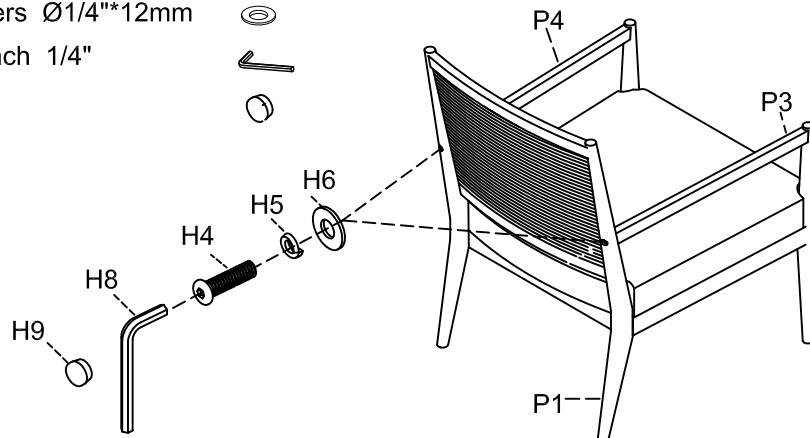
Step 2. Attach the left arm with Leg ( P3) and right arm with Leg (P4) to the seat frame with cushion (P2) as shown.

- (H1)x4 Long Bolts  $\text{Ø}5/16 \times 3$ "
- (H2)x4 Large Lock Washers  $\text{Ø}5/16$ "
- (H3)x4 Large Flat Washers  $\text{Ø}5/16 \times 19\text{mm}$
- (H7)x1 Large Allen Wrench  $5/16$ "



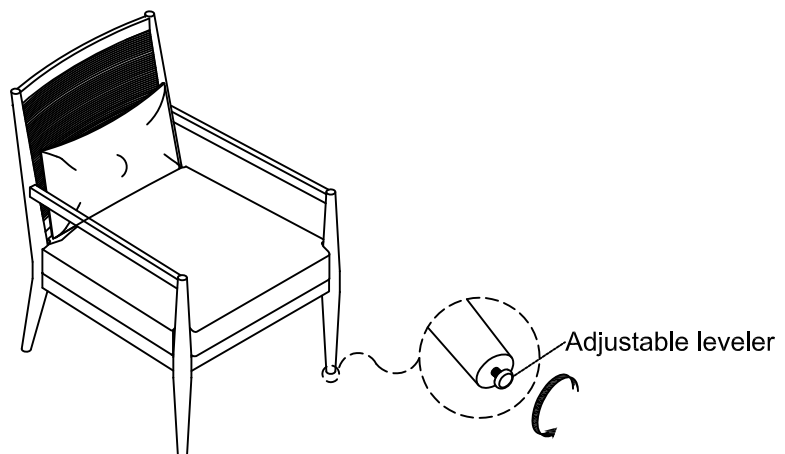
Step 3. Turn the assembled chair to an upright position, attach the left arm ( P3) and right arm (P4) to the chair back (P1) as shown.

- (H4)x2 Short Bolts  $\text{Ø}1/4 \times 1-3/4$ "
- (H5)x2 Small Lock Washers  $\text{Ø}1/4$ "
- (H6)x2 Small Flat Washers  $\text{Ø}1/4 \times 12\text{mm}$
- (H8)x1 Small Allen Wrench  $1/4$ "
- (H9)x2 Wooden Plugs



Step 4. Make sure the chair is level and securely tighten all bolts with Allen wrench (H7&H8). put the pillow (P5) to the chair, assembly is complete.

**Leveler adjustment:** Levelers are pre-installed on the front legs and adjust as needed to make sure the chair is leveled. **Failure to follow these instructions may cause the bolts to misalign during assembly.**



**ADDITIONAL NOTE ABOUT SAFETY:**

**BOLTS MAY LOOSEN DURING NORMAL EVERYDAY USE.**

**THEY SHOULD BE INSPECTED AT LEAST EVERY 3 MONTHS AND RE-TIGHTENED AS NEEDED TO PREVENT DAMAGE OR INJURY, AND ENSURE STABILITY.**

Thank you for your purchase