

ASSEMBLY INSTRUCTIONS

Description: IVAN ACCENT BENCH

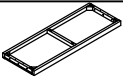
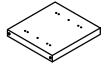

Important safety instructions:

- Please read carefully all instructions before assembly.
- For your safety and ease, assembly by two or more adults is recommended.
- Keep instructions for future use.





Pre-assembly:

- Do not discard any content until assembly is complete to avoid accidentally discarding small parts or hardware.
- Take out all parts and hardware from box.

Parts List

Item	Description	QTY
P1	Shelf 	2
P2	Legs 	2
P3	Seat cushion 	1

Hardware List





Item	Description	QTY
H1	Bolts Ø5/16"x55mm 	12
H2	Lock Washers Ø5/16" 	12
H3	Flat Washers Ø5/16"x19mm 	12
H4	Allen Key 4mm 	1

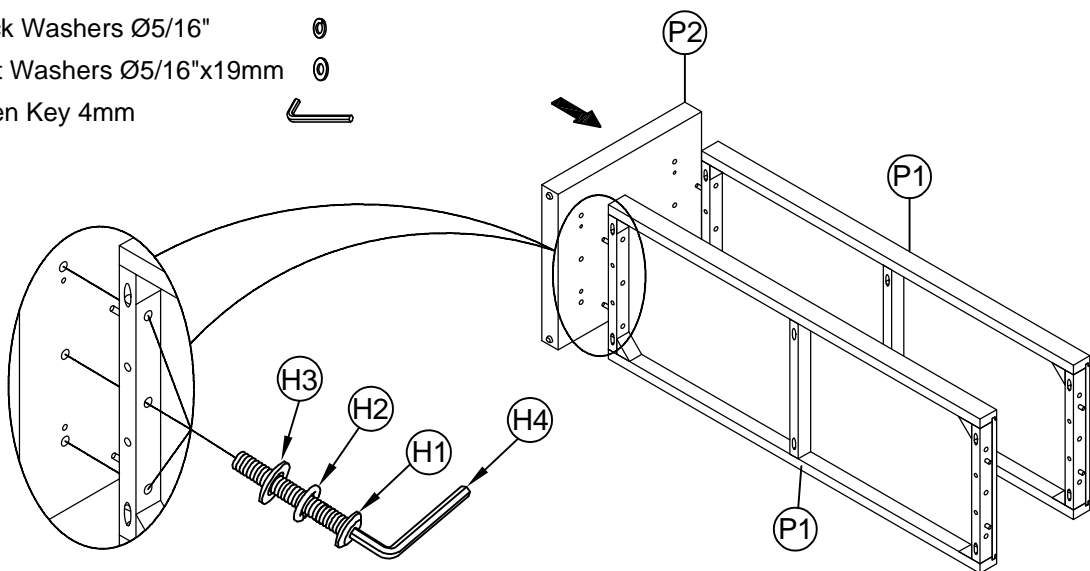
DISCLAIMER:

WHEN PROPERLY ASSEMBLED, THIS ITEM IS SAFE FOR INTENDED USE. SELLER IS NOT LIABLE FOR ANY DAMAGES RESULTING FROM ITEM BEING IMPROPERLY ASSEMBLED AFTER PURCHASE.





Assembly Procedures:

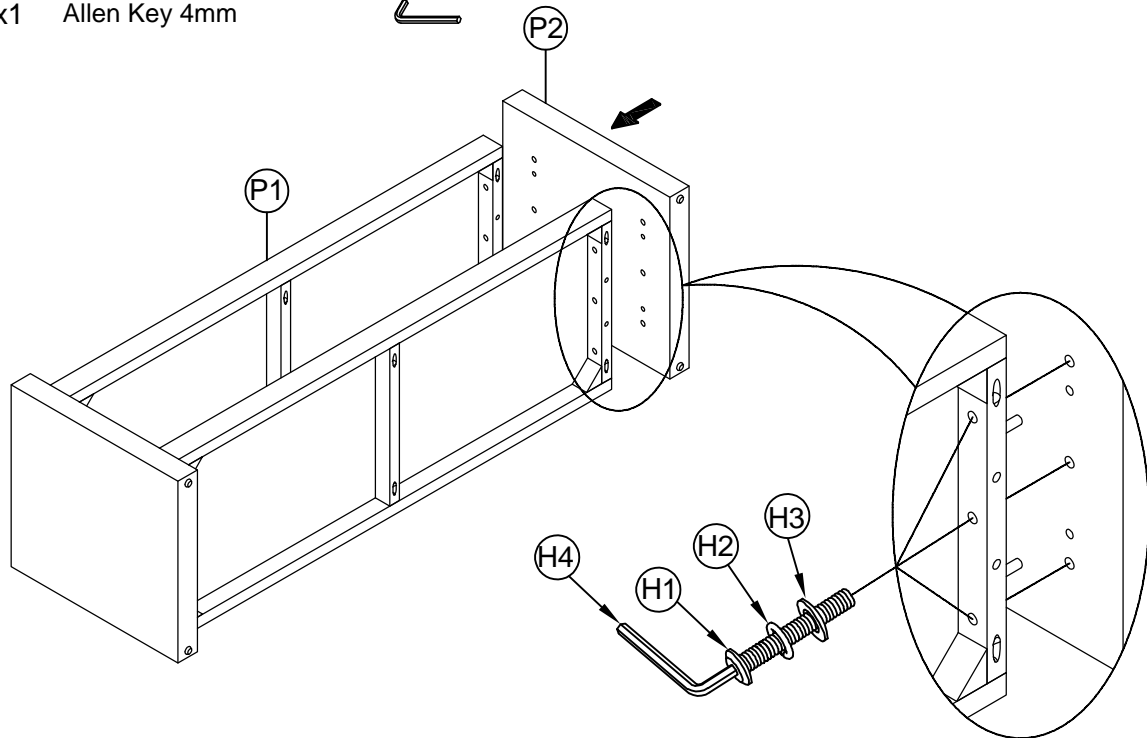
Step 1: Assemble the bench on a flat, soft surface such as a carpet or cloth to prevent scratching the finish. Attach the Shelf (P1) to Leg (P2) as shown below:

- (H1)x6 Bolts Ø5/16"x55mm 
- (H2)x6 Lock Washers Ø5/16" 
- (H3)x6 Flat Washers Ø5/16"x19mm 
- (H4)x1 Allen Key 4mm 

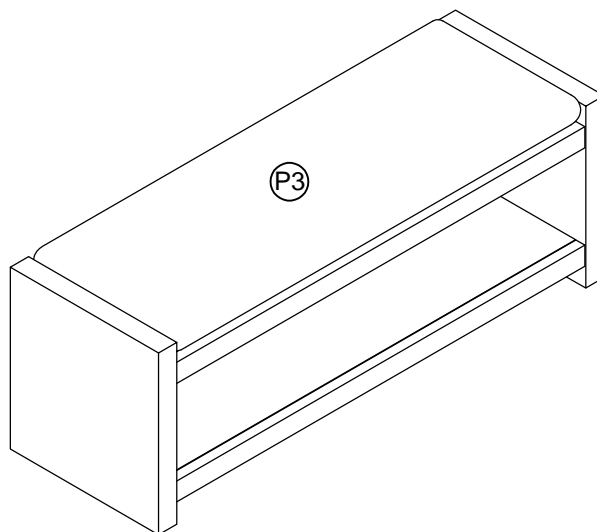


Step 2: Attach the leg (P2) to the shelf (P1) as shown below:

- (H1)x6 Bolts Ø5/16"x55mm 
- (H2)x6 Lock Washers Ø5/16" 
- (H3)x6 Flat Washers Ø5/16" 
- (H4)x1 Allen Key 4mm 



Step 3: Turn the assembled Bench to an upright position. Put seat cushion (P3) on top shelf.
Assembly is complete.



ADDITIONAL NOTE ABOUT SAFETY:

BOLTS MAY LOOSEN DURING NORMAL EVERYDAY USE.

THEY SHOULD BE INSPECTED AT LEAST EVERY 3 MONTHS AND RE-TIGHTENED AS NEEDED TO PREVENT DAMAGE OR INJURY, AND ENSURE STABILITY.

Thank you for your purchase