






#### Important safety instructions:

- Please read carefully all instructions before assembling.
- For your safety and ease, assembly by two or more adults is recommended.
- Keep instructions for future use.




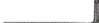








#### Pre-assembly:

- Do not discard any content until assembly is completed to avoid accidentally discarding small parts or hardware.
- Remove all parts and hardware from box along with any protective packaging.

#### Parts List

Item	Description	DRAWING	QTY
P1	Headboard		1
P2	Left Support Leg with 3 Mounting Brackets (With the sticker "Left" on the bottom)		1
P3	Right Support Leg with 3 Mounting Brackets (With the sticker "Right" on the bottom)		1
P4	Left Wing		1
P5	Right Wing		1

#### Hardware List

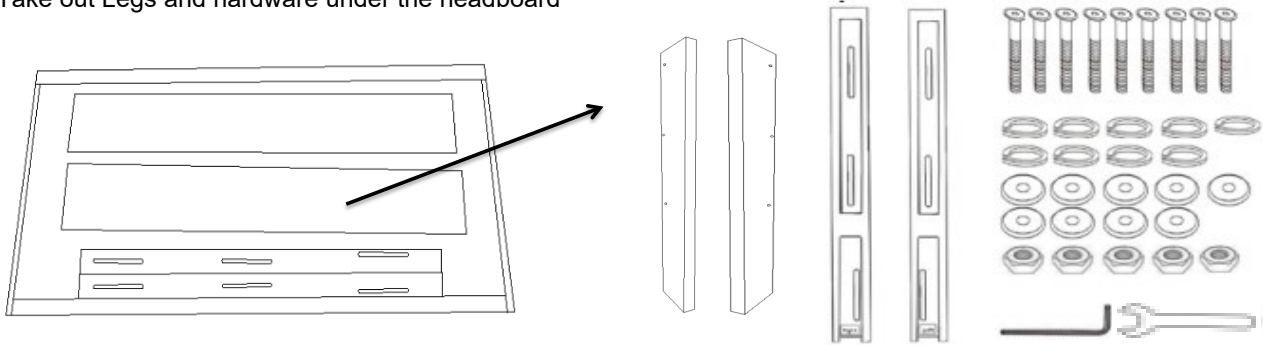
Item	Description	DRAWING	QTY	
H1	Bolt M8X25mm		5	<b>Pack A (Used to assemble the headboard)</b>
H2	Spring Washer		5	
H3	Flat Washer		5	
H4	Allen Key		1	
H5	Bolt M8X25mm		4	<b>Pack B (assemble the headboard to the bed frame)</b>
H6	Spring Washer		4	
H7	Flat Washer		4	
H8	Nut Cap		4	
H9	Solid Wrench		1	
H10	Bolt M8X50mm		7	<b>Pack C (assemble the wings to the headboard)</b>
H11	Spring Washer Ring		7	
H12	Small Flat Washer Ring		7	

#### DISCLAIMER:

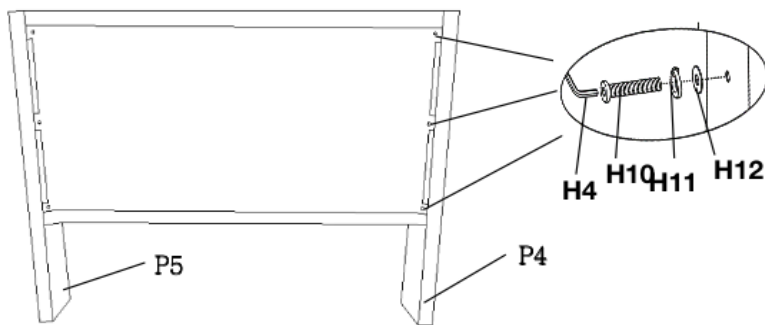
WHEN PROPERLY ASSEMBLED, THIS ITEM IS SAFE FOR INTENDED USE. SELLER IS NOT LIABLE FOR ANY DAMAGES RESULTING FROM ITEM BEING IMPROPERLY ASSEMBLED AFTER PURCHASE.

**Assembly Procedures:**

Step 1. Take out Legs and hardware under the headboard



Step 2.



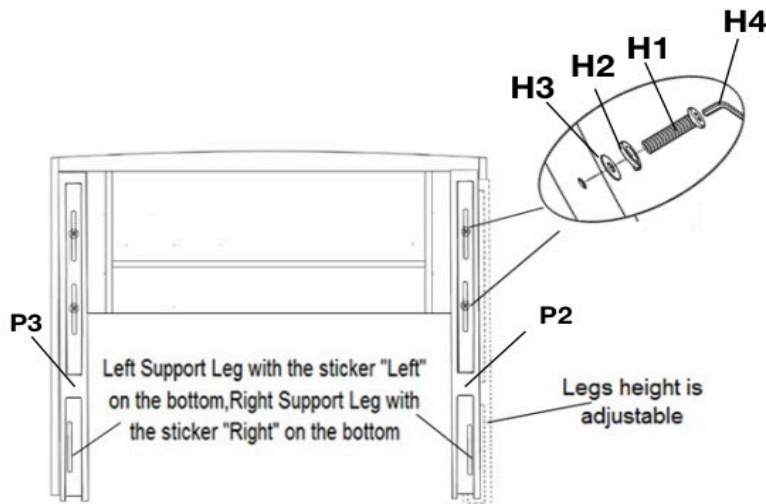
**Put the Headboard onto a flat surface.**

Align the mounting position on Headboard to the mounting position on Left Wing (P4).

Then, lock the mounting positions by using Flat washer (H12), Spring washer (H11), bolt (H10), Then tighten the bolts with allen wrench (H4).

Repeat the same steps to install the Right Wing (P5).

Step 2.



**Put the Headboard onto a flat surface.**

Align the mounting position on Headboard to the mounting position on Left Support Leg (P2).

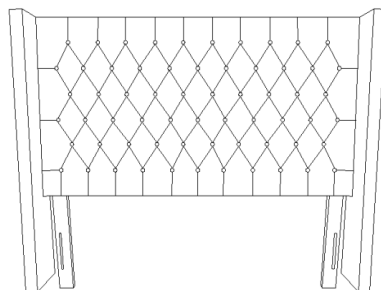
Then, lock the top and the middle mounting positions by Flat washer (H3), Spring washer (H2), bolt (H1), Then tighten the bolts with allen wrench (H4).

Repeat the same steps to install the Right Support Leg (P3).

At this point of assembly, DO NOT overfasten the connections.

The final height of the Headboard may be adjusted to your own need

Step 3. Headboard is ready to be assembled to bed frame using Pack B Parts.



**ADDITIONAL NOTE ABOUT SAFETY:**

BOLTS MAY LOOSEN DURING NORMAL EVERYDAY USE.

THEY SHOULD BE INSPECTED AT LEAST EVERY 3 MONTHS AND RE-TIGHTENED AS NEEDED TO PREVENT DAMAGE OR INJURY, AND ENSURE STABILITY.

Thank you for your purchase