

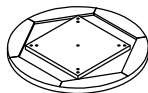
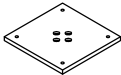
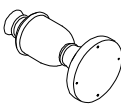
**Important safety instructions:**

- Please read carefully all instructions before assembling.
- For your safety and ease, assembly by two or more adults is recommended.
- Keep instructions for future use.





**Pre-assembly:**

- Do not discard any content until assembly completed to avoid accidentally discarding small parts or hardware.
- Take out all parts and hardwares from box.

Parts List

Item	Description		QTY
P1	Table Top		1
P2	Mounting Plate		1
P3	Post		1

Hardware List





Item	Description		QTY
H1	Bolt (Ø5/16 * 1-3/8")		8
H2	Spring Washers Ø5/16"		8
H3	Flat Washers Ø5/16"		8
H4	Allen Wrench		1

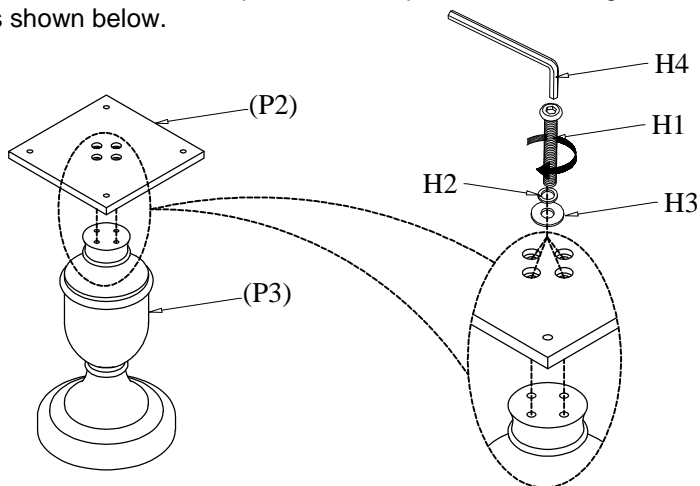
**DISCLAIMER:**

**WHEN PROPERLY ASSEMBLED, THIS ITEM IS SAFE FOR INTENDED USE. SELLER IS NOT LIABLE FOR ANY DAMAGES RESULTING FROM ITEM BEING IMPROPERLY ASSEMBLED AFTER PURCHASE.**





**Assembly Procedures:**

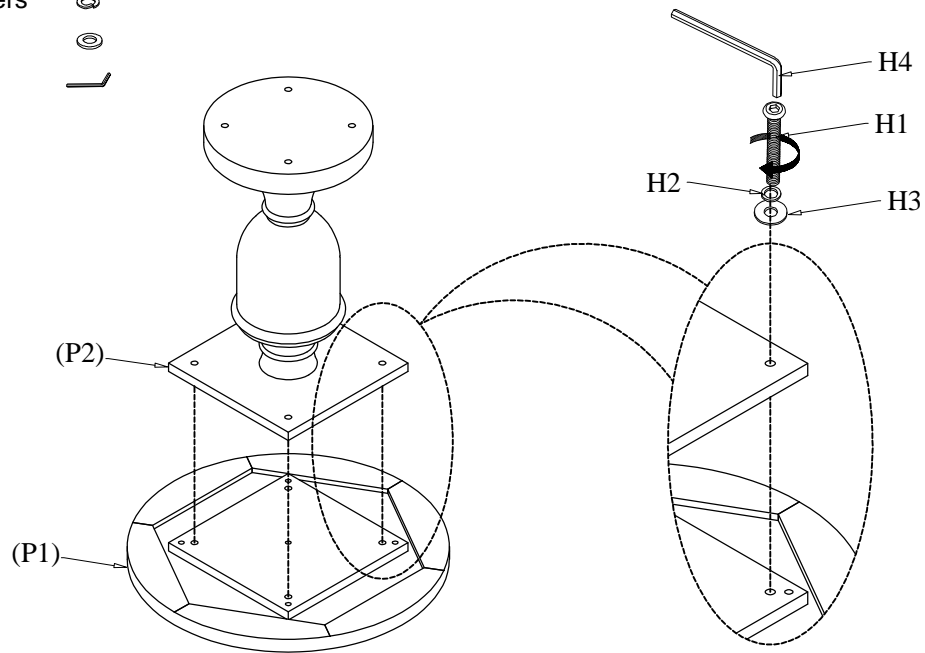
Step 1. Assemble the Table on a flat, soft surface such as a carpet or cloth to prevent scratching the finish. Attach Mounting Plate (P2) to Post (P3) as shown below.

- (H1)x4 Bolts 
- (H2)x4 Spring Washers 
- (H3)x4 Flat Washers 
- (H4) Allen Wrench 



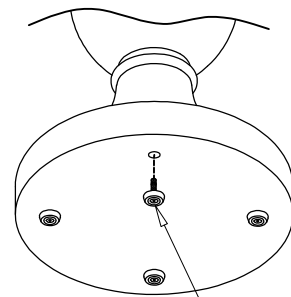
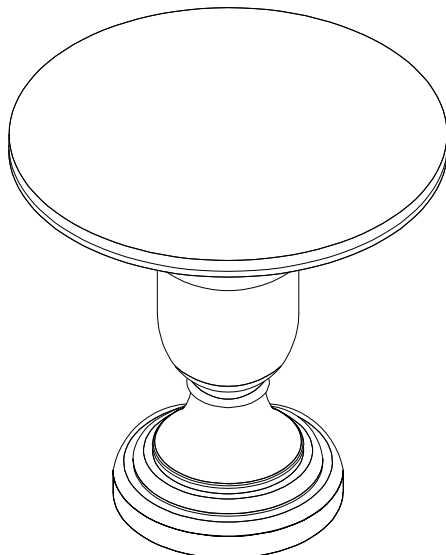
Step 2. Attach the Mounting Plate (P2) to Table Top (P1) as shown below.

- (H1)x4 Bolts 
- (H2)x4 Spring Washers 
- (H3)x4 Flat Washers 
- (H4) Allen Wrench 



Step 3.

1. Turn the assembled table to an upright position.
2. Assembly is complete. **Failure to follow these instructions may cause the bolts to misalign during assembly.**



Note: Post can be adjusted with adjustable levelers.

**ADDITIONAL NOTE ABOUT SAFETY:**  
**BOLTS MAY LOOSEN DURING NORMAL EVERYDAY USE.**  
**THEY SHOULD BE INSPECTED AT LEAST EVERY 3 MONTHS AND RE-TIGHTENED AS NEEDED TO PREVENT DAMAGE OR INJURY, AND ENSURE STABILITY.**

Thank you for your purchase