

ASSEMBLY INSTRUCTIONS

Description: WESTON DINING TABLE


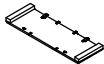

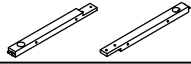
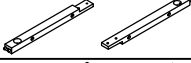

Important safety instructions:

- Please read carefully all instructions before assembly.
- For your safety and ease, assembly by two or more adults is recommended.
- Keep instructions for future use.




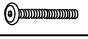
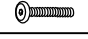

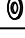

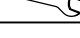
Pre-assembly:

- Do not discard any content until assembly is complete to avoid accidentally discarding small parts or hardware.
- Take out all parts and hardware from box.

Parts List

Item	Description	QTY
P1	Table Top 	1
P2	Table Leaf 	2
P3	Leg Frame 	2
P4	Support bar L & R 	2
P5	Support bar L & R 	2
P6	Stretcher L & R 	2

Hardware List

Item	Description	QTY
H1	Hanger Bolt Ø5/16x83mm 	6
H2	Hex Nut Ø5/16 x 12mm 	6
H3	Halfmoon Washer 	6
H4	Bolts Ø5/16"x65mm 	20
H5	Bolts Ø5/16"x35mm 	6
H6	Lock Washers Ø5/16" 	26
H7	Flat Washers Ø5/16"x19mm 	26
H8	Allen Key 4mm 	1
H9	Spanner (5/16") 	1


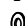


DISCLAIMER:

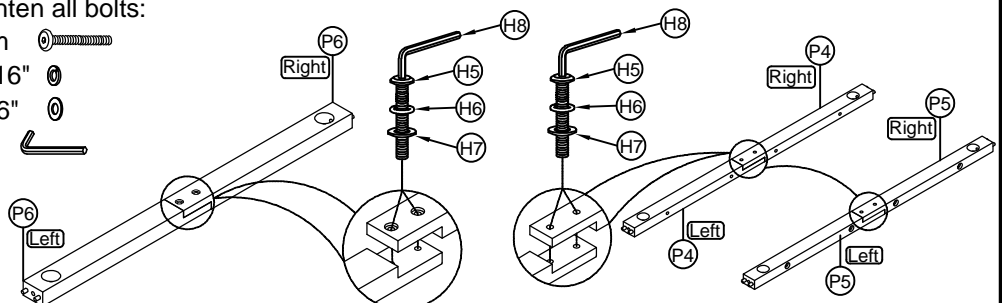
WHEN PROPERLY ASSEMBLED, THIS ITEM IS SAFE FOR INTENDED USE. SELLER IS NOT LIABLE FOR ANY DAMAGES RESULTING FROM ITEM BEING IMPROPERLY ASSEMBLED AFTER PURCHASE.

Assembly Procedures:

Step1: Assemble the table on a flat, soft surface such as a carpet or cloth to prevent scratching the finish.

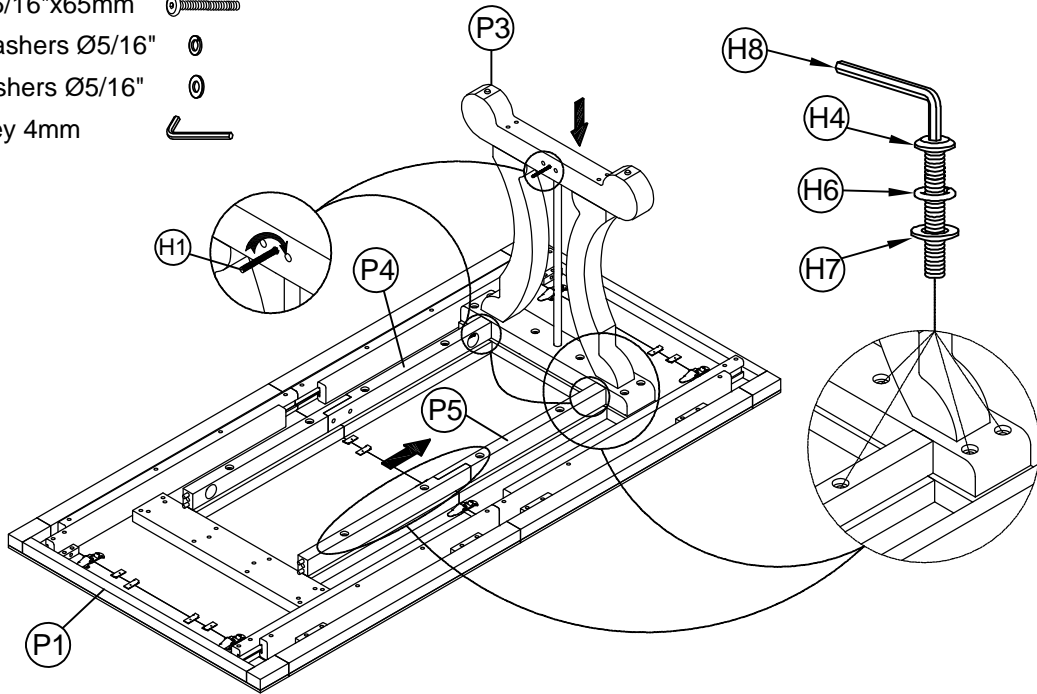
Attach the stretcher right (P6) to stretcher left (P6) and the support bar right (P4),(P5) to the support bar left (P4), (P5) as shown below, then tighten all bolts:

- (H5)x6 Bolts Ø5/16"x35mm 
- (H6)x6 Lock Washers Ø5/16" 
- (H7)x6 Flat Washers Ø5/16" 
- (H8)x1 Allen Key 4mm 











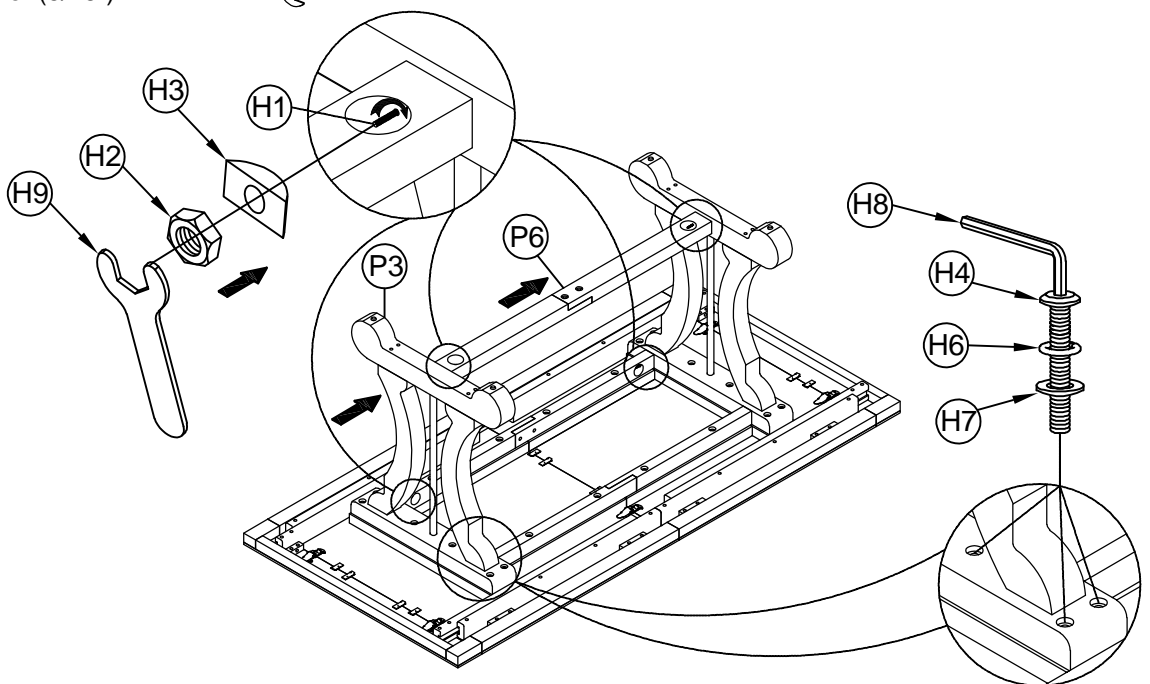
Step 2: Attach the leg frame (P3) to table top (P1) then attach the assemble support bar L & R (P4),(P5) to table top (P1) and leg frame (P3) as shown below:

- (H1)x3 Hanger Bolt $\text{Ø}5/16\text{''} \times 83\text{mm}$ 
- (H4)x14 Bolts $\text{Ø}5/16\text{''} \times 65\text{mm}$ 
- (H6)x14 Lock Washers $\text{Ø}5/16\text{''}$ 
- (H7)x14 Flat Washers $\text{Ø}5/16\text{''}$ 
- (H8)x1 Allen Key 4mm 



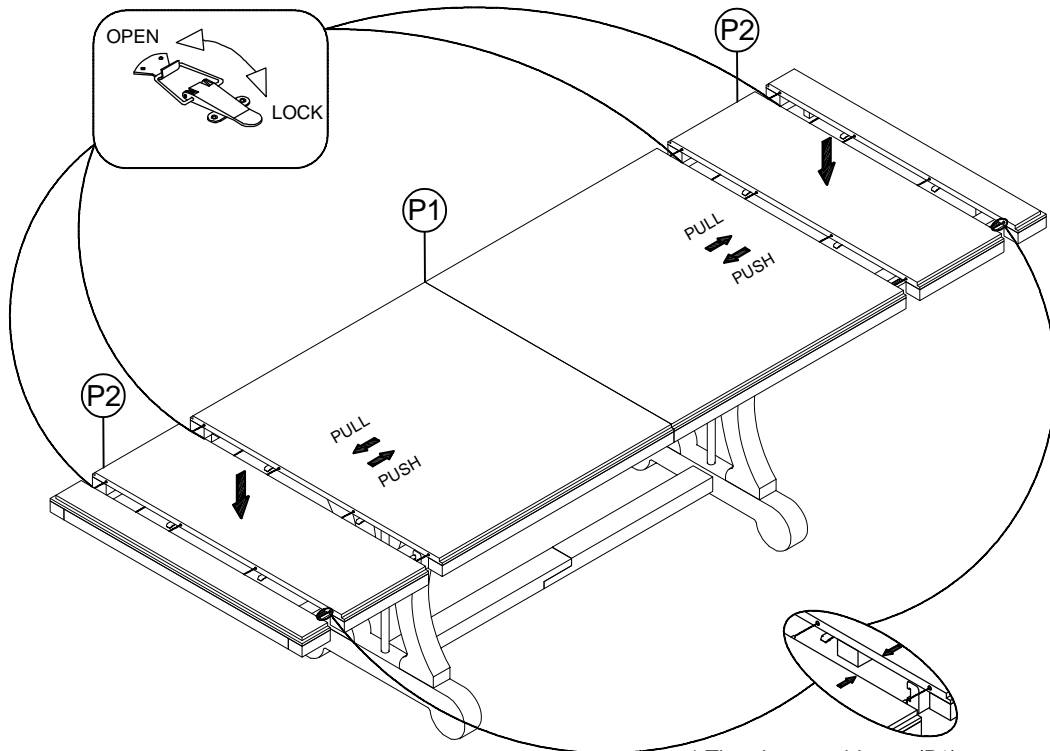
Step 3: Attach the assemble stretcher (P6) to leg frame (P3), then attach another leg frame (P3) to the support bar L&R (P4),(P5), the assemble stretcher (P6) and the table top (P1) as shown below:

- (H1)x6 Hanger Bolt $\text{Ø}5/16\text{''} \times 83\text{mm}$ 
- (H2)x6 Hex Nut $\text{Ø}5/16\text{''} \times 12\text{mm}$ 
- (H3)x6 Halfmoon Washer 
- (H4)x6 Bolts $\text{Ø}5/16\text{''} \times 65\text{mm}$ 
- (H6)x6 Lock Washers $\text{Ø}5/16\text{''}$ 
- (H7)x6 Flat Washers $\text{Ø}5/16\text{''}$ 
- (H8)x1 Allen Key 4mm 
- (H9)x1 Spanner (5/16") 

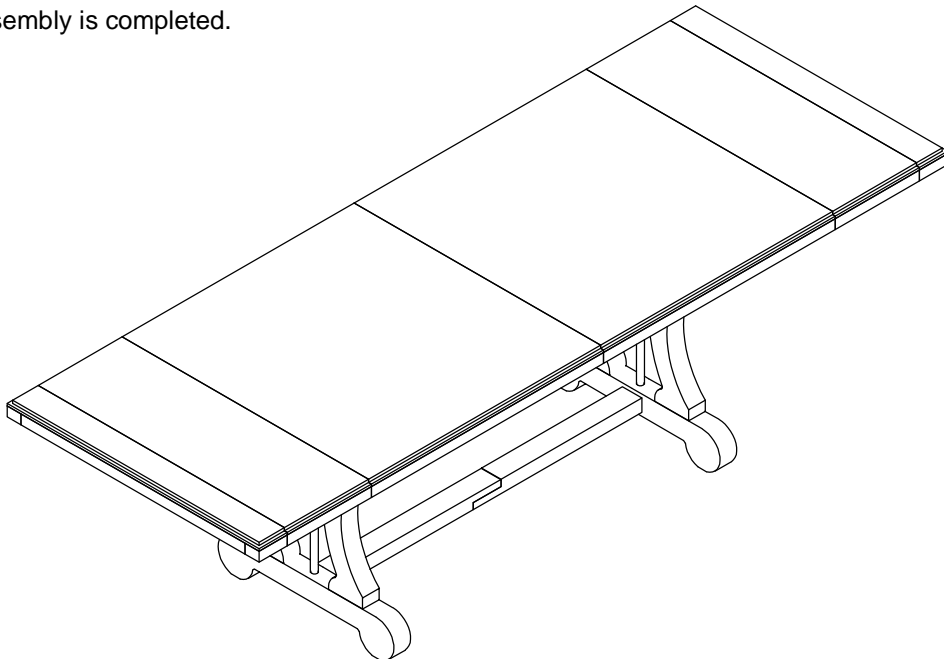


Step 4:

- Turn over the assembled table on level surface.
- To extend the table, unlock all spring clips under the table top (P1) and pull to maximum length. Place the table leaf (P2) in its correct position and push the ends of the table back together. Lock all spring clips under the table top.



Step 3: Assembly is completed.



ADDITIONAL NOTE ABOUT SAFETY:
BOLTS MAY LOOSEN DURING NORMAL EVERYDAY USE.
THEY SHOULD BE INSPECTED AT LEAST EVERY 3 MONTHS AND RE-TIGHTENED AS NEEDED TO PREVENT DAMAGE OR INJURY,
AND ENSURE STABILITY.

Thank you for your purchase