

MADISON PARK® ASSEMBLY INSTRUCTIONS

Description: Hilton Counter & Bar stool





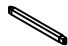
Important safety instructions:

- Please read carefully all instructions before assembly.
- For your safety and ease, assembly by two or more adults is recommended.
- Keep instructions for future use.










Pre-assembly:

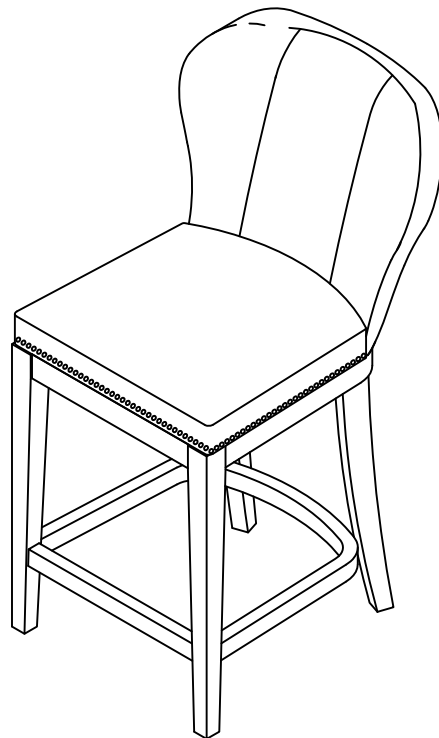
- Do not discard any content until assembly is complete to avoid accidentally discarding small parts or hardware.
- Take out all parts and hardware from box.

Parts List

Item	Description		QTY
P1	Chair Top		1
P2	Front Legs	 (P2)	2
P3	Back Legs	 (P3)	2
P4	Back Stretcher		1
P5	Front Stretchers		1

Hardware List

Item	Description		QTY
H1	Long Bolts	Ø5/16"x2"L 	8
H2	Lock Washers	5/16" 	8
H3	Flat Washers	5/16" 	8
H4	Allen Wrench	5/16" 	1
H5	Short Bolts	Ø1/4"x1-1/4"L 	2
H6	Lock Washers	1/4" 	2
H7	Flat Washers	1/4" 	2
H8	Allen Wrench	1/4" 	1
H9	Screws	#8*1-1/2" 	4







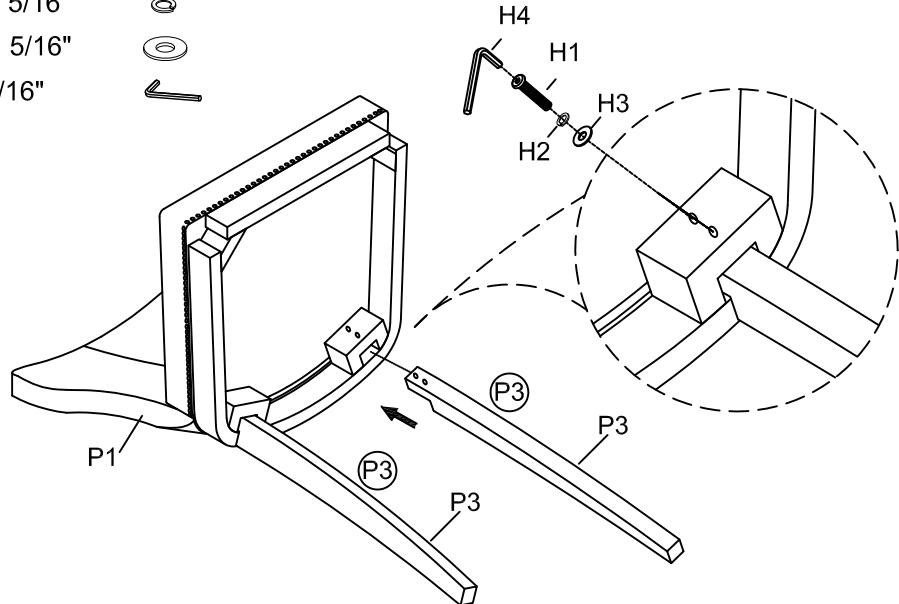
DISCLAIMER:

WHEN PROPERLY ASSEMBLED, THIS ITEM IS SAFE FOR INTENDED USE. SELLER IS NOT LIABLE FOR ANY DAMAGES RESULTING FROM ITEM BEING IMPROPERLY ASSEMBLED AFTER PURCHASE.





Assembly Procedures:

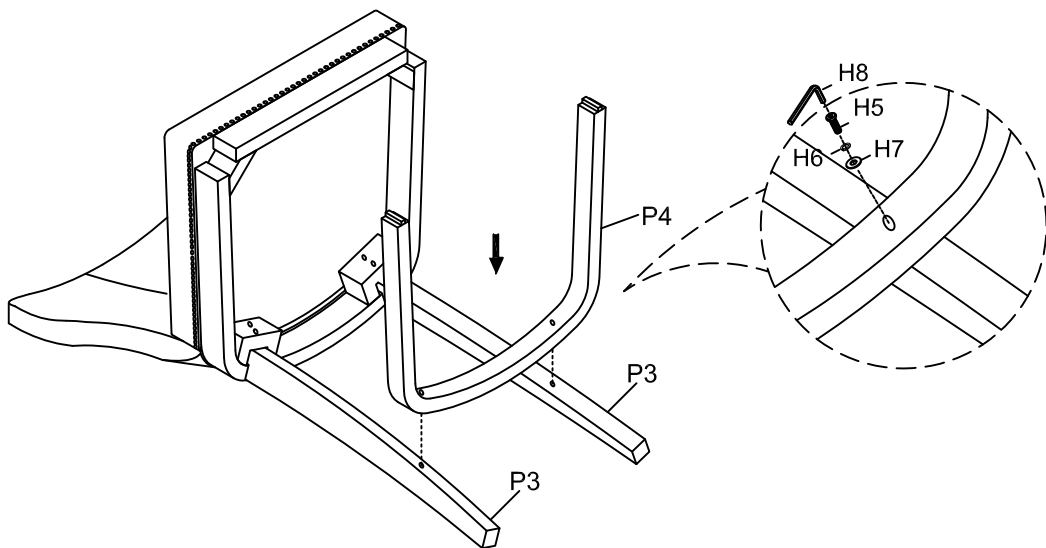
Step 1. Assemble the stool on a flat, soft surface such as a carpet or cloth to prevent scratching the finish. Loosely attach each back leg (P3) to the bottom of chair top (P1) following the labels "P3" on the front legs accordingly and using long bolts (H1), lock washers (H2) and flat washers (H3) as shown below.

- (H1)x4 Long Bolts $\varnothing 5/16$ "x2"L 
- (H2)x4 Lock Washers $5/16$ " 
- (H3)x4 Flat Washers $5/16$ " 
- (H4)x4 Allen Wrench $5/16$ " 






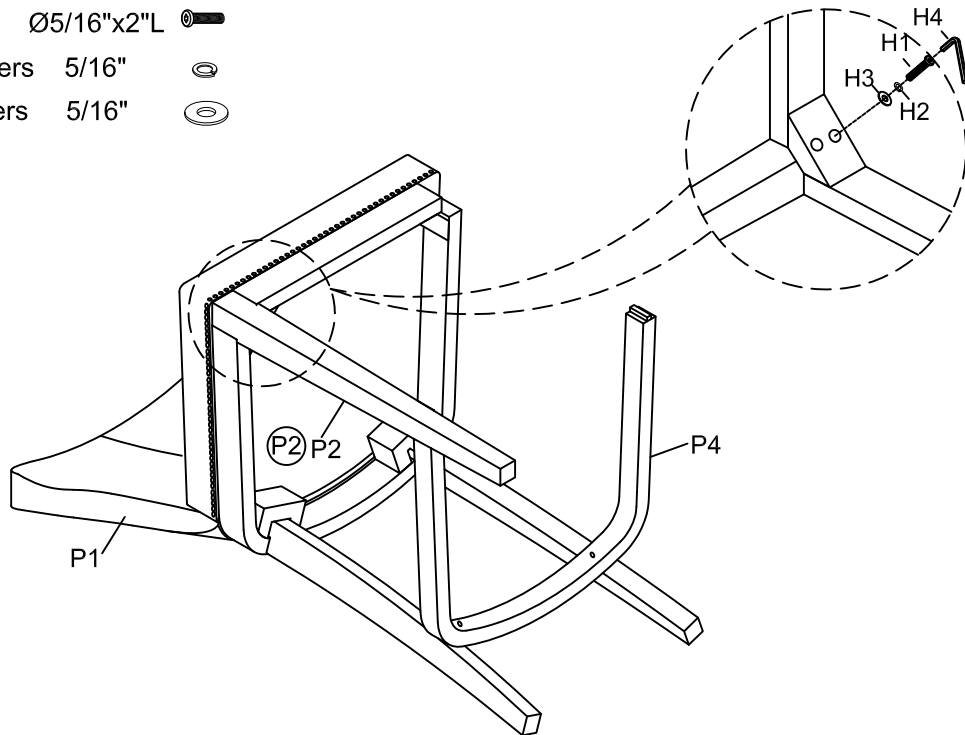
Step 2. Loosely attach back stretcher (P4) to back legs (P3) using short bolts (H5), lock washers (H6) and flat washers (H7) as shown below.

- (H5)x2 Short Bolts $\varnothing 1/4$ "x1-1/4"L 
- (H6)x2 Lock Washers $1/4$ " 
- (H7)x2 Flat Washers $1/4$ " 
- (H8)x1 Allen Wrench $1/4$ " 



Step 3. Loosely attach one front leg (P2) to the chair top (P1) and back stretcher (P4) following the labels "P2" on the front leg accordingly and using long bolts (H1), lock washers (H2) and flat washers (H3) as shown below.

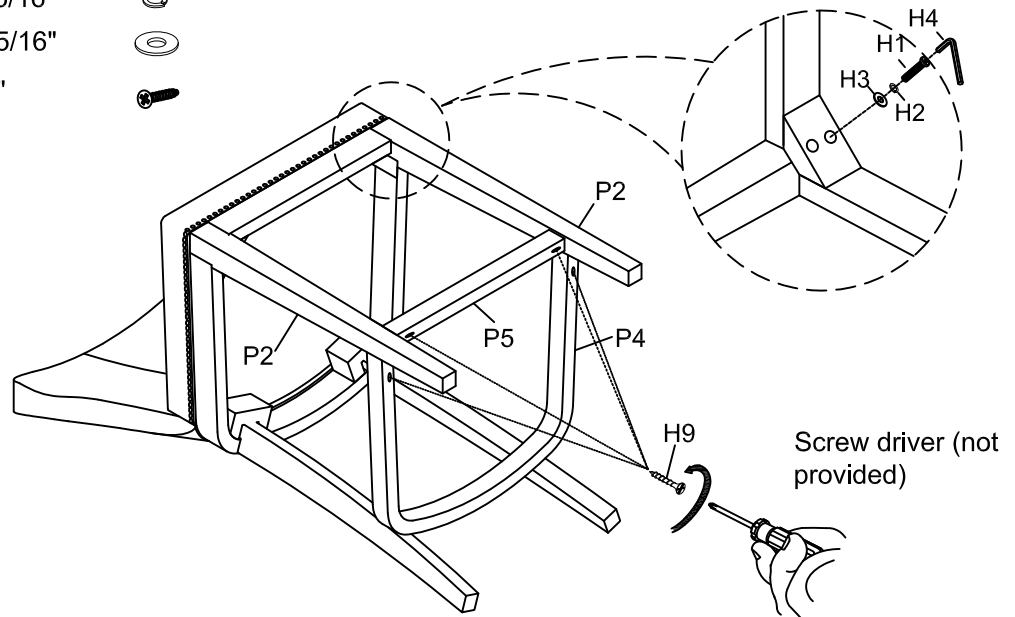
- (H1)x2 Long Bolts Ø5/16"x2"L 
- (H2)x2 Lock Washers 5/16" 
- (H3)x2 Flat Washers 5/16" 



Step 4.

- 1) Insert front stretcher (P5) to the front legs (P2), then loosely attach the other front leg (P2) to bottom of chair top (P1) using long bolt (H1), lock washer (H2) and flat washer (H3) as shown below.
- 2) Tighten screws (H9) through the stretchers (P4,P5) to the front legs (P2) with screw driver (not provided).
- 3) Make sure the stool is level on the the floor and securely tighten all bolts by Allen wrench (H4 & H8).
- 4) Assembly is complete. **Failure to follow these instructions may cause the bolts to misalign during assembly.**

- (H1)x2 Long Bolts Ø5/16"x2"L 
- (H2)x2 Lock Washers 5/16" 
- (H3)x2 Flat Washers 5/16" 
- (H9)x4 Screws #8*1-1/2" 



Screw driver (not provided)

ADDITIONAL NOTE ABOUT SAFETY:
BOLTS MAY LOOSEN DURING NORMAL EVERYDAY USE.
THEY SHOULD BE INSPECTED AT LEAST EVERY 3 MONTHS AND RE-TIGHTENED AS NEEDED TO PREVENT DAMAGE OR INJURY, AND ENSURE STABILITY.

Thank you for your purchase