

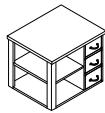

Important safety instructions:

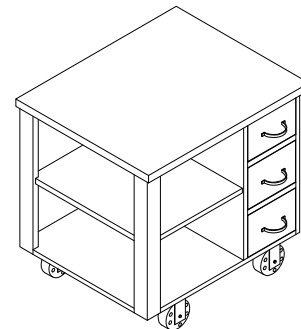
- Please read carefully all instructions before assembly.
- For your safety and ease, assembly by two or more adults is recommended.
- Keep instructions for future use.

Pre-assembly:





- Do not discard any content until assembly is complete to avoid accidentally discarding small parts or hardware.
- Take out all parts and hardware from box.

Parts List

Item	Description	QTY
P1	Table 	1
P2	Wheels 	4



Hardware List

Item	Description	QTY
H1	Bolts Ø5/16 x 3/4" 	8
H2	Lock Washers Ø 5/16 " 	8
H3	Flat Washers Ø 5/16 " 	8
H4	Allen Wrench Ø5/16" 	1

DISCLAIMER:

WHEN PROPERLY ASSEMBLED, THIS ITEM IS SAFE FOR INTENDED USE. SELLER IS NOT LIABLE FOR ANY DAMAGES RESULTING FROM ITEM BEING IMPROPERLY ASSEMBLED AFTER PURCHASE.

Assembly Procedures:

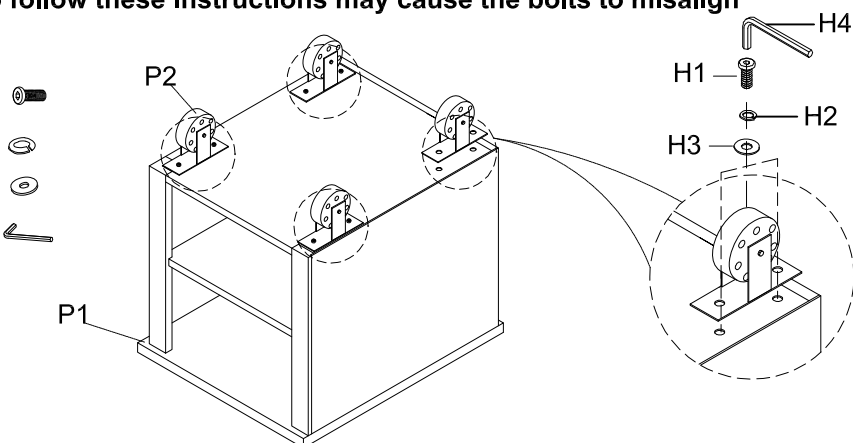
Step1. Turn the table upside down on a flat, soft surface such as a carpet or cloth to prevent scratching the finish. Attach the wheels (P2) to the bottom of top box (P1) as shown below.

Step 2.

1) Turn the assembled table to an upright position. Make sure the chair is level and securely tighten all bolts with Allen wrench (H4).

2) Assembly is complete. **Failure to follow these instructions may cause the bolts to misalign during assembly.**

- (H1)x8 Bolts Ø5/16 x 3/4"
- (H2)x8 Lock Washers Ø 5/16 "
- (H3)x8 Flat Washers Ø 5/16 "
- (H4)x1 Allen Wrench 5mm



ADDITIONAL NOTE ABOUT SAFETY:

BOLTS MAY LOOSEN DURING NORMAL EVERYDAY USE.

THEY SHOULD BE INSPECTED AT LEAST EVERY 3 MONTHS AND RE-TIGHTENED AS NEEDED TO PREVENT DAMAGE OR INJURY, AND ENSURE STABILITY.

Thank you for your purchase