



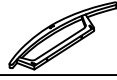



Important safety instructions:

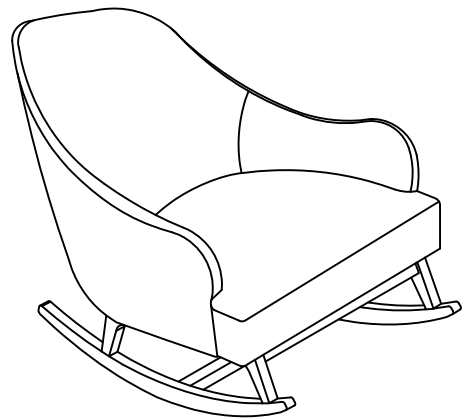
- Please read carefully all instructions before assembly.
- For your safety and ease, assembly by two or more adults is recommended.
- Keep instructions for future use.

Pre-assembly:

- Do not discard any content until assembly is complete to avoid accidentally discarding small parts or hardware.
- Take out all parts and hardware from box.

Parts List

Item	Description		QTY
P1	Chair Top		1
P2	Left Side Frame		1
P3	Right Side Frame		1
P4	Front Rail (Long)		1
P5	Back Rail (Short)		1
P6	Bottom Rail		1



Hardware List

Item	Description		QTY
H1	Long Bolts	Ø1/4"×2-1/4"L 	4
H2	Short Bolts	Ø1/4"×1-1/2"L 	4
H3	Lock Washers	Ø1/4" 	8
H4	Flat Washers	Ø1/4"×13mm 	4
H5	Flat Washers	Ø1/4"×16mm 	4
H6	Allen Wrench	Ø1/4" 	1
H7	Threaded Rod	Ø5/16" 	2
H8	Nuts	Ø5/16" 	2
H9	Half-round Washer	5/16" 	2
H10	Open Wrench	5/16" 	1
H11	Wooden Plugs		4

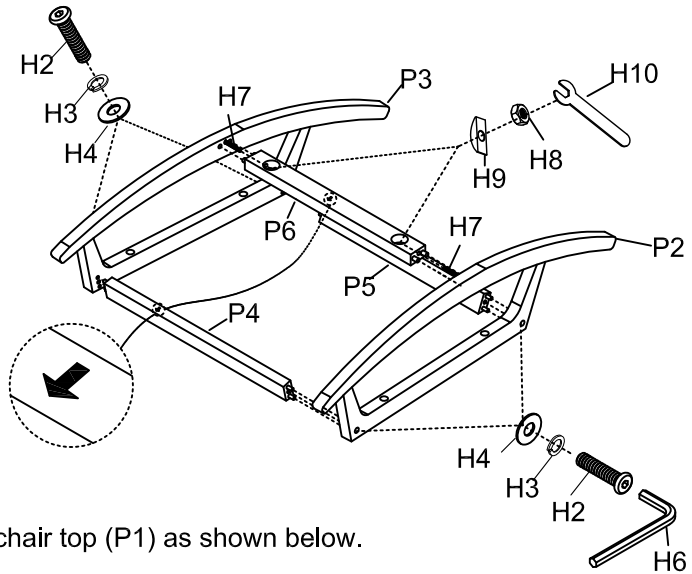
DISCLAIMER:

WHEN PROPERLY ASSEMBLED, THIS ITEM IS SAFE FOR INTENDED USE. SELLER IS NOT LIABLE FOR ANY DAMAGES RESULTING FROM ITEM BEING IMPROPERLY ASSEMBLED AFTER PURCHASE.

Assembly Procedures:

Step 1: Assemble the chair on a flat, soft surface such as a carpet or cloth to prevent scratching the finish. Attach the front rail (P4) and back rail (P5) and bottom rail (P6) to the left side frame (P2), then attach the right side frame (P3) to the assembled rails (P4,P5,P6) as shown below.

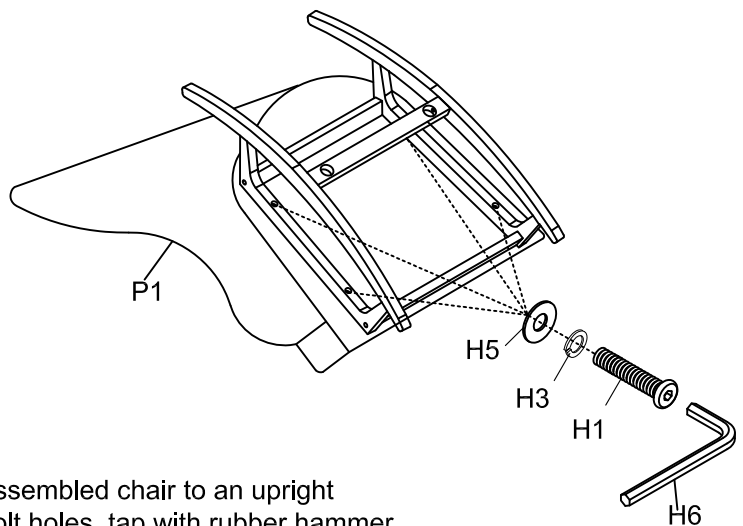
- (H2)x4 Short Bolts $\varnothing 1/4'' \times 1-1/2''$ 
- (H3)x4 Lock Washers $\varnothing 1/4''$ 
- (H4)x4 Flat Washers $\varnothing 1/4'' \times 13\text{mm}$ 
- (H6)x1 Allen Wrench $1/4''$ 
- (H7)x2 Threaded Rod $\varnothing 5/16''$ 
- (H8)x2 Nuts $\varnothing 5/16''$ 
- (H9)x2 Half-round Washer $5/16''$ 
- (H10)x1 Open Wrench $5/16''$ 



Note: Make sure the arrow direction outward and face the floor.

Step 2. Attach the assembled side frame to the chair top (P1) as shown below.

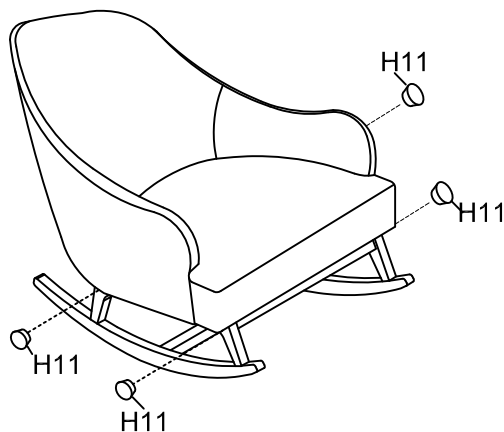
- (H1)x4 Long Bolts $\varnothing 1/4'' \times 2-1/4''$ 
- (H3)x4 Lock Washers $\varnothing 1/4''$ 
- (H5)x4 Flat Washers $\varnothing 1/4'' \times 16\text{mm}$ 
- (H6)x1 Allen Wrench $1/4''$ 



Step 3. Securely tighten all bolts, turn the assembled chair to an upright position. Insert wood plugs (H11) into the bolt holes, tap with rubber hammer or mallet until the wood plug edge are even with wood surface.

Assembly is complete. **Failure to follow these instructions may cause the bolts to misalign during assembly.**

- (H11)x4 Wooden Plugs 



ADDITIONAL NOTE ABOUT SAFETY:

BOLTS MAY LOOSEN DURING NORMAL EVERYDAY USE.

THEY SHOULD BE INSPECTED AT LEAST EVERY 3 MONTHS AND RE-TIGHTENED AS NEEDED TO PREVENT DAMAGE OR INJURY, AND ENSURE STABILITY.

Thank you for your purchase