






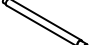
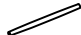
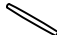
Important safety instructions:

- Please read carefully all instructions before assembly.
- For your safety and ease, assembly by two or more adults is recommended.
- Keep instructions for future use.












Pre-assembly:

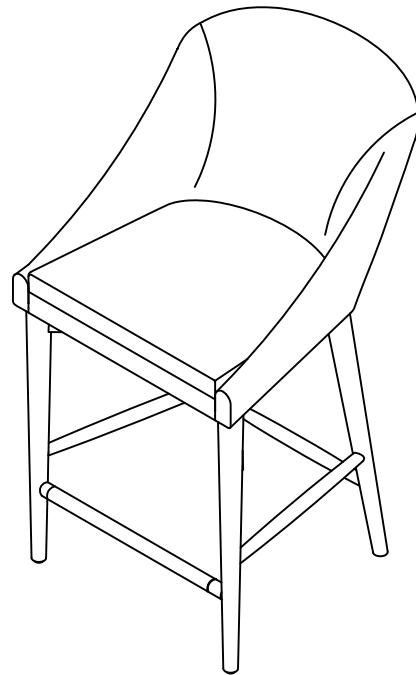
- Do not discard any content until assembly is complete to avoid accidentally discarding small parts or hardware.
- Take out all parts and hardware from box.

Parts List

Item	Description	QTY
P1	Chair Top 	1
P2	Left Leg frame  	1
P3	Right Leg frame  	1
P4	Front Stretcher  w/kickplate	1
P5	Side Stretcher (Long) 	2
P6	Back Stretcher (Short) 	1

Hardware List

Item	Description	QTY
H1	Bolts Ø5/16"*2"L 	4
H2	Lock Washers 5/16" 	4
H3	Flat Washers 5/16" 	4
H4	Allen Wrench 5/16" 	1
H5	Bolts Ø1/4"*1-1/4"L 	4
H6	Lock Washers 1/4" 	4
H7	Flat Washers 1/4" 	4
H8	Allen Wrench 1/4" 	1
H9	Screws #8*1-1/2" 	8
H10	Mending Plate 	1
H11	Screw Driver  Not included	

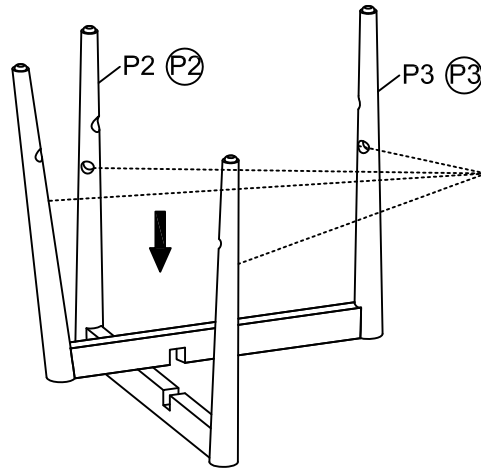


DISCLAIMER:

WHEN PROPERLY ASSEMBLED, THIS ITEM IS SAFE FOR INTENDED USE. SELLER IS NOT LIABLE FOR ANY DAMAGES RESULTING FROM ITEM BEING IMPROPERLY ASSEMBLED AFTER PURCHASE.

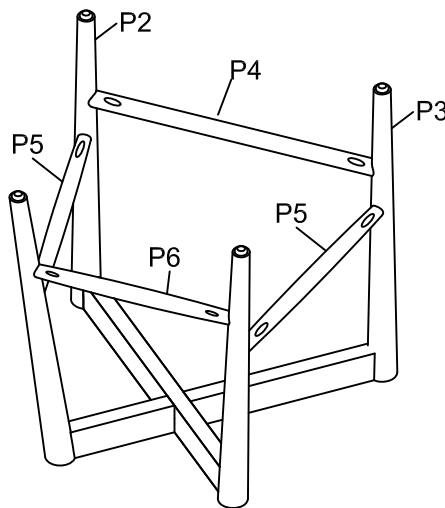
Assembly Procedures:

Step 1. Assemble the stool on a flat, soft surface such as a carpet or cloth to prevent scratching the finish. Attach left leg frame (P2) to the right leg frame (P3) as shown below.



Notes: Make sure four holes height for front and back stretchers between two back legs and between two front legs are same, and these holes for front and back rail is lower than the hole height for the side stretchers when turning over the leg frame.

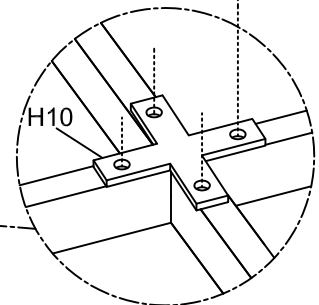
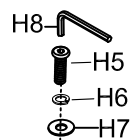
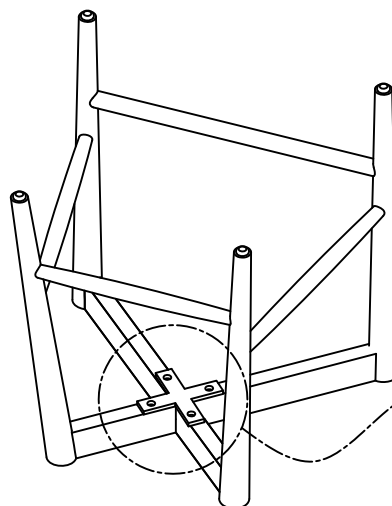
Step 2. Insert each stretcher (P4, P5, P6) between legs as shown below.



Note: Make sure the front stretcher (P4) and back stretcher (P6) will be lower than side stretchers (P5) after assembly.





Step 3. Attach the mending plate (H10) to the bottom of left frame (P2) and right frame (P3) using bolts (H5), lock washers (H6) and flat washers (H7) as shown below.

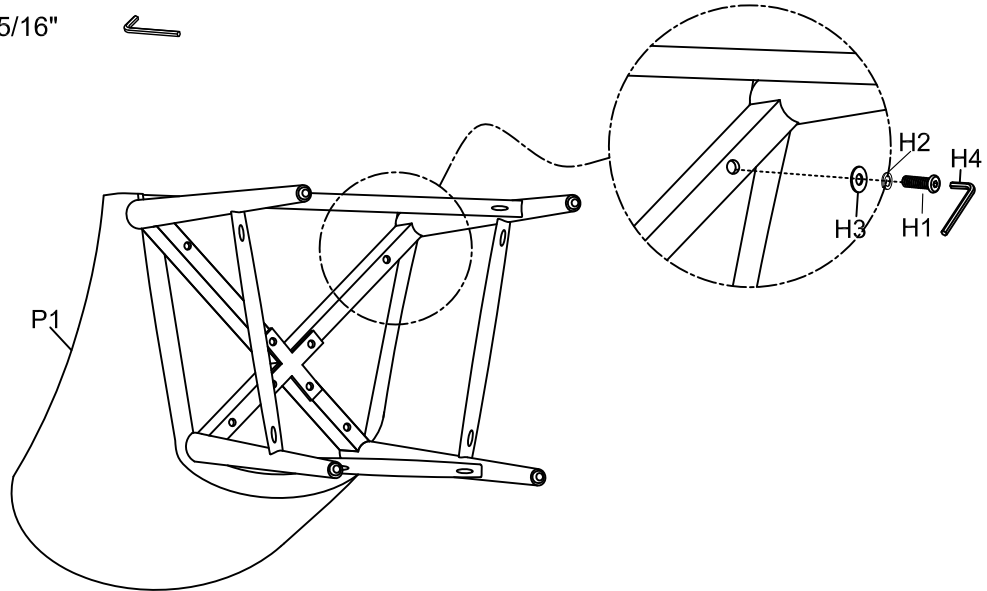
- (H5)x4 Bolts $\varnothing 1/4'' \times 1-1/4''$ L
- (H6)x4 Lock Washers 1/4"
- (H7)x4 Flat Washers 1/4"
- (H8)x1 Allen Wrench 1/4"
- (H10)x1 Mending Plate



Step 4.


1) Attach the assembled base to the bottom of chair top (P1) using bolts (H1), lock washers (H2) and flat washers (H3) as shown below.

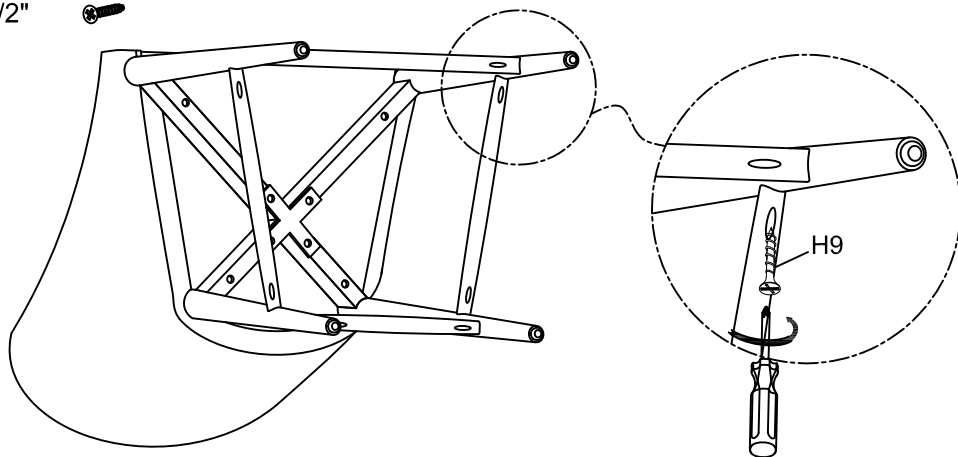
- (H1)x4 Bolts $\varnothing 5/16'' \times 2''$ 
- (H2)x4 Lock Washers 5/16" 
- (H3)x4 Flat Washers 5/16" 
- (H4)x1 Allen Wrench 5/16" 



Step 5.

1) Make sure the screw holes on each stretcher is facing to the bottom of leg, then tighten all screws (H9) with screw driver (not provided).

- (H9)x8 Screws #8*1-1/2" 



- 2) Make sure the stool is level and securely tighten all bolts by Allen wrench (H4, H8). Turn the assembled stool to an upright position
- 3) Assembly is complete. **Failure to follow these instructions may cause the bolts to misalign during assembly.**

ADDITIONAL NOTE ABOUT SAFETY:

BOLTS MAY LOOSEN DURING NORMAL EVERYDAY USE.

THEY SHOULD BE INSPECTED AT LEAST EVERY 3 MONTHS AND RE-TIGHTENED AS NEEDED TO PREVENT DAMAGE OR INJURY, AND ENSURE STABILITY.

Thank you for your purchase