

# ASSEMBLY INSTRUCTIONS

Description: Wren Square Dining Table

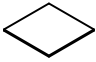
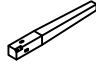

**Important safety instructions:**

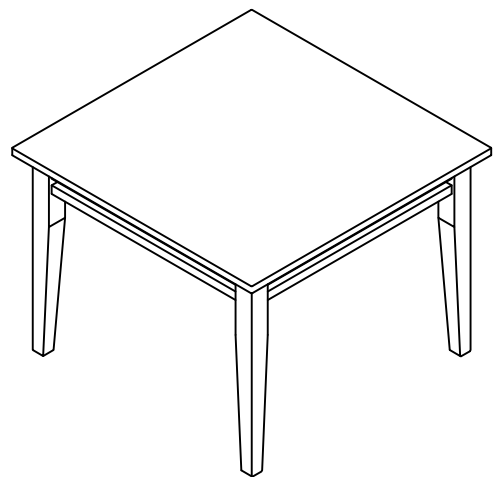
- Please read carefully all instructions before assembly.
- For your safety and ease, assembly by two or more adults is recommended.
- Keep instructions for future use.

**Pre-assembly:**

- Do not discard any content until assembly is complete to avoid accidentally discarding small parts or hardware.
- Take out all parts and hardware from box.

**Parts List**

Item	Description	QTY
P1	Table Top 	1
P2	Legs 	4
P3	Stretchers 	4



**Hardware List**

Item	Description	QTY
H1	Nuts Ø5/16" 	8
H2	Lock Washers 5/16" 	8
H3	Flat Washers 5/16" 	8
H4	Open Wrench 5/16" 	1
H5	Wood Screw 8*1-1/2" 	8

**DISCLAIMER:**


WHEN PROPERLY ASSEMBLED, THIS ITEM IS SAFE FOR INTENDED USE. SELLER IS NOT LIABLE FOR ANY DAMAGES RESULTING FROM ITEM BEING IMPROPERLY ASSEMBLED AFTER PURCHASE.

**Assembly Procedures:**

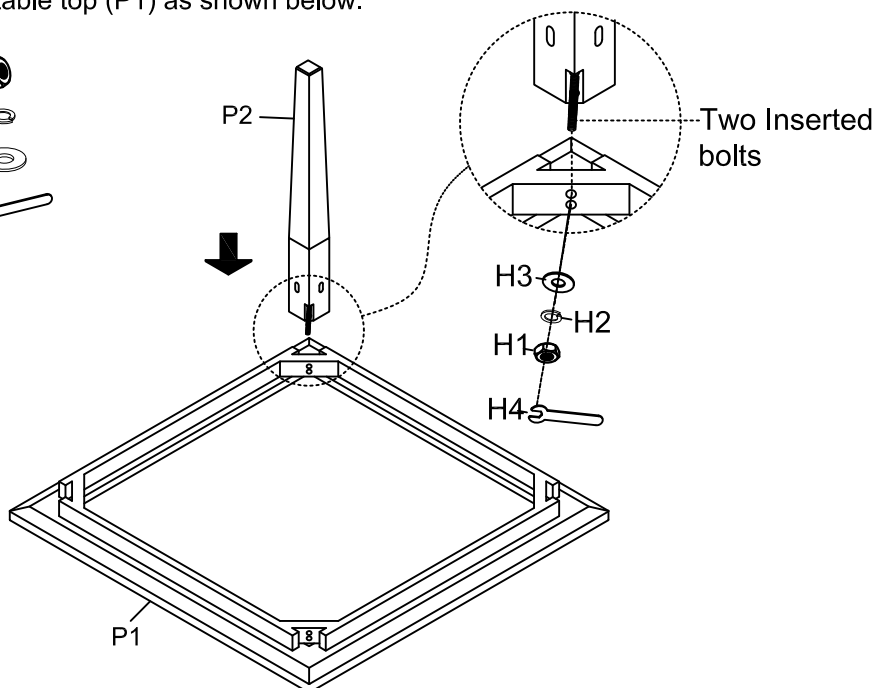
Step 1: Assemble the table on a flat, soft surface such as a carpet or cloth to prevent scratching the finish. Attach one leg (P2) to the bottom of table top (P1) as shown below.

(H1)x2 Nuts Ø5/16" 

(H2)x2 Lock Washers 5/16" 

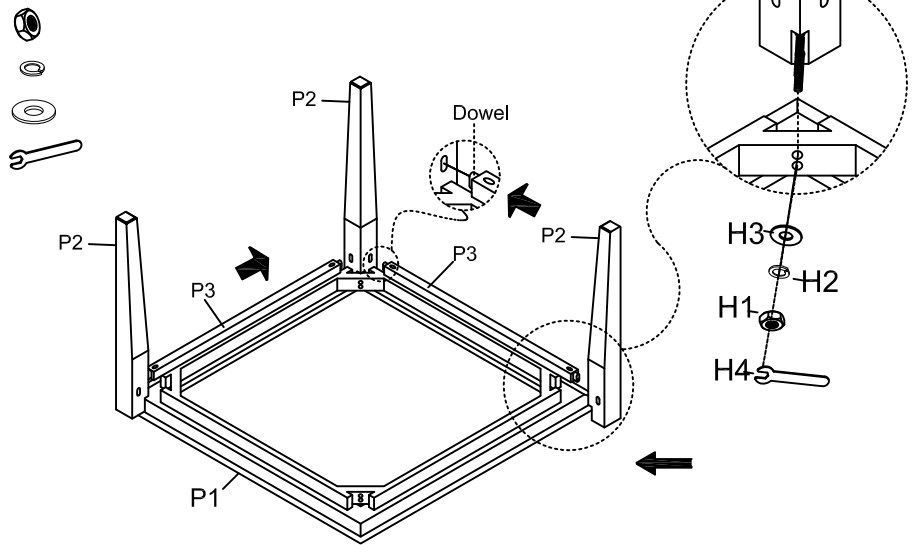
(H3)x2 Flat Washers 5/16" 

(H4)x1 Open Wrench 5/16" 



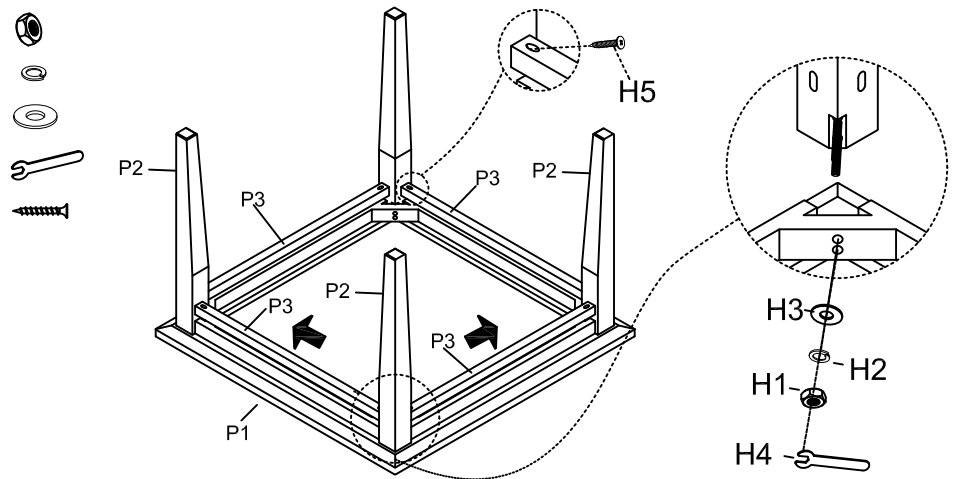
Step 2. Insert the stretchers (P3) to the assembled leg(P2), then attach other two legs (P2) to the bottom of table top (P1) and stretchers (P3) as shown below.

- (H1)x4 Nuts Ø5/16"
- (H2)x4 Lock Washers 5/16"
- (H3)x4 Flat Washers 5/16"
- (H4)x1 Open Wrench 5/16"

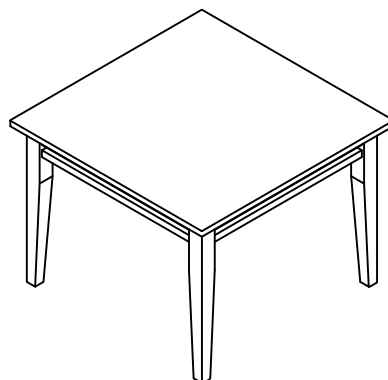


Step 3. Attach the stretchers (P3) and the fourth leg (P2) to the assembled legs (P2) and the bottom of table top (P1) as shown below.

- (H1)x2 Nuts Ø5/16"
- (H2)x2 Lock Washers 5/16"
- (H3)x2 Flat Washers 5/16"
- (H4)x1 Open Wrench 5/16"
- (H5)x8 Wood Screw 8\*1-1/2"



Step 4. Securely tighten all bolts with open wrench(H5), turn the assembled table to an upright position, make sure the table is level, aligned properly. Assembly is complete. **Failure to follow these instructions may cause the bolts to misalign during assembly.**



**ADDITIONAL NOTE ABOUT SAFETY:**

**BOLTS MAY LOOSEN DURING NORMAL EVERYDAY USE.**

**THEY SHOULD BE INSPECTED AT LEAST EVERY 3 MONTHS AND RE-TIGHTENED AS NEEDED TO PREVENT DAMAGE OR INJURY, AND ENSURE STABILITY.**

Thank you for your purchase