

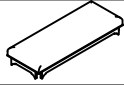
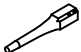
Important safety instructions:

- Please read carefully all instructions before assembly.
- For your safety and ease, assembly by two or more adults is recommended.
- Keep instructions for future use.





Pre-assembly:

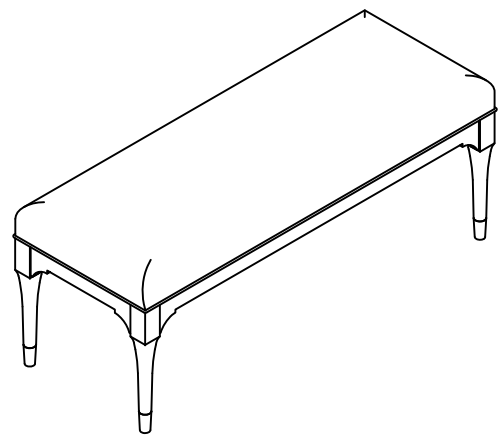
- Do not discard any content until assembly is complete to avoid accidentally discarding small parts or hardware.
- Take out all parts and hardware from box.

Parts List

Item	Description	QTY
P1	Seat Cushion 	1
P2	Legs 	4

Hardware List

Item	Description	QTY
H1	Bolts Ø5/16" * 2-1/2" L 	8
H2	Lock Washers Ø5/16" 	8
H3	Flat Washers Ø5/16" * 19mm 	8
H4	Allen Wrench 5/16" 	1







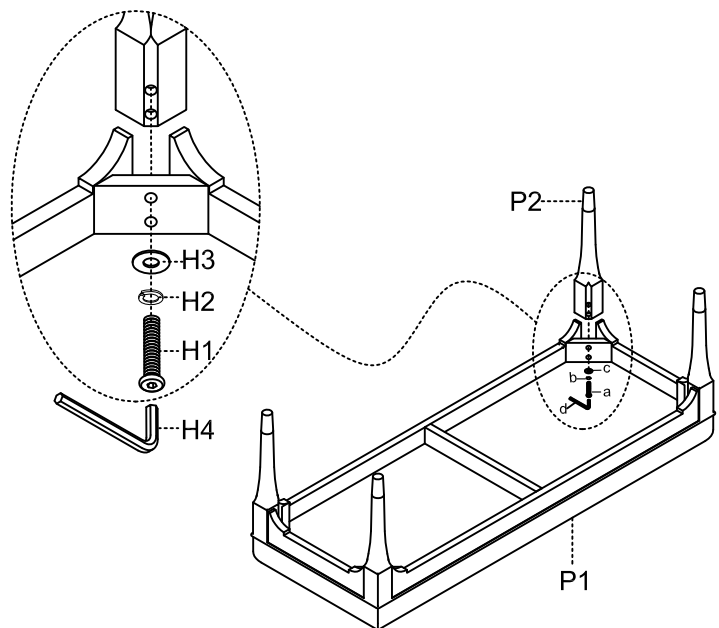
DISCLAIMER:

WHEN PROPERLY ASSEMBLED, THIS ITEM IS SAFE FOR INTENDED USE. SELLER IS NOT LIABLE FOR ANY DAMAGES RESULTING FROM ITEM BEING IMPROPERLY ASSEMBLED AFTER PURCHASE.

Assembly Procedures:

Step 1: Assemble the bench on a flat, soft surface such as a carpet or cloth to prevent scratching the finish. Attach each leg (P2) to the bottom of seat cushion (P1) as shown below.

- (H1)x8 Long Bolts Ø5/16" * 2-1/2" L 
- (H2)x8 Lock Washers Ø5/16" 
- (H3)x8 Flat Washers Ø5/16" 
- (H4)x1 Allen Wrench Ø5/16" 



Step 2. Turn the assembled bench to an upright position. Make sure the bench is level, aligned properly, and assembly is complete. **Failure to follow these instructions may cause the bolts to misalign during assembly.**

ADDITIONAL NOTE ABOUT SAFETY:

BOLTS MAY LOOSEN DURING NORMAL EVERYDAY USE. THEY SHOULD BE INSPECTED AT LEAST EVERY 3 MONTHS AND RE-TIGHTENED AS NEEDED TO PREVENT DAMAGE OR INJURY, AND ENSURE STABILITY.

Thank you for your purchase