

ASSEMBLY INSTRUCTIONS

Description: Lounge Chair





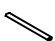
Important safety instructions:

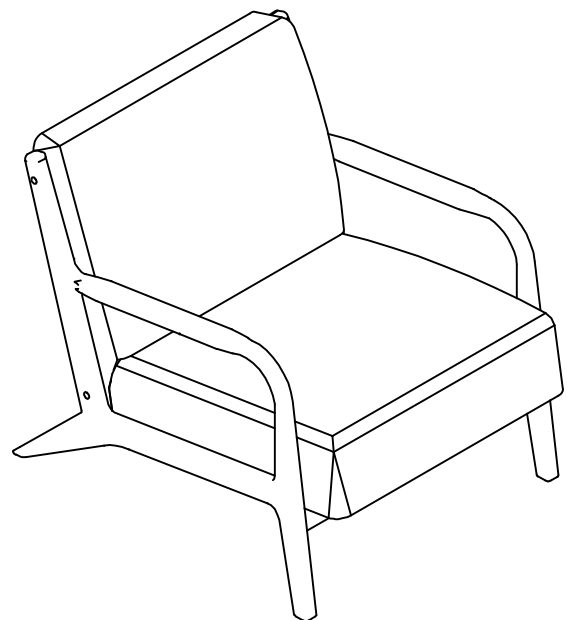
- Please carefully read all instructions before assembling the lounge chair.
- For your safety and ease, assembly by two or more adults is recommended.
- Keep instructions for future use.

Pre-assembly:






- Do not discard any contents until after assembly is complete to avoid accidentally discarding small parts or hardware.
- Remove all parts and hardware from box along with any plastic protective packaging.

Parts List

Item	Description		QTY
A	Right Arm		1
B	Left Arm		1
C	Seat Cushion		1
D	Back Cushion		1
E	Stretcher		1

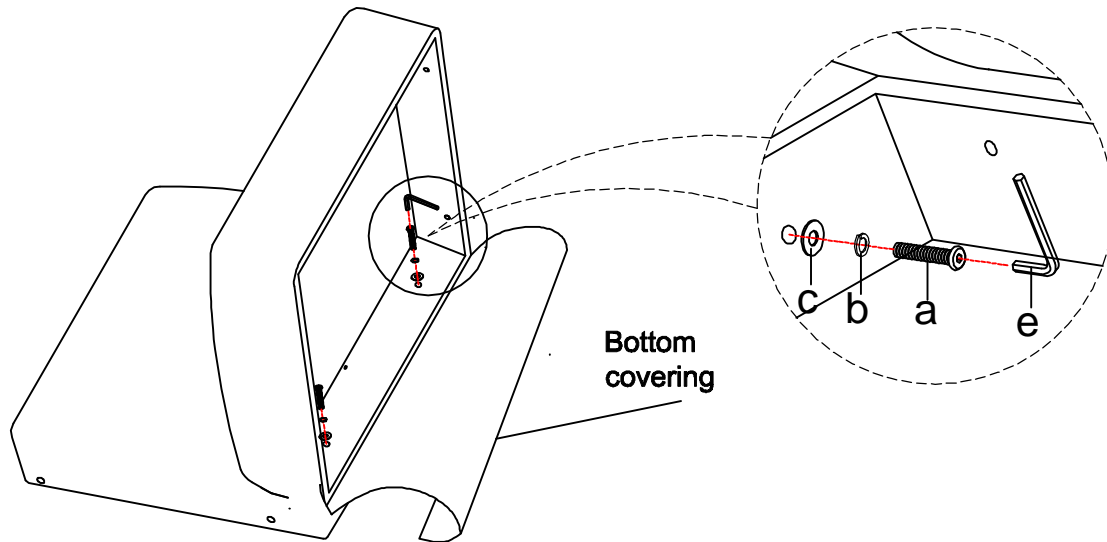


Hardware List

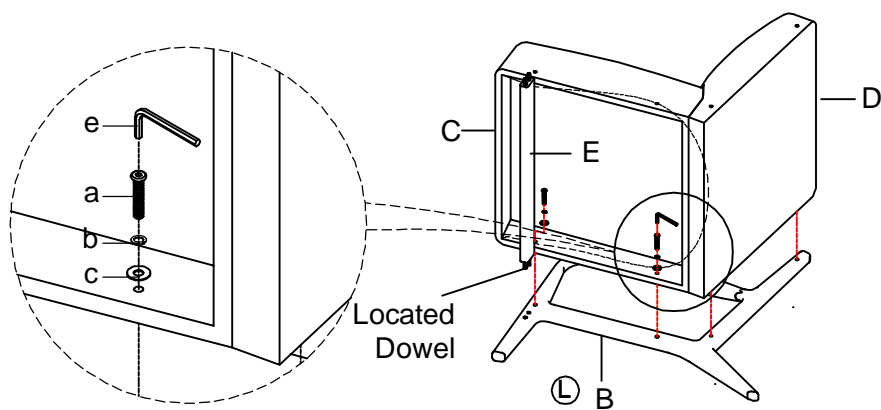
Item	Description		QTY
a	Bolts $\varnothing 1/4'' \times 1-3/4''$		10
b	Lock Washers 1/4"		10
c	Big flat washers 1/4" (19mm)		6
d	Small flat washers 1/4" (12mm)		4
e	Allen Wrench 1/4"		1
f	Wooden Plugs		4

Assembly Procedures:

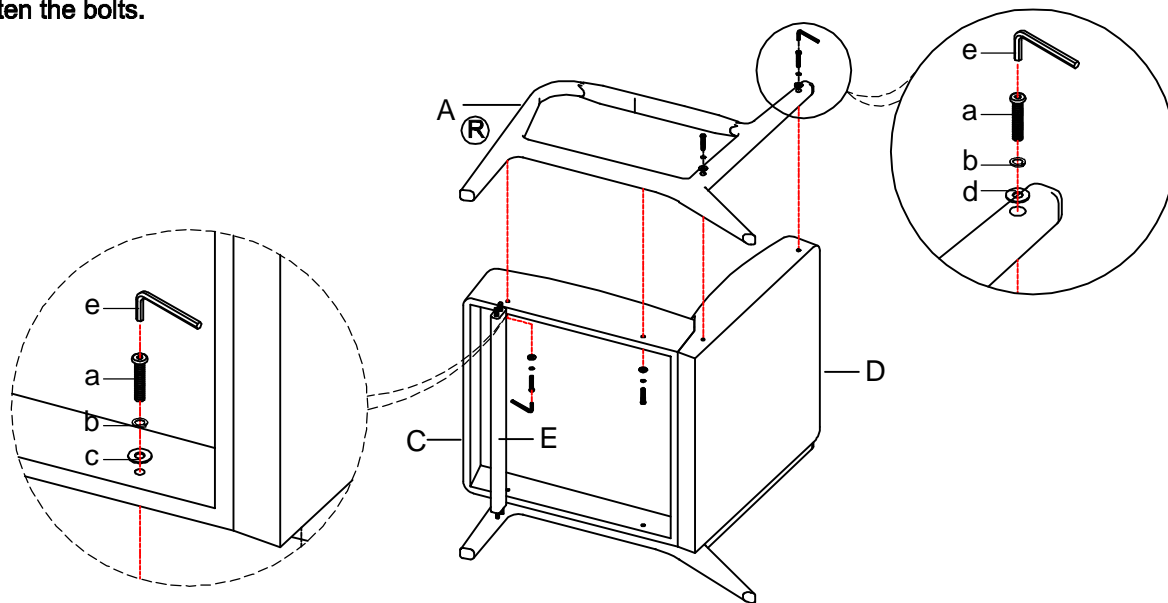
Step 1. Assemble the lounge on a flat, soft surface such as a carpet or cloth to prevent scratching the finish. Open the bottom covering, then loosely attach seat cushion (C) to back cushion (D) using bolts (a), lock washers (b) and flat washers (c). Loosely tighten by Allen wrench (e) .



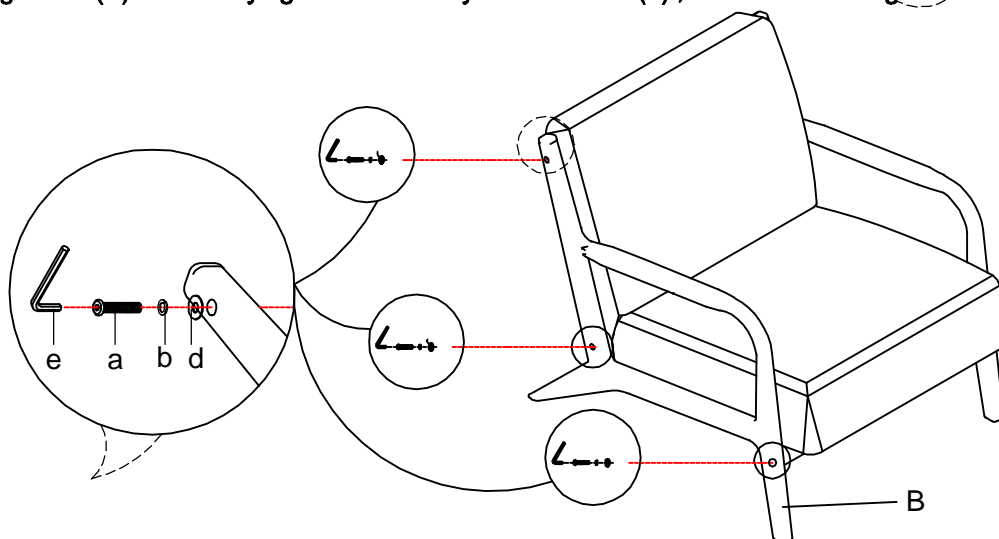
Step 2. Attach seat cushion (C) to left arm (B) using bolts (a), lock washers (b) and flat washers (c) according to the label "L" on the left arm (B). Loosely tighten by Allen wrench (e) as shown below. Insert front stretcher (E) to left arm (B) with two located dowels.



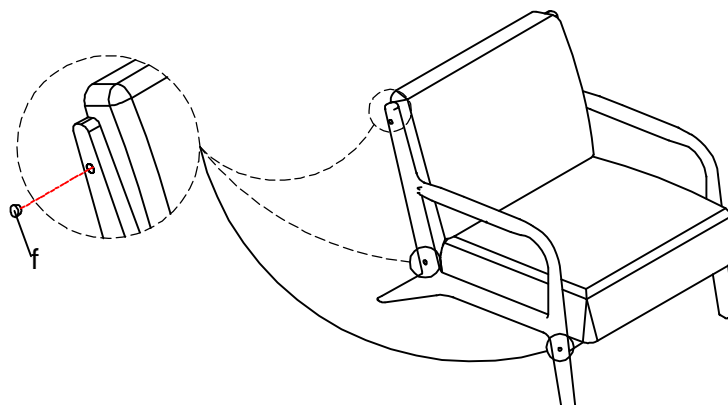
Step 3. Attach right arm (A) to the front stretcher (E), seat cushion (C) and back cushion (D) using bolt (a), lock washer (b) and flat washer (c,d) accordingly. Securely tighten all bolts by Allen wrench (e) , but do not over tighten the bolts.



Step 4. Turn the lounge chair to a upright position. The attached left arm (B) to the back cushion (D) and the front stretcher (E) using using bolt (a), lock washer (b) and small flat washer (d) according to the label "R" on the right arm (A). Securely tighten all bolts by Allen wrench (e) , but do not over tighten the bolts.



Step 5. Securely tighten all bolts by Allen wrench (e), but do not over tighten the bolts. Attach wooden plugs (f) to each bolt hole, tighten with rubber hammer to knock the wooden plug till its tighten. Note: use a soft cloth between the wooden plug and hammer to prevent damage to wooden plug finish. Assembly is complete.



Thank you for your purchase