

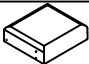
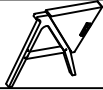


**Important safety instructions:**

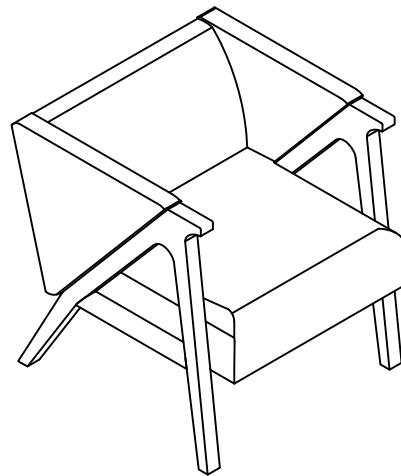
- Please read carefully all instructions before assembly.
- For your safety and ease, assembly by two or more adults is recommended.
- Keep instructions for future use.

**Pre-assembly:**





- Do not discard any content until assembly is complete to avoid accidentally discarding small parts or hardware.
- Take out all parts and hardware from box.

**Parts List**

Item	Description	QTY
P1	Seat Cushion  (P1)	1
P2	Left Side Frame  (P2)	1
P3	Right Side Frame  (P3)	1
P4	Back Cushion  (P4)	1



**Hardware List**

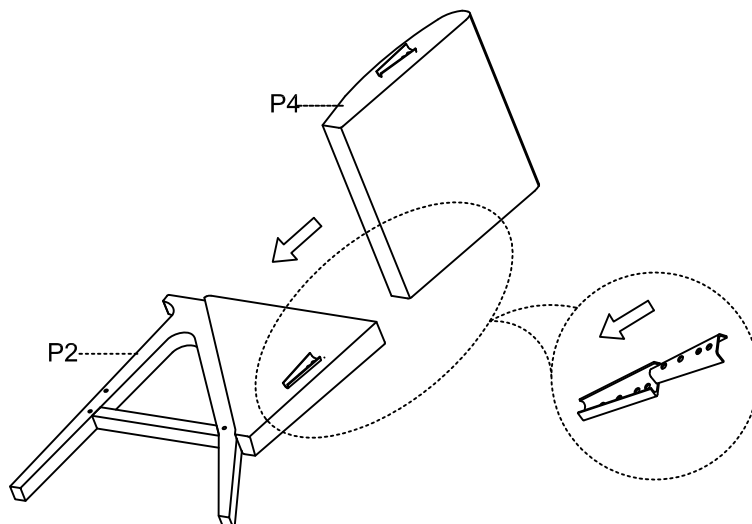
Item	Description	QTY
H1	Bolts $\phi 5/16"$ * 2"L 	9
H2	Lock Washers $\phi 5/16"$ 	9
H3	Flat Washers $\phi 5/16"$ *19mm 	9
H4	Allen Wrench 5/16" 	1

**DISCLAIMER:**

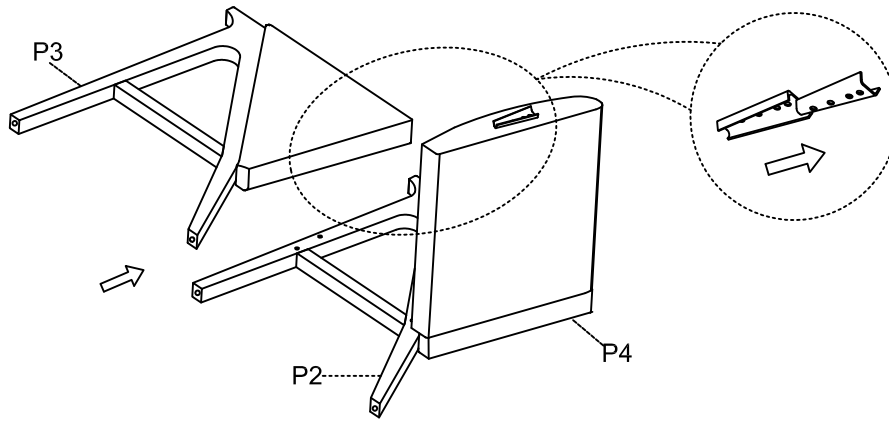
WHEN PROPERLY ASSEMBLED, THIS ITEM IS SAFE FOR INTENDED USE. SELLER IS NOT LIABLE FOR ANY DAMAGES RESULTING FROM ITEM BEING IMPROPERLY ASSEMBLED AFTER PURCHASE.

**Assembly Procedures:**

Step 1: Assemble the chair on a flat, soft surface such as a carpet or cloth to prevent scratching the finish. Attach the back cushion (P4) to the left side frame (P2) as shown below.



Step 2. Attach the right side frame (P3) to the back cushion (P4) as shown below.



Step 3. Make sure the back cushion and left side frame and right side frame is tighten, then place the assembled chair frame to the floor. Loosely attach the seat cushion (P1) to the assembled chair left side frame (P2) and right side frame (P3) and back cushion (P4) as shown below. First screw the bolts to the side frame, second to the back cushion.

(H1)x9 Bolts  $\text{\O}5/16 \times 2 \text{''} \text{L}$



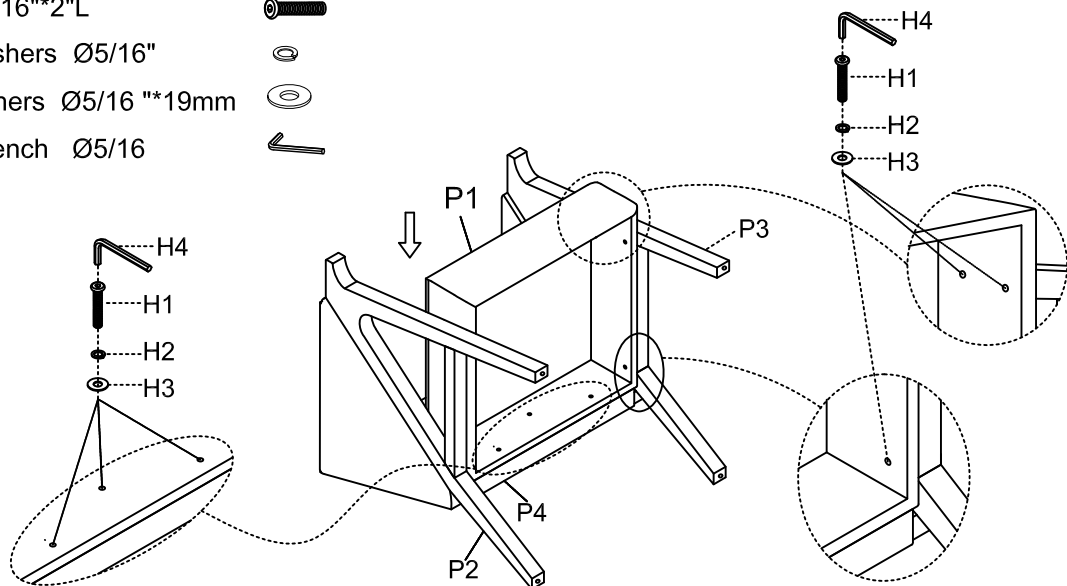
(H2)x9 Lock Washers  $\text{\O}5/16 \text{''}$



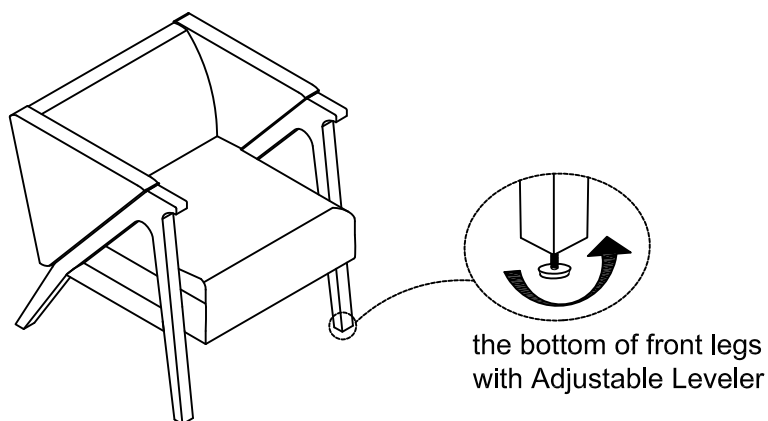
(H3)x9 Flat Washers  $\text{\O}5/16 \text{''} \times 19 \text{mm}$



(H4)x1 Allen Wrench  $\text{\O}5/16$



Step 4. Securely tighten all bolts with Allen wrench(H4), turn the assembled chair to an upright position, make sure the chair is level, aligned properly. Assembly is complete. **Failure to follow these instructions may cause the bolts to misalign during assembly.**



**ADDITIONAL NOTE ABOUT SAFETY: BOLTS MAY LOOSEN DURING NORMAL EVERYDAY USE. THEY SHOULD BE PERIODICALLY INSPECTED AND RE-TIGHTENED TO PREVENT DAMAGE OR INJURY. ALWAYS CHECK TO ENSURE THAT ALL HARDWARE IS KEPT TIGHTENED.**

Thank you for your purchase