

ASSEMBLY INSTRUCTIONS

Description: Oaktown Swivel Counter Stool




Important safety instructions:

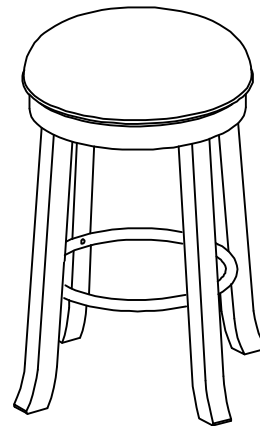
- Please read carefully all instructions before assembly.
- For your safety and ease, assembly by two or more adults is recommended.
- Keep instructions for future use.

Pre-assembly:






- Do not discard any content until assembly is complete to avoid accidentally discarding small parts or hardware.
- Take out all parts and hardware from box.

Parts List

Item	Description	QTY
P1	Seat Cushion 	1
P2	Legs 	4
P3	Stretcher 	1



Hardware List

Item	Description	QTY
H1	Long Bolts Ø1/4**1-3/4" 	8
H2	Short Bolts Ø1/4**1-1/4" 	4
H3	Lock Washers 1/4" 	12
H4	Flat Washers 1/4" 	8
H5	Allen Wrench 1/4" 	1

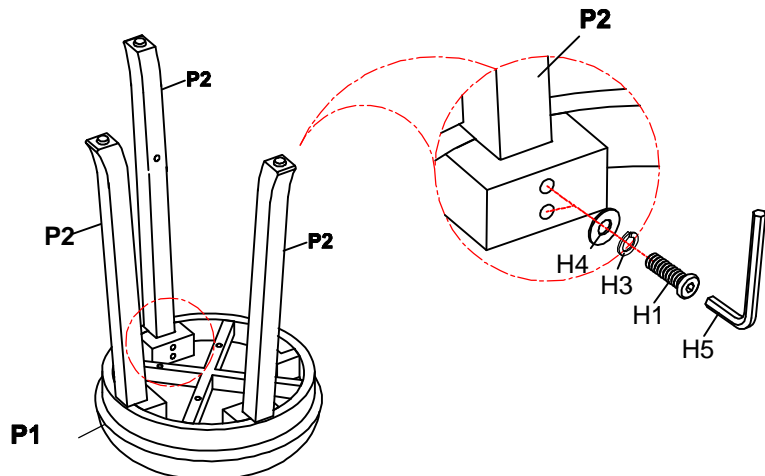
DISCLAIMER:

WHEN PROPERLY ASSEMBLED, THIS ITEM IS SAFE FOR INTENDED USE. SELLER IS NOT LIABLE FOR ANY DAMAGES RESULTING FROM ITEM BEING IMPROPERLY ASSEMBLED AFTER PURCHASE.

Assembly Procedures:

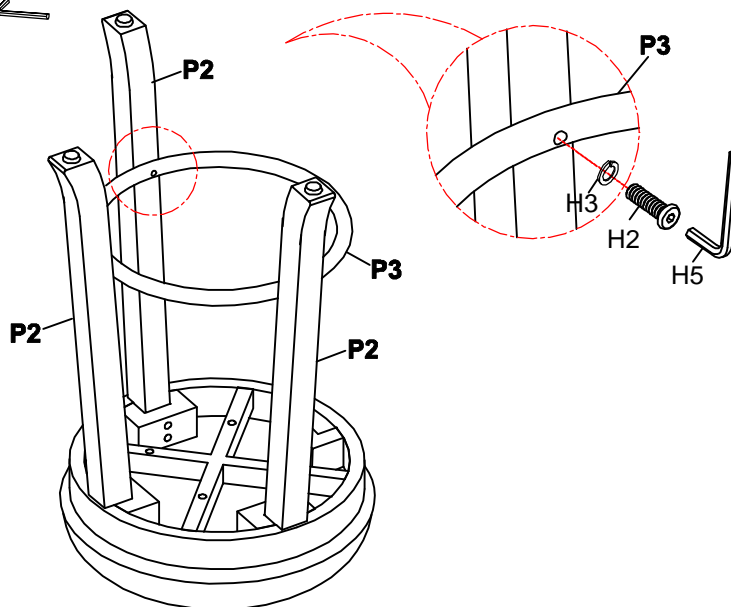
Step 1. Turn over the cushion (P1) on a flat, soft surface such as a carpet or cloth to prevent scratching the finish. Attach three legs (P2) to the seat cushion (P1) as shown below.

- (H1)x6 Long Bolts Ø1/4**1-3/4" 
- (H3)x6 Lock Washers 1/4" 
- (H4)x6 Flat Washers 1/4" 
- (H5)x1 Allen Wrench 1/4" 



Step 2. Loosely attach the stretcher (P3) to the assembled the legs (P2) as shown below.

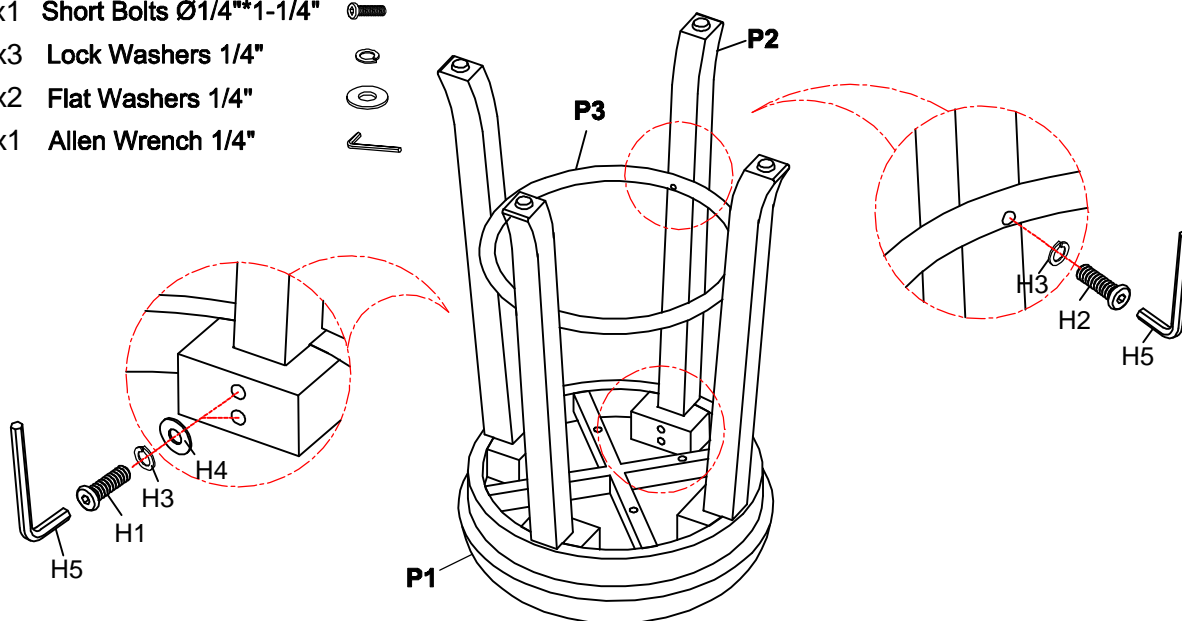
- (H2)x3 Short Bolts $\text{Ø}1/4'' \times 1-1/4''$ 
- (H3)x3 Lock Washers 1/4" 
- (H5)x1 Allen Wrench 1/4" 



Step 3.

- 1) Attach last leg (P2) to the assembled seat cushion (P1) and stretcher (P3) as shown below.
- 2) Make sure the stool is level and securely tighten all bolts with Allen wrench (H5). Turn the assembled stool to an upright position.
- 3) Assembly is complete. **Failure to follow these instructions may cause the bolts to misalign during assembly.**

- (H1)x2 Long Bolts $\text{Ø}1/4'' \times 1-3/4''$ 
- (H2)x1 Short Bolts $\text{Ø}1/4'' \times 1-1/4''$ 
- (H3)x3 Lock Washers 1/4" 
- (H4)x2 Flat Washers 1/4" 
- (H5)x1 Allen Wrench 1/4" 



ADDITIONAL NOTE ABOUT SAFETY: BOLTS MAY LOOSEN DURING NORMAL EVERYDAY USE. THEY SHOULD BE PERIODICALLY INSPECTED AND RE-TIGHTENED TO PREVENT DAMAGE OR INJURY. ALWAYS CHECK TO ENSURE THAT ALL HARDWARE IS KEPT TIGHTENED.

Thank you for your purchase