

ASSEMBLY INSTRUCTIONS

Description: EVERLY CHAIR

Important safety instructions:

- Please read carefully all instructions before assembly.
- For your safety and ease, assembly by two or more adults is recommended.
- Keep instructions for future use.

Pre-assembly:

- Do not discard any content until assembly is complete to avoid accidentally discarding small parts or hardware.
- Take out all parts and hardware from box.

Parts List

Item	Description	QTY
P1	Chair Back	1
P2	Seat	1
P3	Front Legs	2

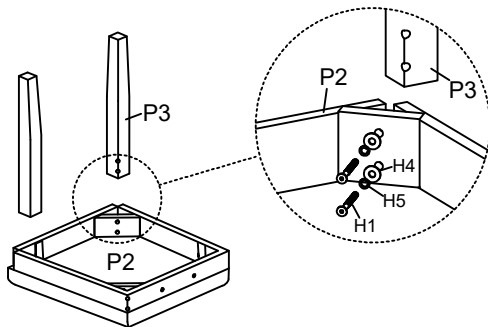
Hardware List

Item	Description	QTY
H1	Medium Bolts M6x70	8
H2	Long Bolts M6x90	8
H3	Short Bolts M6x40	4
H4	Flat Washer	20
H5	Spring Washer	20
H6	Allen Wrench	1

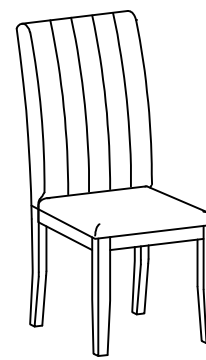
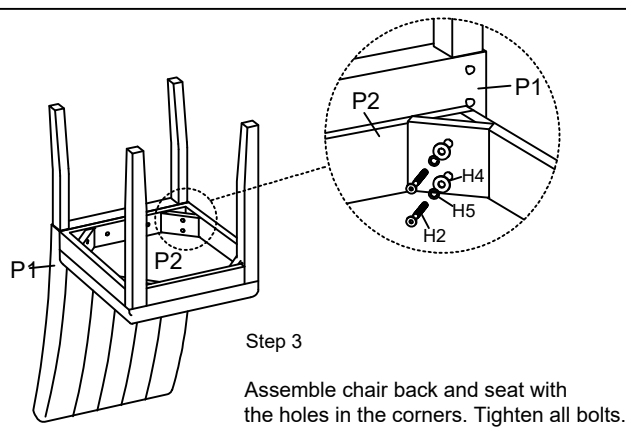
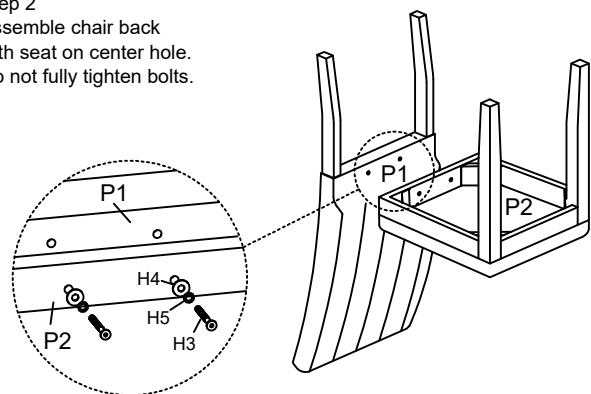
DISCLAIMER:

WHEN PROPERLY ASSEMBLED, THIS ITEM IS SAFE FOR INTENDED USE. SELLER IS NOT LIABLE FOR ANY DAMAGES RESULTING FROM ITEM BEING IMPROPERLY ASSEMBLED AFTER PURCHASE.

Step 1 Assemble front legs



Step 2 Assemble chair back with seat on center hole. Do not fully tighten bolts.



ADDITIONAL NOTE ABOUT SAFETY:
BOLTS MAY LOOSEN DURING NORMAL EVERYDAY USE.
THEY SHOULD BE INSPECTED AT LEAST EVERY 3 MONTHS AND RE-TIGHTENED AS NEEDED TO PREVENT DAMAGE OR INJURY,
AND ENSURE STABILITY.

Thank you for your purchase