



# ASSEMBLY INSTRUCTIONS

Description: Braxton Accent Chair


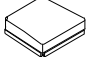






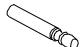

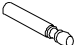

## Important safety instructions:

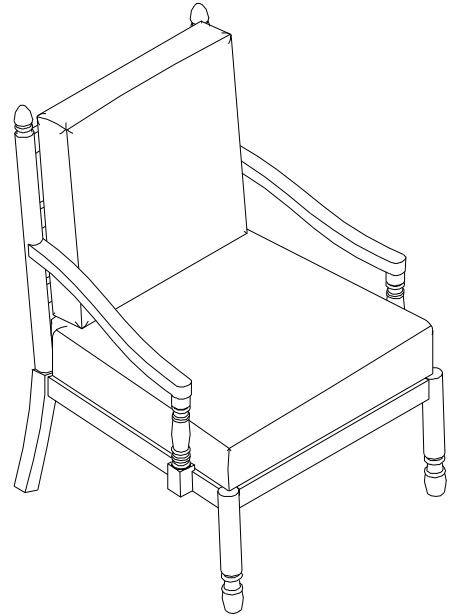
- Please read carefully all instructions before assembly.
- For your safety and ease, assembly by two or more adults is recommended.
- Keep instructions for future use.

## Pre-assembly:





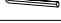

- Do not discard any content until assembly is complete to avoid accidentally discarding small parts or hardware.
- Take out all parts and hardware from box.

## Parts List

| Item | Description     |   | QTY |
|------|-----------------|---|-----|
| P1   | Back Cushion    |    | 1   |
| P2   | Seat            |    | 1   |
| P3   | Back Frame      |    | 1   |
| P4   | Finial          |   | 2   |
| P5   | Left Arm        |   | 1   |
| P6   | Right Arm       |   | 1   |
| P7   | Left Front Leg  |   | 1   |
| P8   | Right Front Leg |   | 1   |



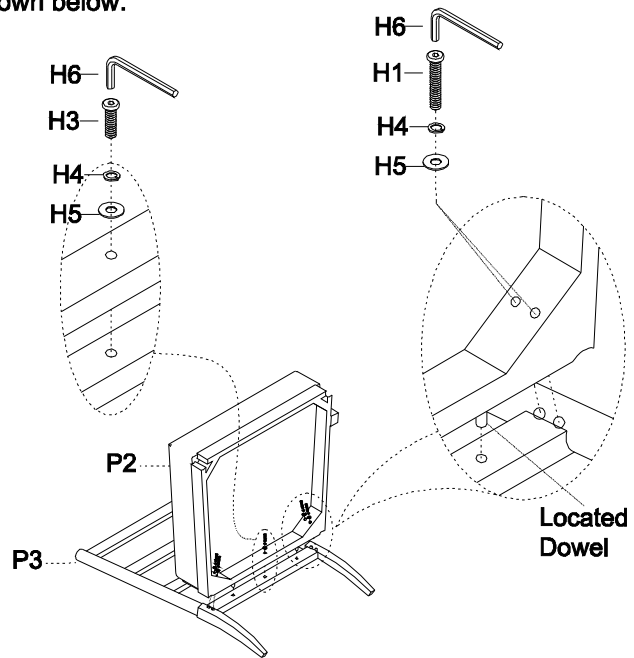
## Hardware List

| Item | Description                    |   | QTY |
|------|--------------------------------|---|-----|
| H1   | Big Long Bolts Ø5/16"×3-1/4"   |  | 4   |
| H2   | Big Medium Bolts Ø5/16"×2-1/2" |  | 4   |
| H3   | Big Short Bolts Ø5/16"×1-1/2"  |  | 1   |
| H4   | Big Lock Washers Ø5/16"        |  | 9   |
| H5   | Big Flat Washers Ø5/16"×19mm   |  | 9   |
| H6   | Big Allen Wrench 5/16"         |  | 1   |
| H7   | Small Bolts Ø1/4"×1-3/4"       |  | 6   |
| H8   | Small Lock Washers Ø1/4"       |  | 6   |
| H9   | Small Flat Washers Ø1/4"×12mm  |  | 2   |
| H10  | Small Flat Washers Ø1/4"×19mm  |  | 4   |
| H11  | Small Allen Wrench 1/4"        |  | 1   |
| H12  | Wooden Plugs                   |  | 2   |





**Assembly Procedures:**

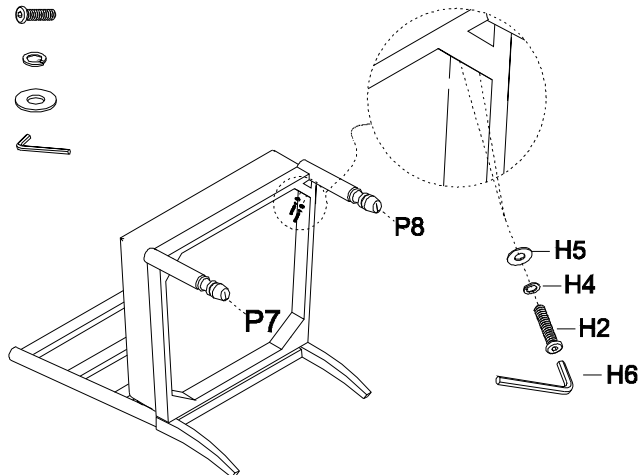
**Step 1. Assemble the chair on a flat, soft surface such as a carpet or cloth to prevent scratching the finish. Attach the seat (P2) to the back frame (P3) as shown below.**

- (H1)x4 Big Long Bolts  $\text{Ø}5/16'' \times 3-1/4''$  
- (H3)x1 Big Short Bolts  $\text{Ø}5/16'' \times 1-1/2''$  
- (H4)x5 Big Lock Washers  $\text{Ø}5/16''$  
- (H5)x5 Big Flat Washers  $\text{Ø}5/16'' \times 19\text{mm}$  
- (H6)x1 Big Allen Wrench  $5/16''$  







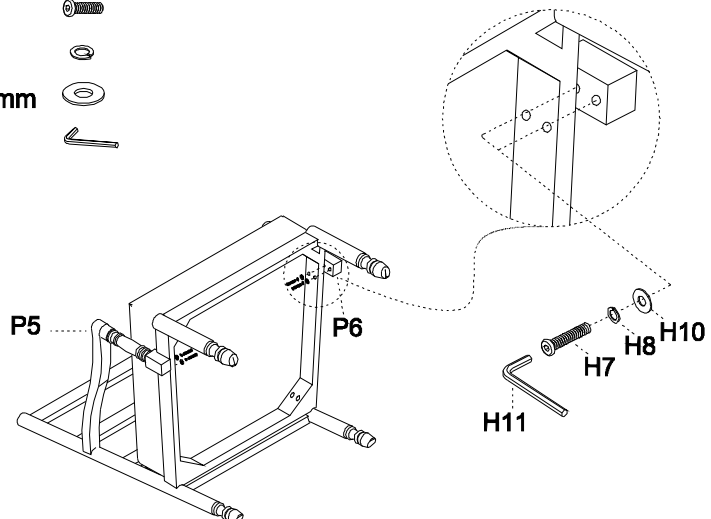
**Step 2. Attach the left front leg (P7) and right front leg (P8) to the seat (P2) as shown below.**

- (H2)x4 Big Medium Bolts  $\text{Ø}5/16'' \times 2-1/2''$  
- (H4)x4 Big Lock Washers  $\text{Ø}5/16''$  
- (H5)x4 Big Flat Washers  $\text{Ø}5/16'' \times 19\text{mm}$  
- (H6)x1 Big Allen Wrench  $5/16''$  




**Step 3. Loosely attach the left arm (P5) and right arm (P6) to the seat (P2) as shown below.**

- (H7)x4 Small Bolts  $\text{Ø}1/4'' \times 1-3/4''$  
- (H8)x4 Small Lock Washers  $\text{Ø}1/4''$  
- (H10)x4 Small Flat Washers  $\text{Ø}1/4'' \times 19\text{mm}$  
- (H11)x1 Small Allen Wrench  $1/4''$  



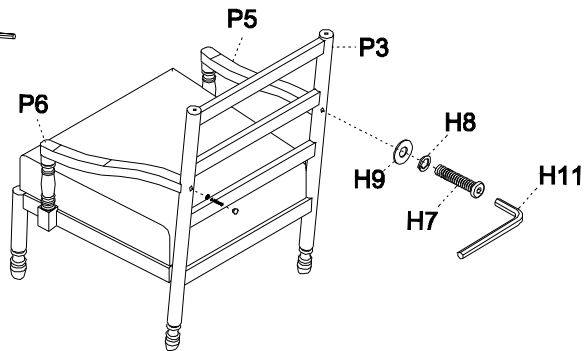
Step 4. Turn the assembled chair to an upright position. Attach the left arm (P5) and right arm (P6) to the back frame (P3) as shown below. Securely tighten all bolts.

(H7)x2 Small Bolts  $\text{\O}1/4 \times 1-3/4$ " 

(H8)x2 Small Lock Washers  $\text{\O}1/4$ " 

(H9)x2 Small Flat Washers  $\text{\O}1/4 \times 12\text{mm}$  

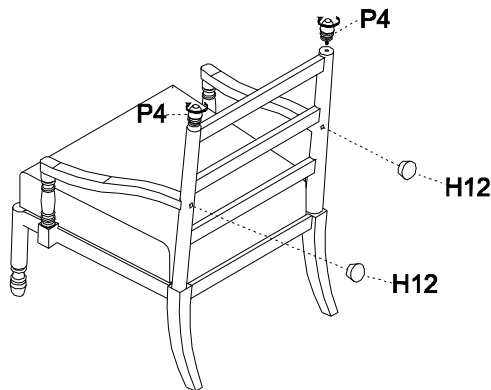
(H11)x1 Small Allen Wrench  $1/4$ " 



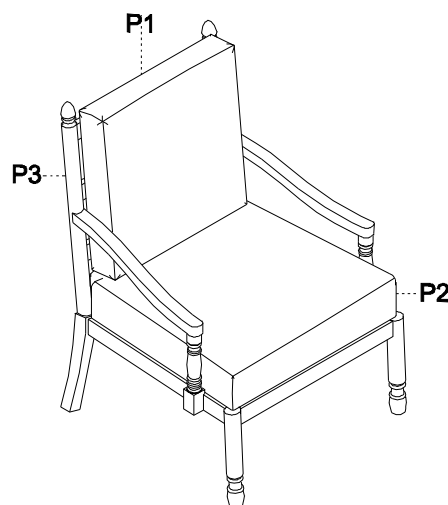
Step 5. 1). Screw the finial (P4) to the post top of back frame (P3) as shown below.

2). Insert wood plugs (H12) into the bolt holes, tap with rubber hammer or mallet until the wood plug edge are even with wood surface.

(H12)x2 Wooden Plugs 



Step 6. Place the back cushion (P1) to the seat (P2) and the back frame (P3) as shown. Assembly is complete. **Failure to follow these instructions may cause the bolts to misalign during assembly.**



ADDITIONAL NOTE ABOUT SAFETY: BOLTS MAY LOOSEN DURING NORMAL EVERYDAY USE. THEY SHOULD BE PERIODICALLY INSPECTED AND RE-TIGHTENED TO PREVENT DAMAGE OR INJURY. ALWAYS CHECK TO ENSURE THAT ALL HARDWARE IS KEPT TIGHTENED.

**Thank you for your purchase**