

# ASSEMBLY INSTRUCTIONS

## Description: Loveseat






**Important safety instructions:**

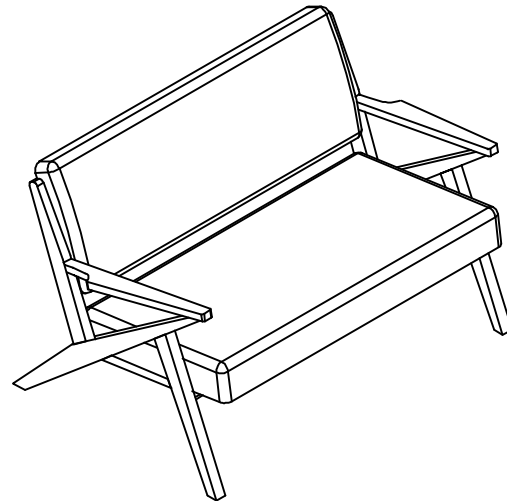
- Please carefully read all instructions before assembling the chair.
- For your safety and ease, assembly by two or more adults is recommended.
- Keep instructions for future use.

**Pre-assembly:**







- Do not discard any contents until after assembly is complete to avoid accidentally discarding small parts or hardware.
- Remove all parts and hardware from box along with any plastic protective packaging.

**Parts List**

Item	Description	QTY
A	Right arm 	1
B	Light arm 	1
C	Seat Cushion 	1
D	Back Cushion 	1
E	Stretcher 	1

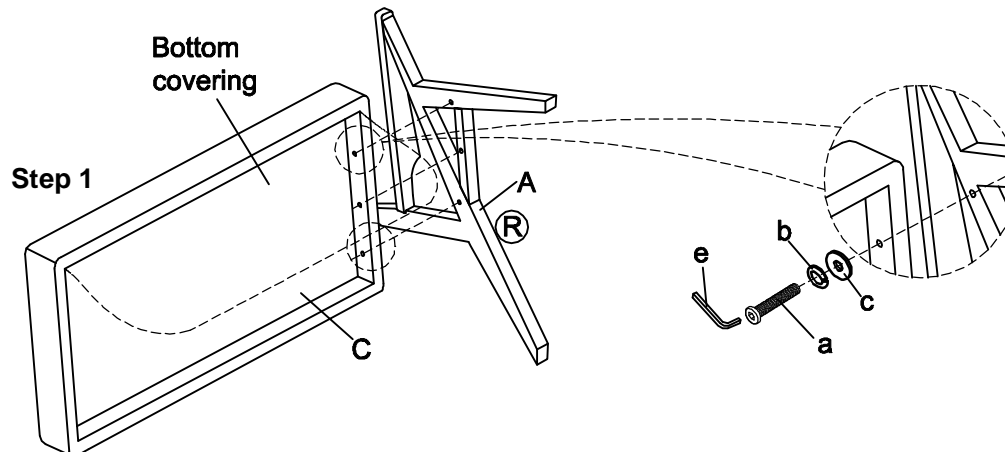


**Hardware List**

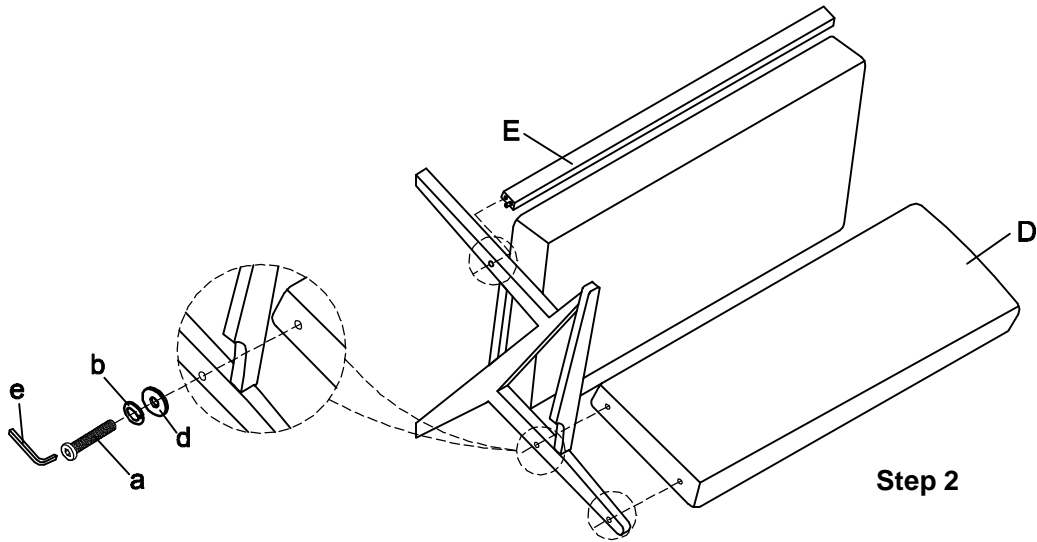
Item	Description	QTY
a	Bolt $\varnothing 1/4 \times 2$ " 	12
b	Lock Washer 1/4" 	12
c	Big flat washer 1/4" (19mm) 	6
d	Small flat washer 1/4" (12mm) 	6
e	Allen Wrench 1/4" 	1
f	Wooden Plug 	6

**Assembly Procedures:**

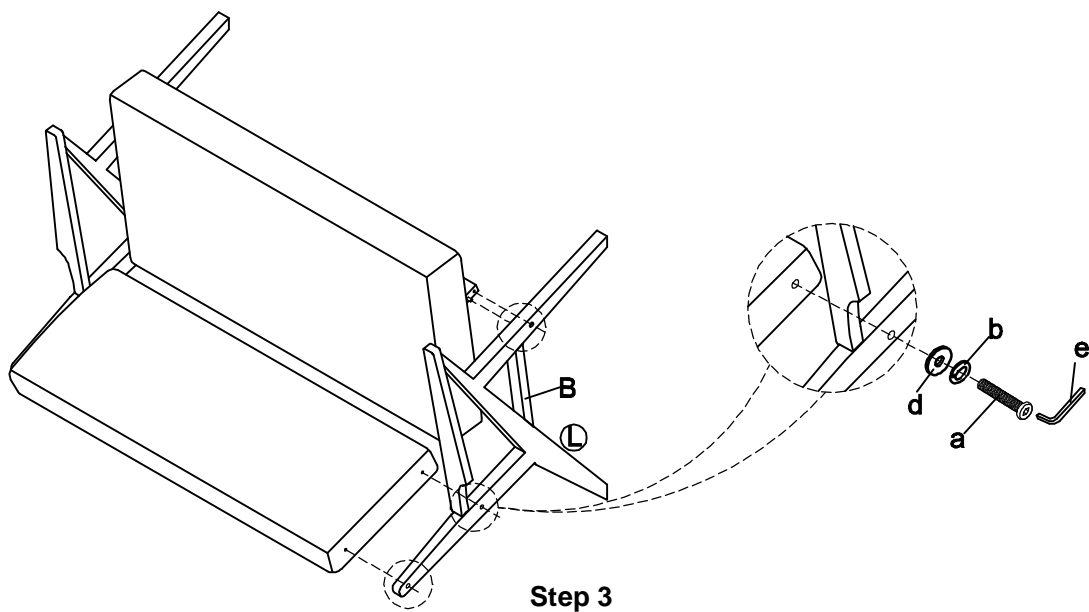
Step 1. Assemble the loveseat on a flat, soft surface such as a carpet or cloth to prevent scratching the finish. Open the bottom covering, then attach right arm (A) to seat cushion (C) using bolt (a), lock washer (b) and flat washer (c) according to the label "R" on the right arm (A), seat cushion (C). Loosely tighten by Allen wrench (e).



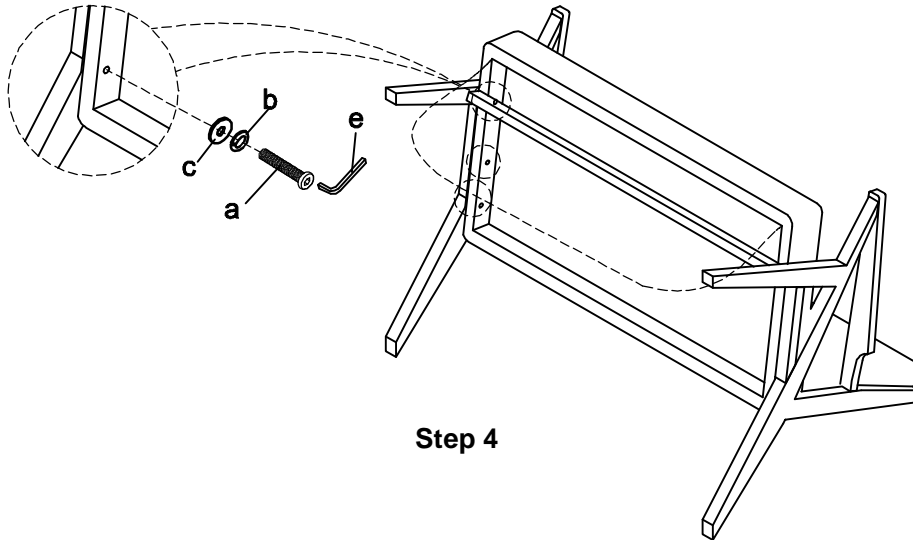
Step 2. Attach right arm (A) to back cushion (D) and stretcher ( E ) using bolt (a), lock washer (b) and flat washer (d) according to the label "R" on the right arm (A), seat cushion (C) and back cushion (D). Loosely tighten by Allen wrench (e).



Step 3. Attach left arm (B) to back cushion (D), seat cushion (C) and stretcher (E) using bolt (a), lock washer (b) and flat washer (d) according to the label "L" on the left arm (B), seat cushion (C) and stretcher (E). Loosely tighten by Allen wrench (e).

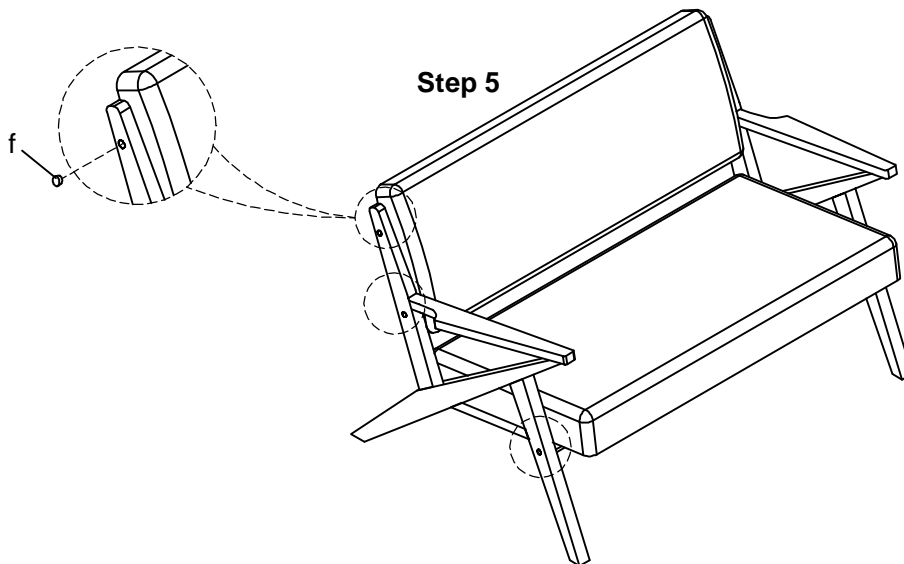


Step 4. Attach seat cushion (C) to left arm (B) using bolt (a), lock washer (b) and flat washer (c). Loosely tighten by Allen wrench (e).



Step 4

Step 5. Turn the assembled loveseat to a upright position. Securely tighten all bolts by Allen wrench (d), but do not over tighten the bolts. Then attach wooden plug (f) to each bolt hole, tighten with Rubber hammer to knock the wooden plug till its tighten. Note: use a soft cloth between the wooden plug and hammer to prevent damage to wooden plug finish.



Step 5

Step 6. Assembly are complete. Failure to follow these instructions may cause the bolts to misalign during assembly.

ADDITIONAL NOTE ABOUT SAFETY: BOLTS MAY LOOSEN DURING NORMAL EVERYDAY USE. THEY SHOULD BE PERIODICALLY INSPECTED AND RE-TIGHTENED TO PREVENT DAMAGE OR INJURY. ALWAYS CHECK TO BE SURE THAT ALL HARDWARE IS KEPT TIGHTENED.

Thank you for you purchase