

ASSEMBLY INSTRUCTIONS

Description: Boomerang Dining Chair

Important safety instructions:

- Please read carefully all instructions before assembly.
- For your safety and ease, assembly by two or more adults is recommended.
- Keep instructions for future use.

Pre-assembly:

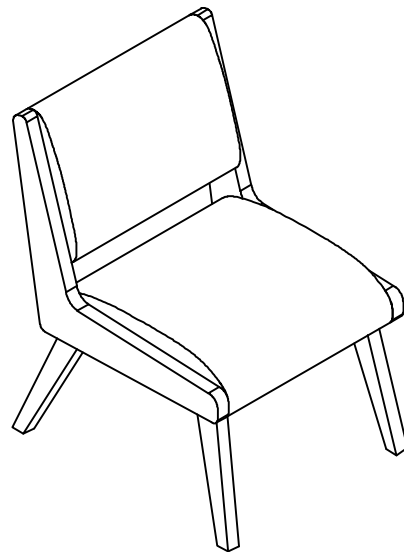
- Do not discard any content until assembly is complete to avoid accidentally discarding small parts or hardware.
- Take out all parts and hardware from box.

Parts List

Item	Description	QTY
P1	Chair Top	1
P2	Left Legs	1
P3	Right Legs	1
P4	Front Top Rail	1
P5	Back Top Rail	1

Hardware List

Item	Description	QTY
H1	Short Bolts $\varnothing 1/4 \times 1-1/2$ "	4
H2	Long Bolts $\varnothing 1/4 \times 2-1/4$ "	4
H3	Lock Washers 1/4"	8
H4	Flat Washers 1/4"(12mm)	4
H5	Flat Washers 1/4"(19mm)	4
H6	Allen Wrench 1/4"	1
H7	Wooden Plugs	4



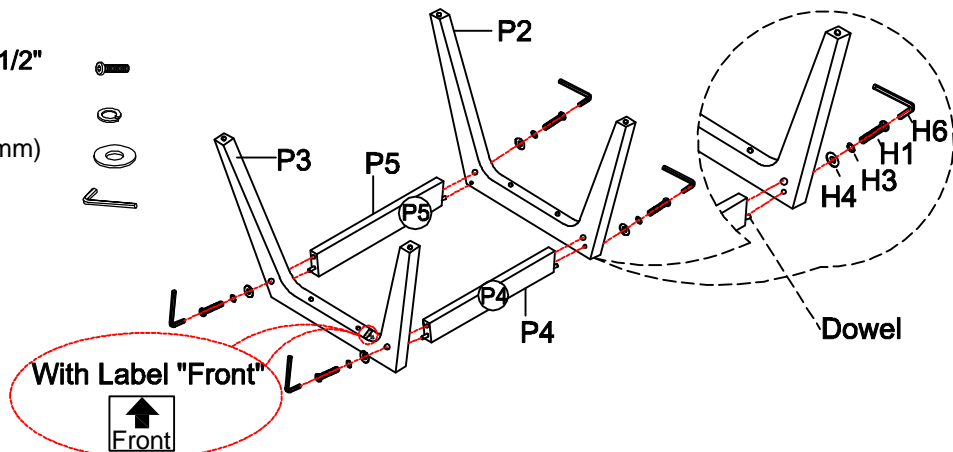
DISCLAIMER:

WHEN PROPERLY ASSEMBLED, THIS ITEM IS SAFE FOR INTENDED USE. SELLER IS NOT LIABLE FOR ANY DAMAGES RESULTING FROM ITEM BEING IMPROPERLY ASSEMBLED AFTER PURCHASE.

Assembly Procedures:

Step 1. Assemble the chair on a flat, soft surface such as a carpet or cloth to prevent scratching the finish. Attach top rails (P5) & (P4) to the left leg (P2) and the right leg (P3) according to the labels (front & P5 & P4) on each legs and rail and the holes of legs (P2 & P3). Securely tighten the bolts by Allen wrench (H6), but do not over tighten the bolts.

- (H1)x4 Short Bolts $\varnothing 1/4 \times 1-1/2$ "
- (H3)x4 Lock Washers 1/4"
- (H4)x4 Flat Washers 1/4"(12mm)
- (H6)x1 Allen Wrench 1/4"



Step 2. Attach the assembled base to the bottom of the chair top (P1). Securely tighten all bolts by Allen wrench (H6), but do not over tighten the bolts.

(H2)x4 Long Bolts $\text{Ø}1/4'' \times 2-1/4''$



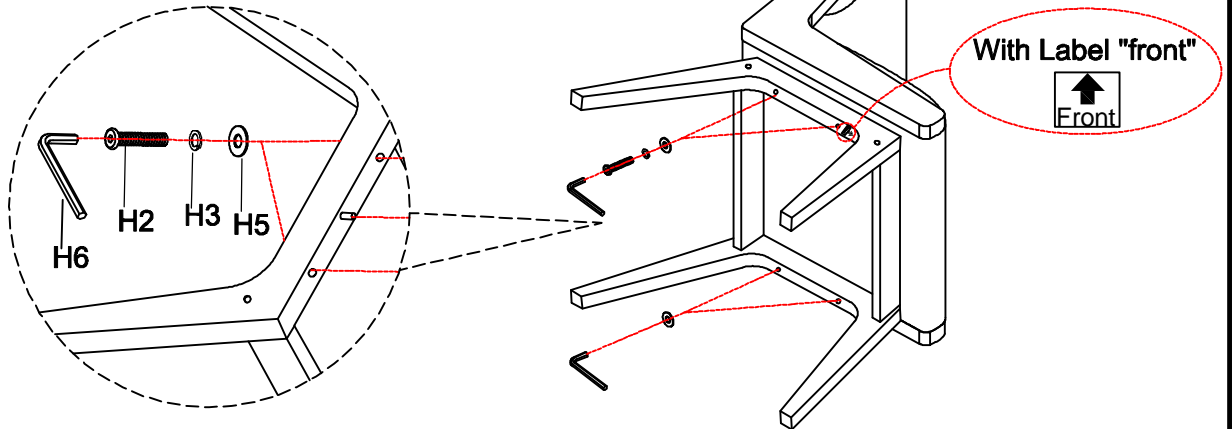
(H3)x4 Lock Washers 1/4"



(H5)x4 Flat Washers 1/4"(19mm)

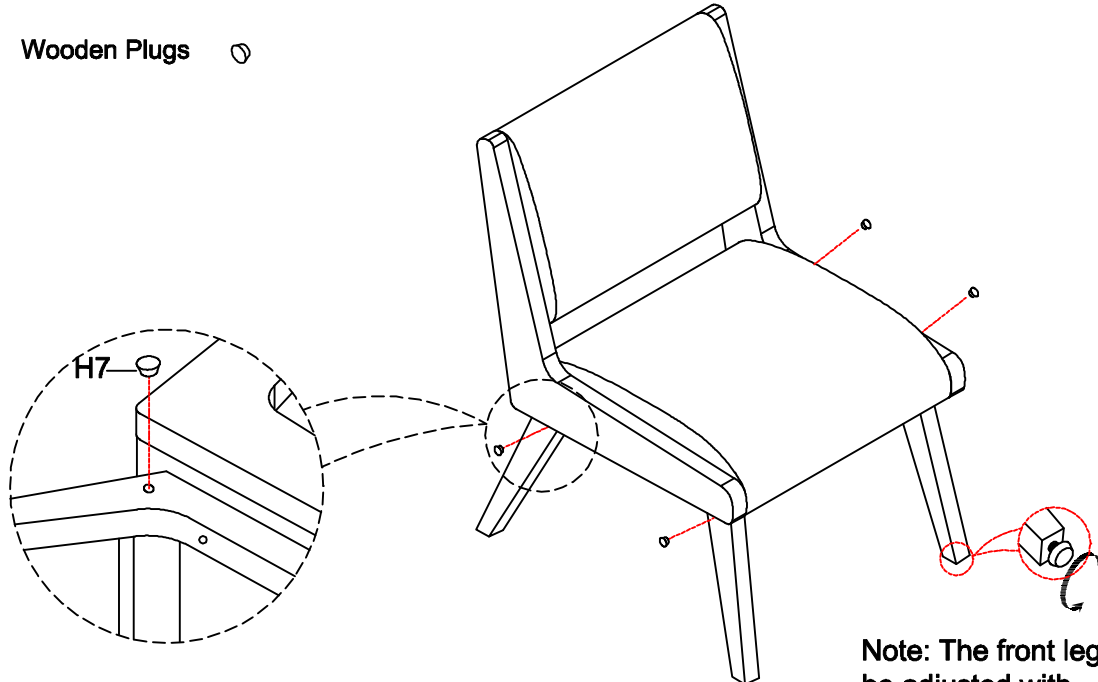


(H6)x1 Allen Wrench 1/4"



Step 3. Insert wood plugs (H7) over exposed screw holes, cover with cloth and strike softly with hammer until plug is flush with wood surface. Assembly is complete.

(H7)x4 Wooden Plugs



Note: The front legs can be adjusted with adjustable levelers.

ADDITIONAL NOTE ABOUT SAFETY: BOLTS MAY LOOSEN DURING NORMAL EVERYDAY USE. THEY SHOULD BE PERIODICALLY INSPECTED AND RE-TIGHTENED TO PREVENT DAMAGE OR INJURY. ALWAYS CHECK TO ENSURE THAT ALL HARDWARE IS KEPT TIGHTENED.

Thank you for your purchase