

ASSEMBLY INSTRUCTIONS

Description: Molly Armless Chair

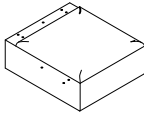
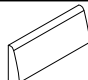


Important safety instructions:

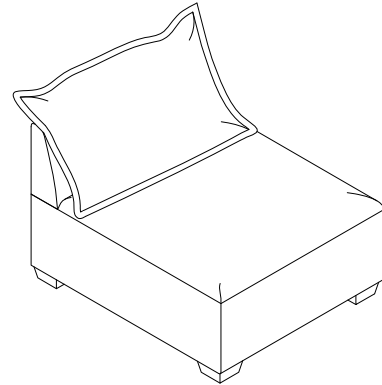
- Please read carefully all instructions before assembly.
- For your safety and ease, assembly by two or more adults is recommended.
- Keep instructions for future use.

Pre-assembly:








- Do not discard any content until assembly is complete to avoid accidentally discarding small parts or hardware.
- Take out all parts and hardware from box.

Parts List

Item	Description		QTY
P1	Seat		1
P2	Back		1
P3	Legs		4
P4	Pillow		1



Hardware List





Item	Description		QTY
H1	Long Bolts	Ø 1/4"*2-1/2"	 8
H2	Medium Bolts	Ø 1/4"*1-1/4"	 5
H3	Short Bolts	Ø 1/4"*3/4"	 8
H4	Lock Washers	1/4"	 13
H5	Flat Washers	1/4"	 13
H6	Allen Wrench	1/4"	 1
H7	Metal plates		 4

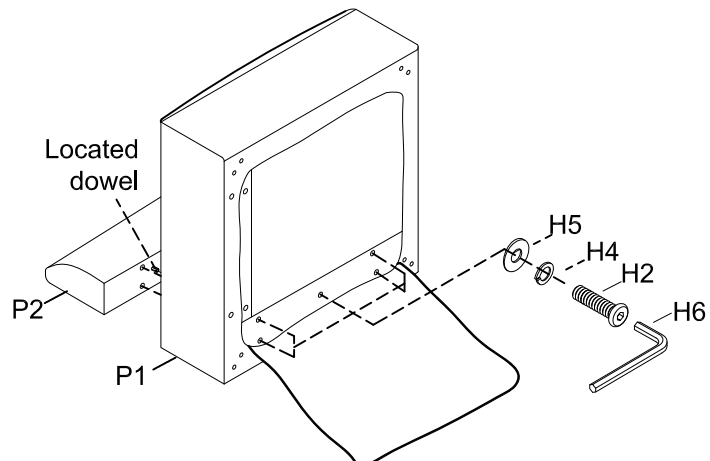
DISCLAIMER:

WHEN PROPERLY ASSEMBLED, THIS ITEM IS SAFE FOR INTENDED USE. SELLER IS NOT LIABLE FOR ANY DAMAGES RESULTING FROM ITEM BEING IMPROPERLY ASSEMBLED AFTER PURCHASE.





Assembly Procedures:

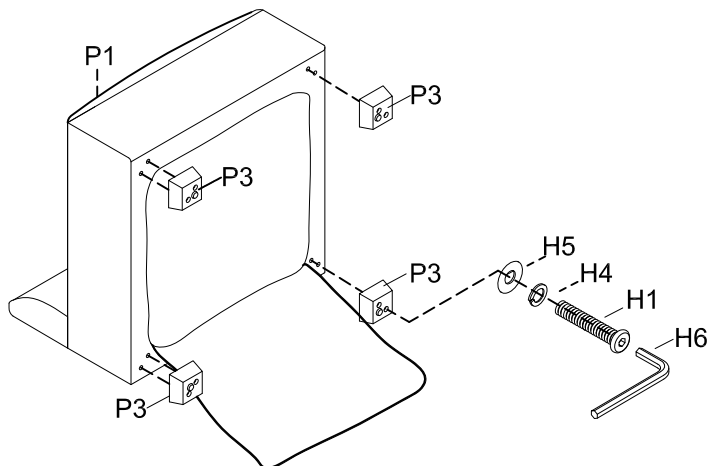
Step 1. Assemble the chair on a flat, soft surface such as a carpet or cloth to prevent scratching the finish. To locate the hardware, please turn the chair upside down, you will find the components beneath the fabric cover that is secured by zipper underneath the seat cushion. Legs and hardware box could be located beneath the fabric cover. Attach the back (P2) to the bottom of seat (P1) align the located dowels and the holes as shown below.

- (H2)x5 Medium Bolts Ø1/4"*1-1/4" 
- (H4)x5 Lock Washers 1/4" 
- (H5)x5 Flat Washers 1/4" 
- (H6)x1 Allen Wrench 1/4" 

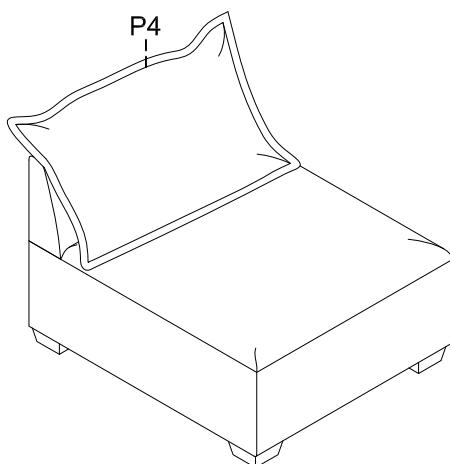


Step 2. Attach the legs (P3) to the bottom of cushion (P1) as shown.

- (H1)x8 Long Bolts \varnothing 1/4"*2-1/2" 
- (H4)x8 Lock Washers 1/4" 
- (H5)x8 Flat Washers 1/4" 
- (H6)x1 Allen Wrench 1/4" 



Step 3. Securely tighten all bolts with Allen wrench (H4), turn the assembled chair to an upright position. Put the pillows (P4) on the the chairs, assembly is complete. **Failure to follow these instructions may cause the bolts to misalign during assembly.**



ADDITIONAL NOTE ABOUT SAFETY: BOLTS MAY LOOSEN DURING NORMAL EVERYDAY USE. THEY SHOULD BE PERIODICALLY INSPECTED AND RE-TIGHTENED TO PREVENT DAMAGE OR INJURY. ALWAYS CHECK TO ENSURE THAT ALL HARDWARE IS KEPT TIGHTENED.

Thank you for your purchase

Step 1. Connect the armless chairs and the corner chairs together if needed.

(H3)x8 Short Bolts $\varnothing 1/4 \times 3/4$ "



(H5)x8 Flat Washers 1/4"



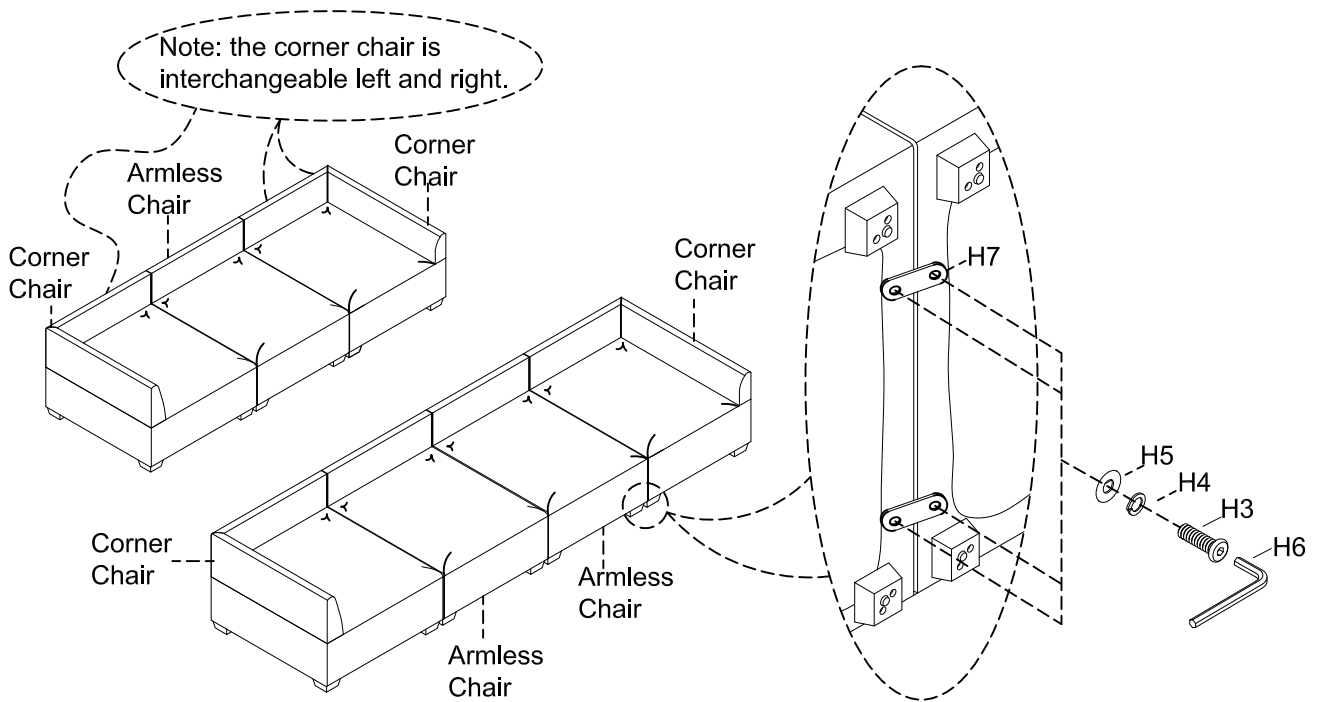
(H4)x8 Lock Washers 1/4"



(H6)x1 Allen Wrench 1/4"



(H7)x4 Metal plates



Step 2. Turn the assembled sofa to an upright position. Put the pillows on the the chairs, assembly is complete. **Failure to follow these instructions may cause the bolts to misalign during assembly.**

