

ASSEMBLY INSTRUCTIONS

Description: LANCASTER FAUX LEATHER WOOD FRAME (NONTEAK) UPHOLSTERED DINING CHAIR






Important safety instructions:

- Please read carefully all instructions before assembly.
- For your safety and ease, assembly by two or more adults is recommended.
- Keep instructions for future use.





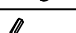

Pre-assembly:

- Do not discard any content until assembly is complete to avoid accidentally discarding small parts or hardware.
- Take out all parts and hardware from box.

Parts List

Item	Description	QTY
P1	Leg Frame (Right) 	1
P2	Leg Frame (Left) 	1
P3	X Stretcher 	1
P4	Seat Cushion 	1
P5	Back Cushion 	1

Hardware List

Item	Description	QTY
H1	Hex Bolts Ø5/16"x25mm 	4
H2	Bolts Ø5/16"x40mm 	8
H3	Lock Washers Ø5/16" 	12
H4	Flat Washers Ø5/16"x19mm 	12
H5	Allen Key 4mm 	1
H6	Wrench 12mm 	1

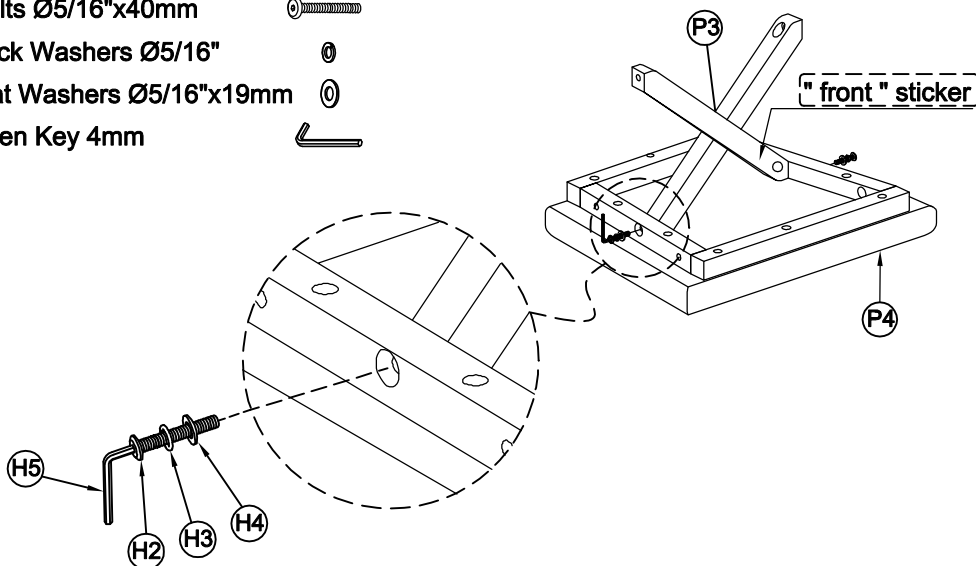
DISCLAIMER:

WHEN PROPERLY ASSEMBLED, THIS ITEM IS SAFE FOR INTENDED USE. SELLER IS NOT LIABLE FOR ANY DAMAGES RESULTING FROM ITEM BEING IMPROPERLY ASSEMBLED AFTER PURCHASE.

Assembly Procedures:

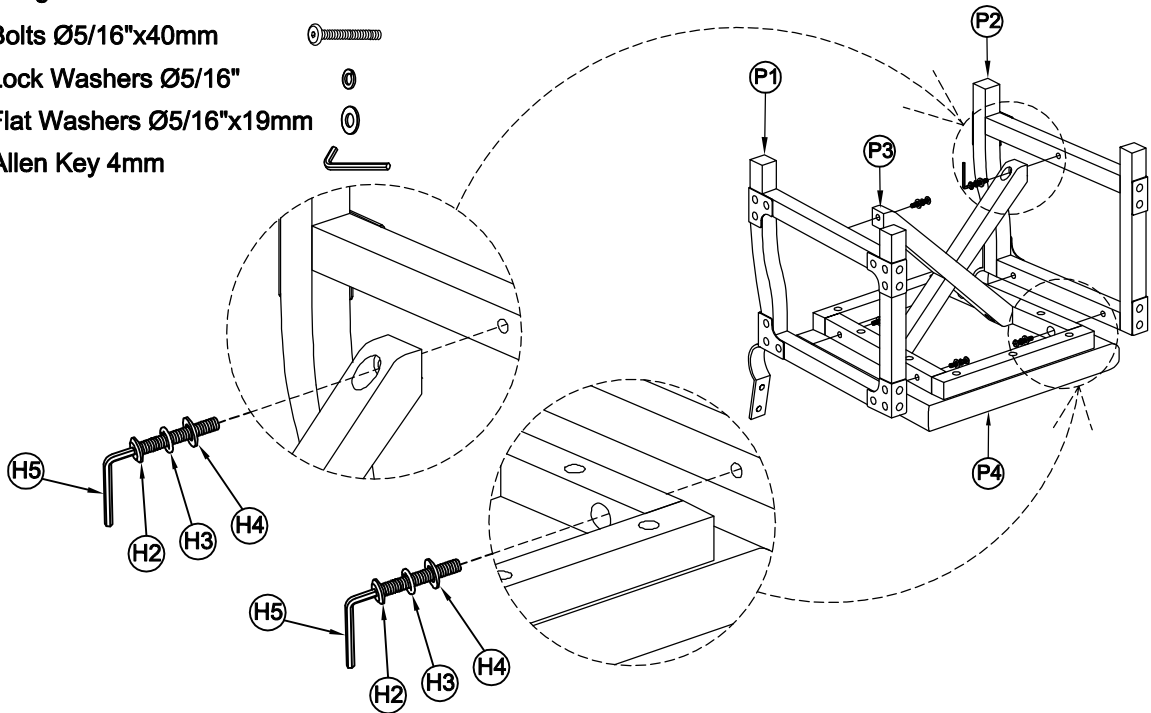
Step1: Assemble the dining chair on a flat, soft surface such as a carpet or cloth to prevent scratching the finish. Attach X Stretcher (P3) to Seat Cushion (P4) as shown below.

- (H2)x2 Bolts Ø5/16"x40mm 
- (H3)x2 Lock Washers Ø5/16" 
- (H4)x2 Flat Washers Ø5/16"x19mm 
- (H5)x1 Allen Key 4mm 



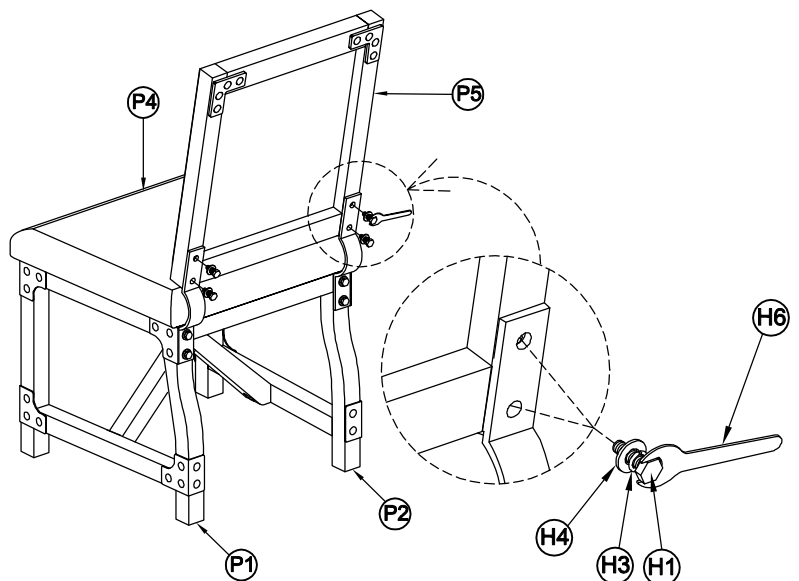
Step 2: Attach Leg Frame Right (P1), Leg Frame Left (P2) to Seat Cushion (P4) and X Stretcher (P3) as shown below. Don't Tighten all bolts.

- (H2)x6 Bolts Ø5/16"x40mm 
- (H3)x6 Lock Washers Ø5/16" 
- (H4)x6 Flat Washers Ø5/16"x19mm 
- (H5)x1 Allen Key 4mm 

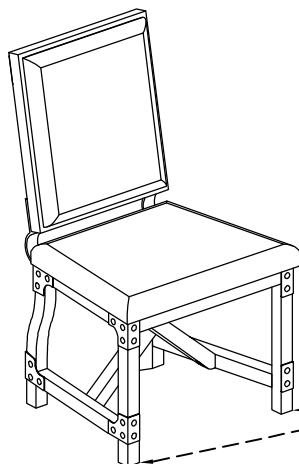


Step 3: Attach the Back Cushion (P5) to Leg Frame Right (P1) and Leg Frame Left (P2) as shown below. Then tighten all bolts.

- (H1)x4 Hex Bolts Ø5/16"x25mm 
- (H3)x4 Lock Washers Ø5/16" 
- (H4)x4 Flat Washers Ø5/16"x19mm 
- (H6)x1 Wrench 



Step 4: Turn the assembled Chair to an upright position. Assembly is completed.



Note: Front Legs Can be Adjusted With Adjustable Levelers

ADDITIONAL NOTE ABOUT SAFETY: BOLTS MAY LOOSEN DURING NORMAL EVERYDAY USE. THEY SHOULD BE PERIODICALLY INSPECTED AND RE-TIGHTENED TO PREVENT DAMAGE OR INJURY. ALWAYS CHECK TO ENSURE THAT ALL HARDWARE IS KEPT TIGHTENED.

Thank you for your purchase