



# ASSEMBLY INSTRUCTIONS

Description: Hollis Dining Chair

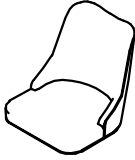
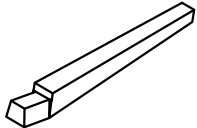
## Important safety instructions:

- Please read carefully all instructions before assembly.
- For your safety and ease, assembly by two or more adults is recommended.
- Keep instructions for future use.





## Pre-assembly:

- Do not discard any content until assembly is complete to avoid accidentally discarding small parts or hardware.
- Take out all parts and hardware from box.

## Parts List

Item	Description	QTY
P1	CHAIR TOP 	1
P2	LEGS 	4

## Hardware List

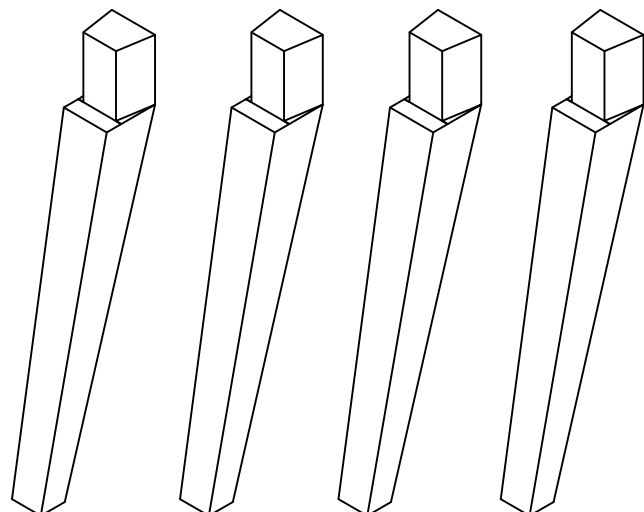
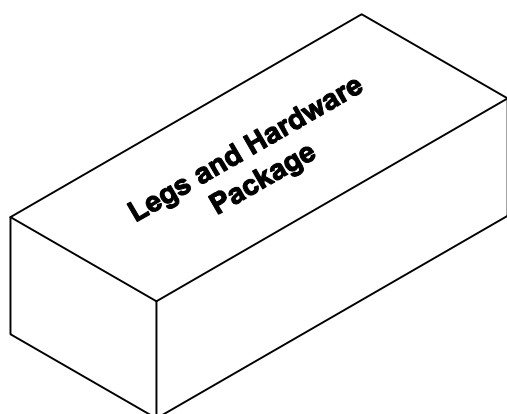
Item	Description	QTY
H1	Bolts 5/16"x 2-1/6" 	8
H2	Lock Washers 5/16" 	8
H3	Flat Washers 5/16" 	8
H4	Allen Wrench 	1

## DISCLAIMER:





**WHEN PROPERLY ASSEMBLED, THIS ITEM IS SAFE FOR INTENDED USE. SELLER IS NOT LIABLE FOR ANY DAMAGES RESULTING FROM ITEM BEING IMPROPERLY ASSEMBLED AFTER PURCHASE.**

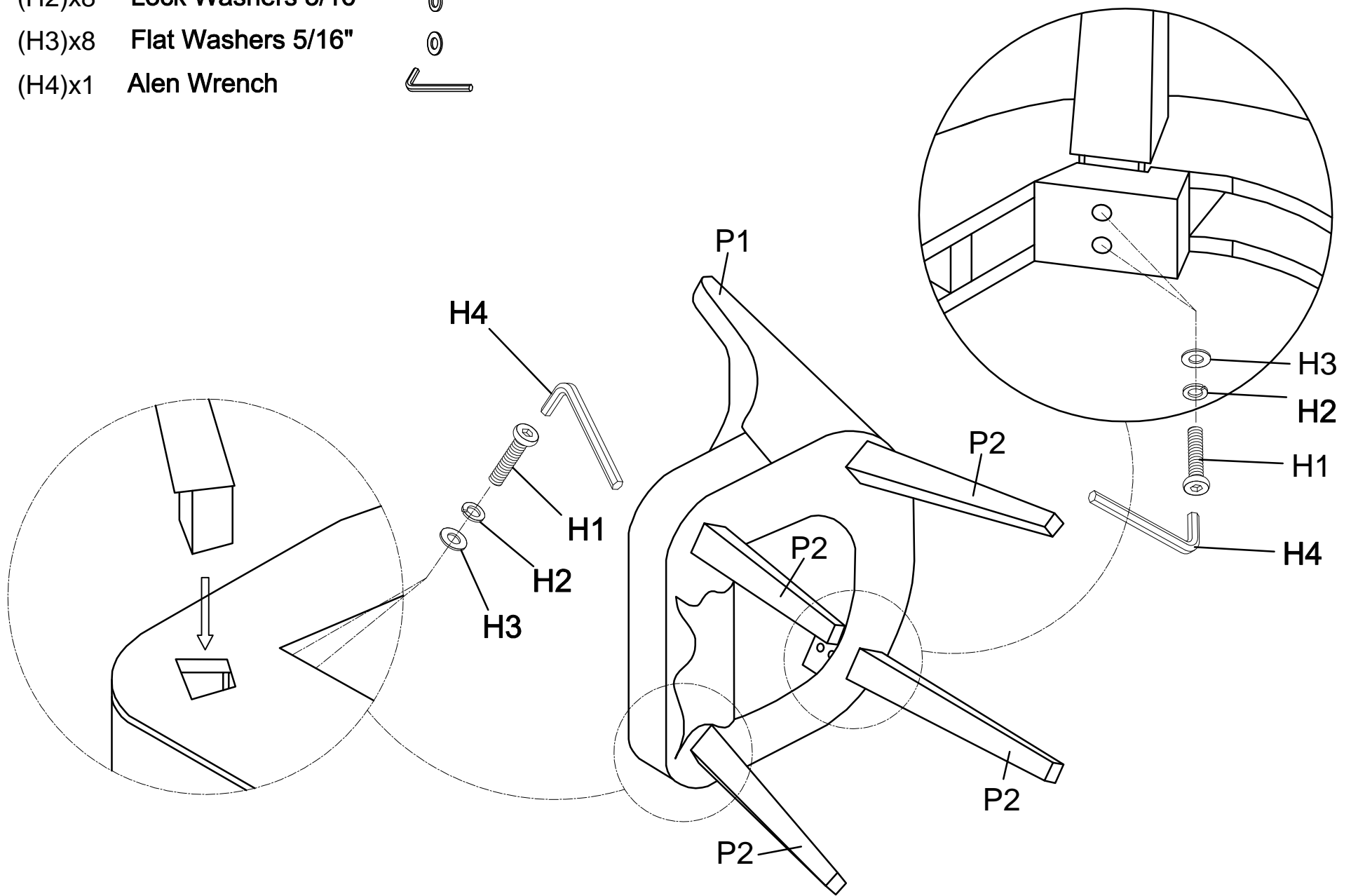
## Assembly Procedures:

**Step 1:** Assemble the chair on a flat and soft surface either on a carpet or cloth to prevent the finish from scratching. You open the box and will see the hardware package and components.

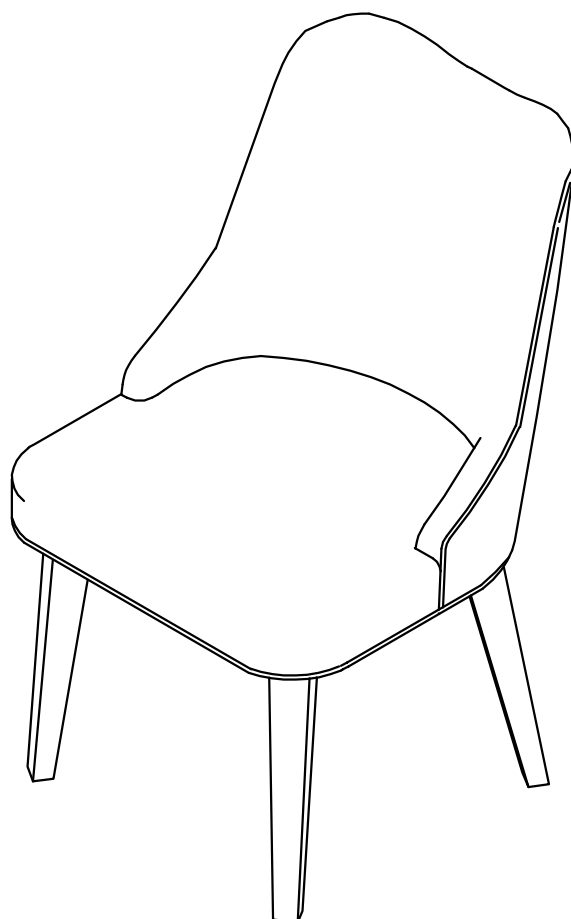


**Step 2:** Attach the Front Legs & Back Legs (P2) to the Chair Top (P1) as shown below. Tighten all the bolts and close the black fabric.

- (H1)x8 Bolts 5/16" x 2-1/6" 
- (H2)x8 Lock Washers 5/16" 
- (H3)x8 Flat Washers 5/16" 
- (H4)x1 Alen Wrench 



**Step 3:** Turn the chair over and place it upright on a level surface. Assembly is complete.



**ADDITIONAL NOTE ABOUT SAFETY: BOLTS MAY LOOSEN DURING NORMAL EVERYDAY USE. THEY SHOULD BE PERIODICALLY INSPECTED AND RE-TIGHTENED TO PREVENT DAMAGE OR INJURY. ALWAYS CHECK TO ENSURE THAT ALL HARDWARE IS KEPT TIGHTENED.**

Thank you for your purchase