




**Important safety instructions:**

- Please read carefully all instructions before assembly .
- For your safety and ease, assembly by two or more adults is recommended.
- Keep instructions for future use.

**Pre-assembly:**

- Do not discard any content until assembly is complete to avoid accidentally discarding small parts or hardware.
- Take out all parts and hardwares from box

**Parts List**

Item	Description	QTY
P1	WOOD FRONT LEGS  <b>A</b>	2 PCS
P2	WOOD BACK LEGS  <b>B</b>	2 PCS
P3	CHAIR 	1 PC

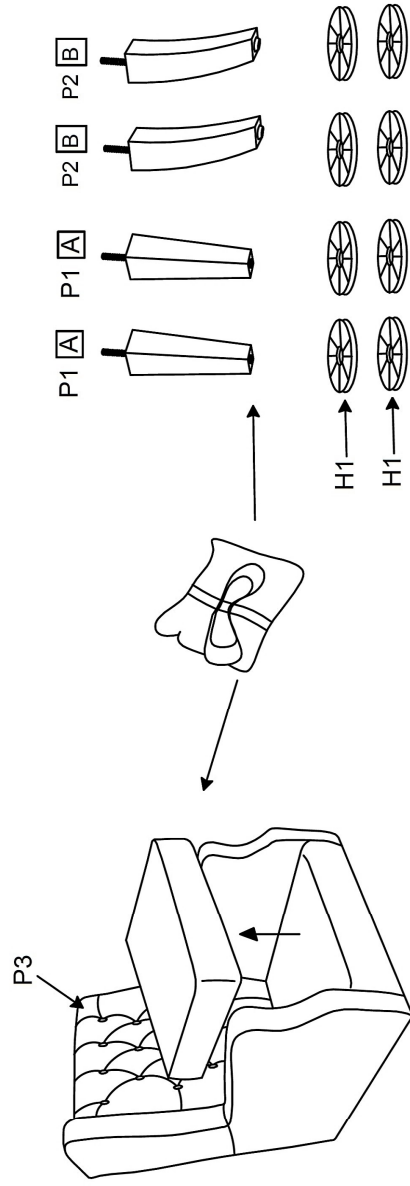
**Hardware List**

Item	Description	QTY
H1	PVC BLACK WASHER 	8 PCS

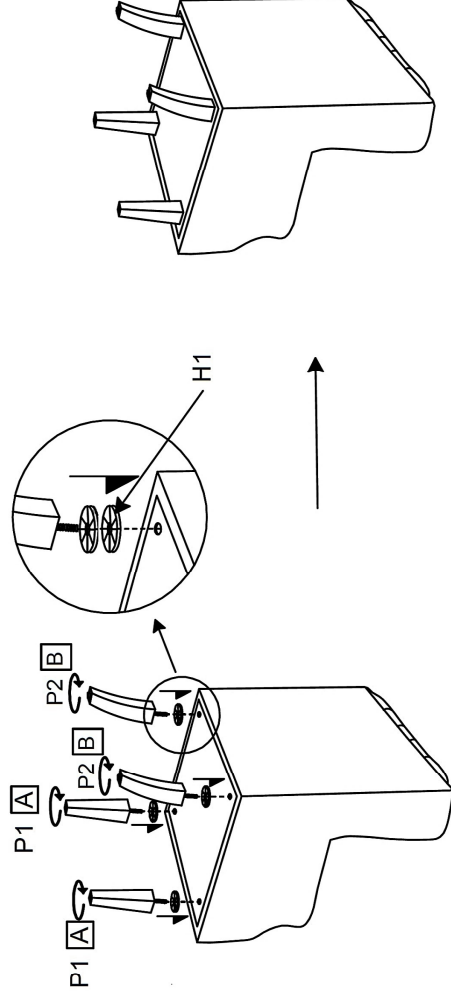
**DISCLAIMER :**  
**WHEN PROPERLY ASSEMBLED, THIS ITEM IS SAFE FOR INTENDED USE. SELLER IS NOT LIABLE FOR ANY DAMAGES RESULTING FROM ITEM BEING IMPROPERLY ASSEMBLED AFTER PURCHASE.**

**Assembly Procedures :**

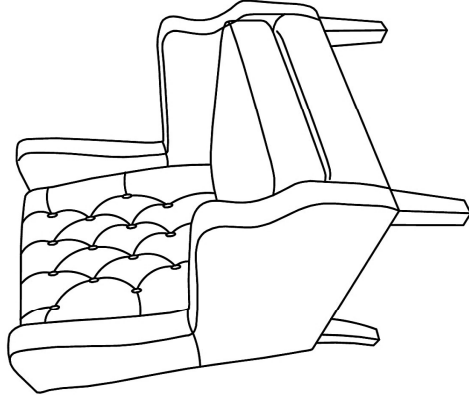
Step 1. Open the seat cushion , and take out the legs underneath the seat cushion.



Step 2. Attach the chair legs to seat frame, insert the pvc black washer (H1) .



Step 3. Turn the chair over.



#### Leg Level Guidance

Before tightening all the bolts, turn over the chair so it sits on its legs, and adjust the legs to level the chair. Then tighten all the bolts.

**CAUTION:** When tightening the bolts, tighten sequentially. DO NOT tighten any screw fully and then proceed to the next one. This could cause the frame to warp.

**WARNING!!**  
IF CHAIR IS NOT STABLE, IT COULD LEAD TO DAMAGING THE PRODUCT.

**ADDITIONAL NOTE ABOUT SAFETY: BOLTS MAY LOOSEN DURING NORMAL EVERYDAY USE. THEY SHOULD BE PERIODICALLY INSPECTED AND RE-TIGHTENED TO PREVENT DAMAGE OR INJURY. ALWAYS CHECK TO ENSURE THAT ALL HARDWARE IS KEPT TIGHTENED.**

Thank you for your purchase