

PARTS LIST

No.	DESCRIPTION	IMAGE	QTY
P1	CHAIR BACK		1
P2	SEAT FRAME		1
P3	FRONT LEG (LEFT)		1
P4	FRONT LEG (RIGHT)		1

HARDWARE LIST

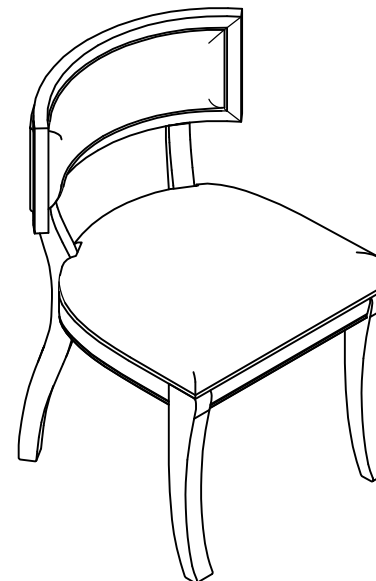
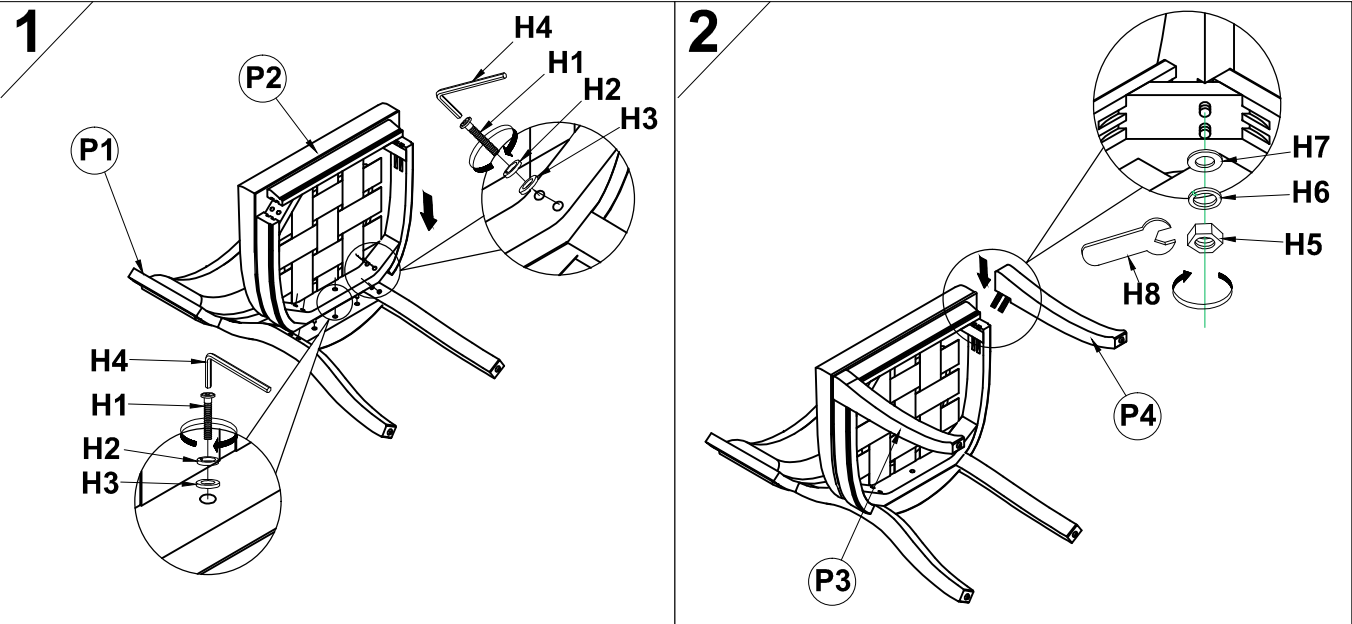
No.	DESCRIPTION	IMAGE	QTY
H1	BOLT (Ø1/4" x 2")		5
H2	SPRING WASHER (Ø1/4" x 1/2")		5
H3	FLAT WASHER (Ø1/4" x 3/4")		5
H4	ALLEN KEY		1
H5	HEX NUT (Ø1/4")		4
H6	SPRING WASHER (Ø1/4" x 1/2")		4
H7	FLAT WASHER (Ø1/4" x 3/4")		4
H8	WRENCH		1

NOTE: PO # is located underneath/ at the back panel of each item. Please be prepared to provide this # should any claim be necessary.

CAUTION: Item is heavy. Assembly should be performed by two people.

DISCLAIMER:

When properly assembled, this item is safe for intended use. Seller is not liable for any damages resulting from item being improperly assembled after purchase.



ASSEMBLED COMPLETE