


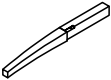
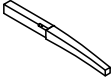

Important safety instructions:

- Please read carefully all instructions before assembly.
- For your safety and ease, assembly by two or more adults is recommended.
- Keep instructions for future use.

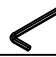





Pre-assembly:

- Do not discard any content until assembly is complete to avoid accidentally discarding small parts or hardware.
- Take out all parts and hardware from box.

Parts List

Item	Description		QTY
P1	REST + SEAT + CUSHION		1
P2	FRONT LEG LEFT		1
P3	FRONT LEG RIGHT		1
P4	BACK LEGS		2

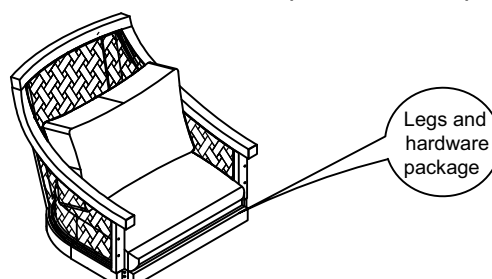
Hardware List

Item	Description		QTY
H1	ALLEN KEY 4 MM		1
H2	BOLT M6 X 60 MM		4
H3	BOLT M6 X 40 MM		8
H4	LOCK WASHER 6 X 11 X 2		12
H5	FLAT WASHER 6 X 13 X 1		12
H6	WOODEN PLUG		4

Disclaimer: When properly assembled, this item is safe for intended use. Seller is not liable for any damages resulting from item being improperly assembled after purchase

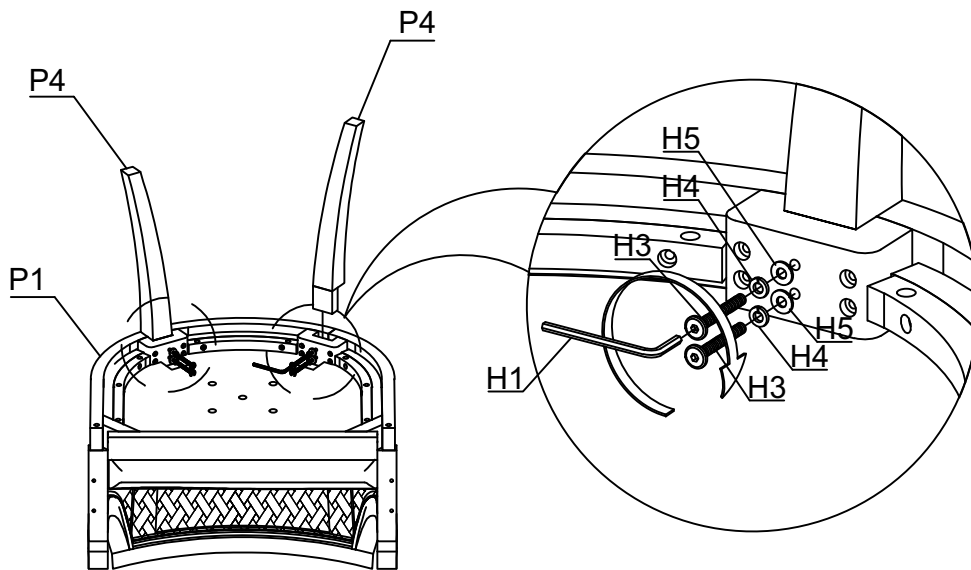
Assembly Procedures:

Step 1. Assemble the chair on a flat, soft surface such as a carpet or cloth to prevent scratching the finish.



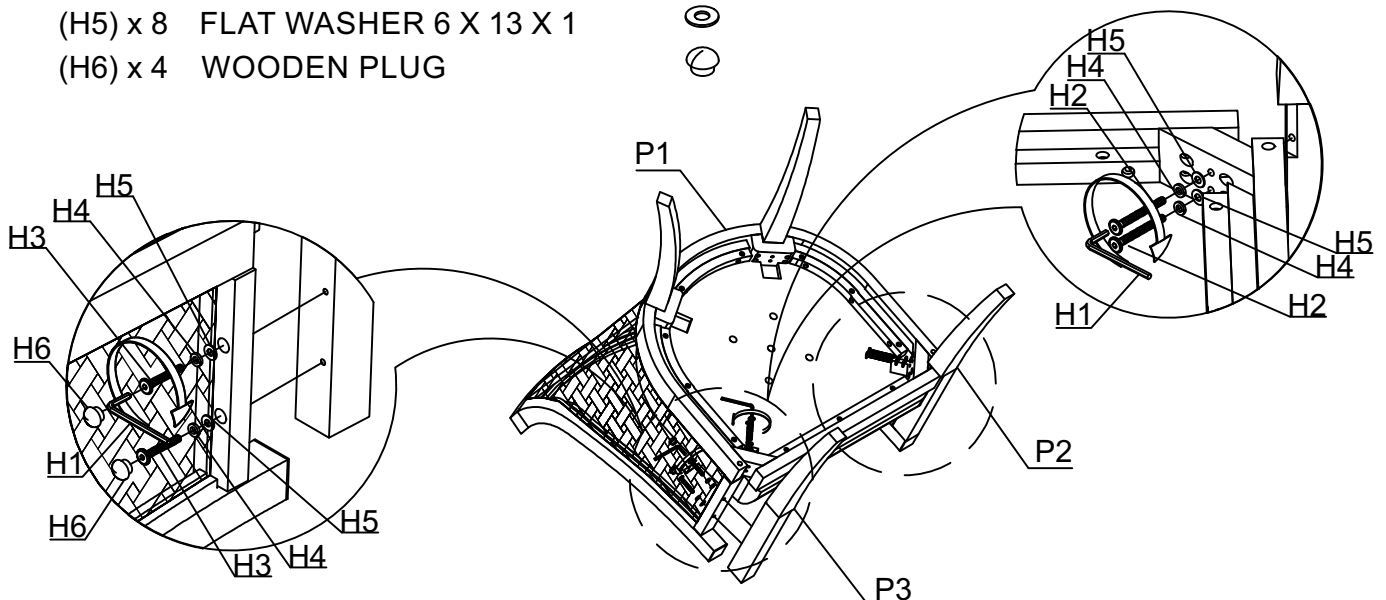
Step 2: Attach Back legs (P4) to Chair top (P1) using Allen key (H1), Lock washer (H4), Flat washers (H5), and 40 MM Bolt (H3).

- (H1) x 1 ALLEN KEY 4 MM
- (H3) x 4 BOLT M6 X 40 MM
- (H4) x 4 LOCK WASHER 6 X 11 X 2
- (H5) x 4 FLAT WASHER 6 X 13 X 1

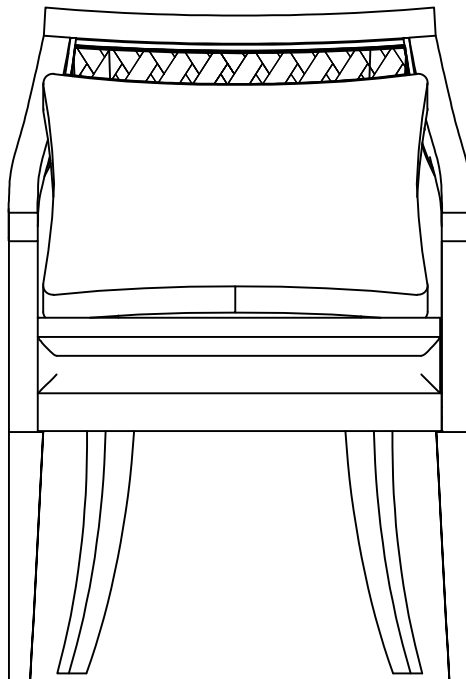


Step 3 : Attach the Front leg left (P2) and Front leg right (P3) to Chair top (P1) using Allen key (H1), Lock washer (H4), Flat washers (H5), 60 MM Bolt (H2), and 40 MM Bolt (H3), then cover the arm hole with wooden plug (H6) as shown below.

- (H1) x 1 ALLEN KEY 4 MM
- (H2) x 4 BOLT M6 X 60 MM
- (H3) x 4 BOLT M6 X 40 MM
- (H4) x 8 LOCK WASHER 6 X 11 X 2
- (H5) x 8 FLAT WASHER 6 X 13 X 1
- (H6) x 4 WOODEN PLUG



Step 4: Turn the assembled chair to an upright position. Assembly is complete.



ADDITIONAL NOTE ABOUT SAFETY: BOLTS MAY LOOSEN DURING NORMAL EVERYDAY USE. THEY SHOULD BE PERIODICALLY INSPECTED AND RE-TIGHTENED TO PREVENT DAMAGE OR INJURY. ALWAYS CHECK TO ENSURE THAT ALL HARDWARE IS KEPT TIGHTENED.

Thank you for your purchase