




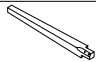
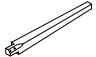

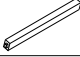


#### Important safety instructions:

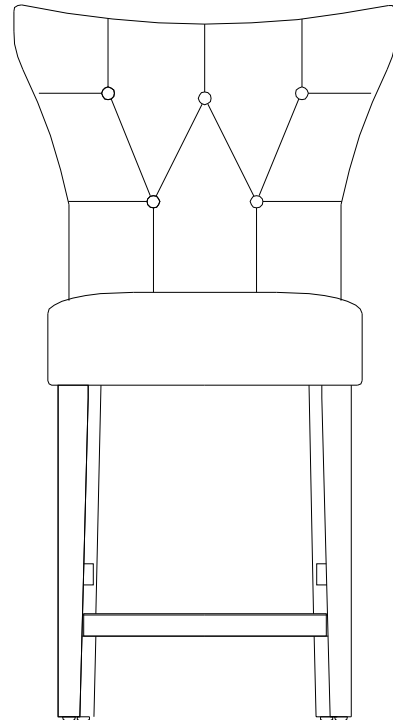
- Please read carefully all instructions before assembly.
- For your safety and ease, assembly by two or more adults is recommended.
- Keep instructions for future use.

#### Pre-assembly:






- Do not discard any content until assembly is complete to avoid accidentally discarding small parts or hardware.
- Take out all parts and hardware from box.

#### Parts List

| Item | Description          |   | QTY |
|------|----------------------|---|-----|
| P1   | Chair Top            |                              | 1   |
| P2   | Back Left Leg        |  P2                          | 1   |
| P3   | Back Right Leg       |  P3                          | 1   |
| P4   | Front Right Leg      |  P4                          | 1   |
| P5   | Front Left Leg       |  P5                         | 1   |
| P6   | Front Stretcher      |  P6<br>W / metal kickplate | 1   |
| P7   | Back Stretcher       |  P7                        | 1   |
| P8   | Left Side Stretcher  |  P8                        | 1   |
| P9   | Right Side Stretcher |  P9                        | 1   |



#### Hardware List





| Item | Description          |   | QTY |
|------|----------------------|---|-----|
| H1   | Bolts Ø5/16"*2-1/4"L |  | 8   |
| H2   | Lock Washers Ø5/16"  |  | 8   |
| H3   | Flat Washers Ø5/16"  |  | 8   |
| H4   | Allen Wrench Ø5/16"  |  | 1   |
| H5   | Screws #8*1-3/4"     |  | 8   |

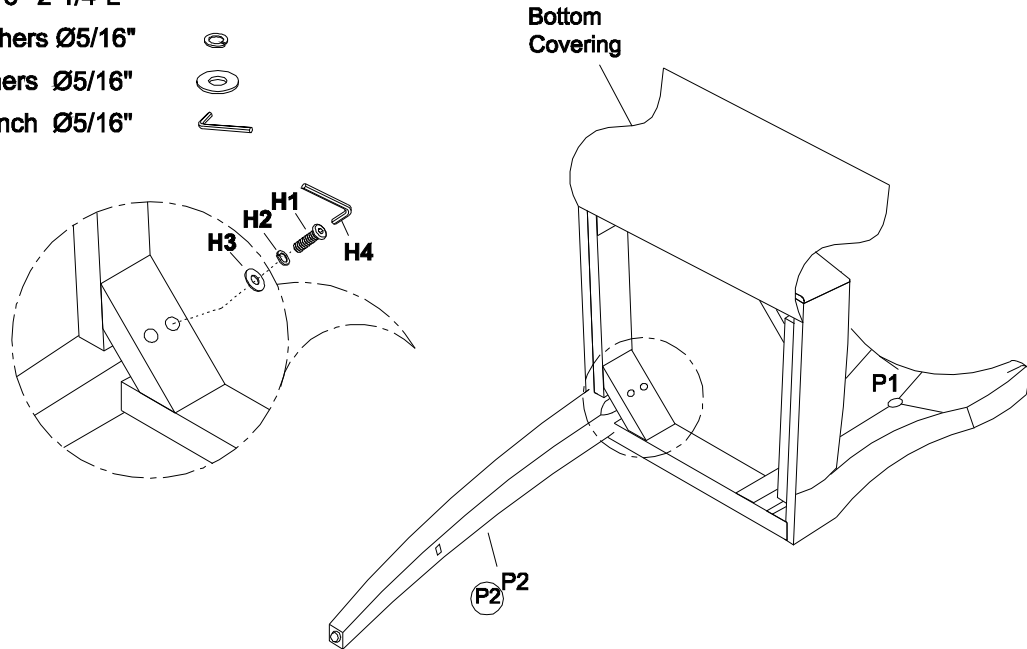
#### DISCLAIMER:

**WHEN PROPERLY ASSEMBLED, THIS ITEM IS SAFE FOR INTENDED USE. SELLER IS NOT LIABLE FOR ANY DAMAGES RESULTING FROM ITEM BEING IMPROPERLY ASSEMBLED AFTER PURCHASE.**




### Assembly Procedures:

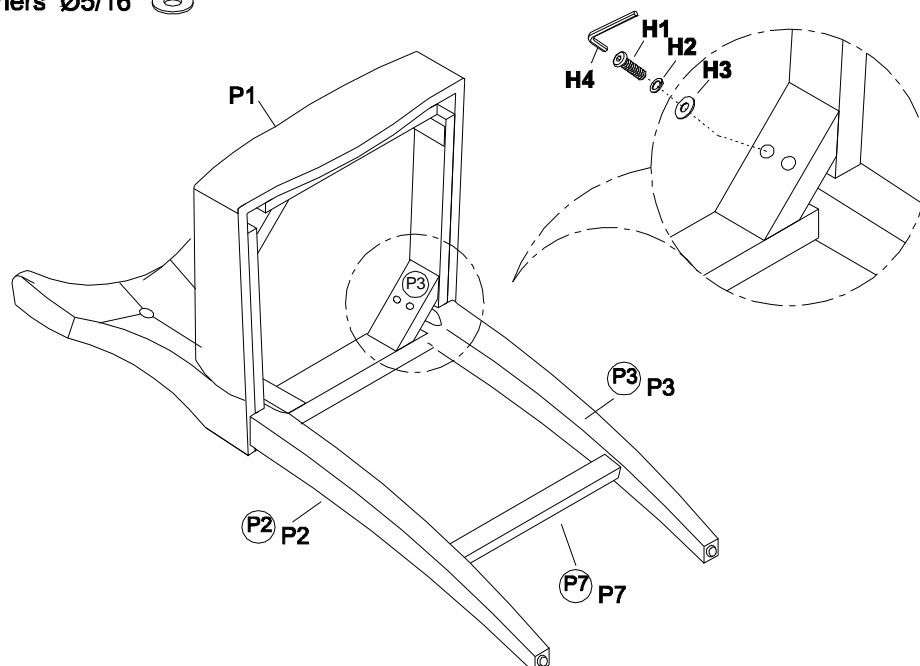
Step 1. Assemble the stool on a flat, soft surface such as a carpet or cloth to prevent scratching the finish. Open the bottom covering. **Loosely** attach the back left leg (P2) to seat cushion (P1) following the label "P2" on the back left leg (P2) and seat cushion (P1) accordingly and using bolts (H1), lock washers (H2) and flat washers (H3) as shown below.

- (H1)x2 Bolts  $\text{Ø}5/16'' \times 2-1/4'' \text{L}$  
- (H2)x2 Lock Washers  $\text{Ø}5/16''$  
- (H3)x2 Flat Washers  $\text{Ø}5/16''$  
- (H4)x1 Allen Wrench  $\text{Ø}5/16''$  






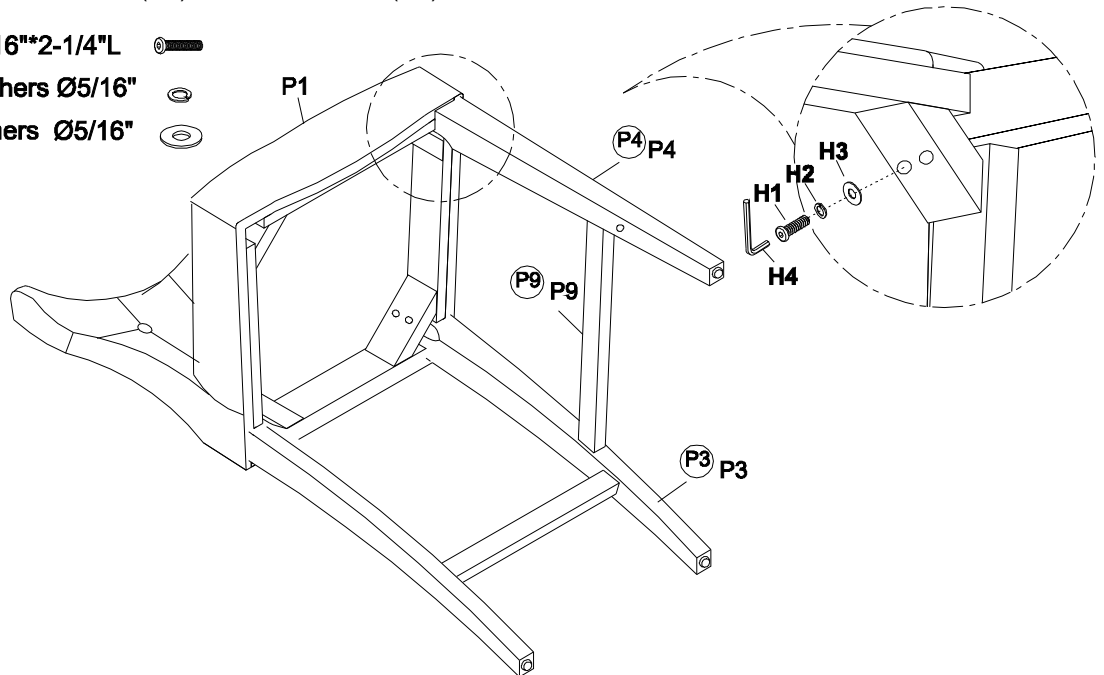
Step 2. Insert the back stretcher (P7) between two back legs (P2 & P3) following the labels "P2", "P3" and "P7" on each leg and the bottom of seat frame accordingly. **Loosely** attach the back right leg (P3) to the bottom of seat cushion (P1) using bolts (H1), lock washers (H2) and flat washers (H3) as shown below.

- (H1)x2 Bolts  $\text{Ø}5/16'' \times 2-1/4'' \text{L}$  
- (H2)x2 Lock Washers  $\text{Ø}5/16''$  
- (H3)x2 Flat Washers  $\text{Ø}5/16''$  







Step 3. Insert the right side stretcher (P9) between the back right leg (P3) and front right leg (P4) following the label "P9" and "P4" on each part accordingly. **Loosely** attach front right leg (P4) to the bottom of seat cushion (P1) using bolts (H1), lock washers (H2) and flat washers (H3) as shown below.

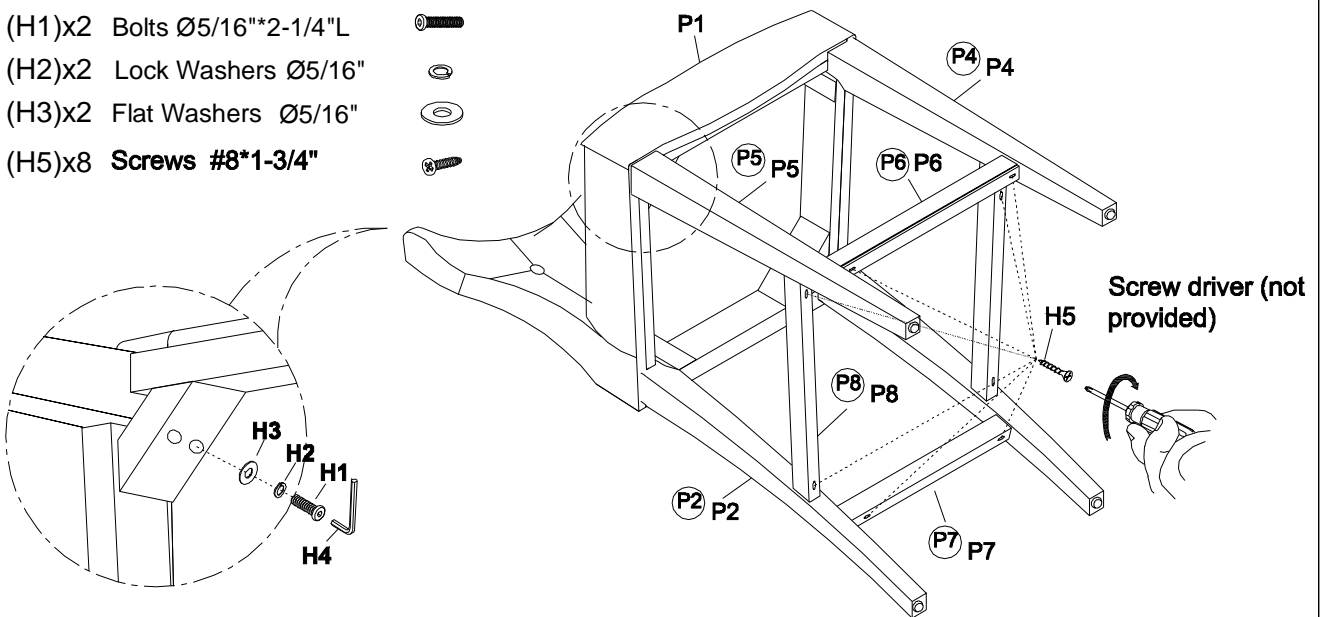
- (H1)x2 Bolts  $\text{Ø}5/16'' \times 2-1/4''\text{L}$  
- (H2)x2 Lock Washers  $\text{Ø}5/16''$  
- (H3)x2 Flat Washers  $\text{Ø}5/16''$  



**Step 4.**

- 1) Insert front stretcher (P6) between front legs (P4,P5), and insert left stretcher (P8) between front left leg (P5) and the back left leg (P2) following "P6" and "P8" on each part accordingly, then **loosely** attach front right leg (P5) to the bottom of seat cushion (P1) using short bolt (H1), lock washer (H2) and flat washer (H3) as shown below.
- 2) Tighten screws (H5) through the stretchers (P6, P7, P8, P9) to each leg with screw driver (not provided).
- 3) Make sure the stool is level and securely tighten all bolts by Allen wrench (H4). Close the bottom covering on the bottom of seat cushion (P1).
- 4) Assembly is complete. **Failure to follow these instructions may cause the bolts to misalign during assembly.**

- (H1)x2 Bolts  $\text{Ø}5/16'' \times 2-1/4''\text{L}$  
- (H2)x2 Lock Washers  $\text{Ø}5/16''$  
- (H3)x2 Flat Washers  $\text{Ø}5/16''$  
- (H5)x8 Screws  $\#8 \times 1-3/4''$  



ADDITIONAL NOTE ABOUT SAFETY: BOLTS MAY LOOSEN DURING NORMAL EVERYDAY USE. THEY SHOULD BE PERIODICALLY INSPECTED AND RE-TIGHTENED TO PREVENT DAMAGE OR INJURY. ALWAYS CHECK TO ENSURE THAT ALL HARDWARE IS KEPT TIGHTENED.

**Thank you for your purchase**