

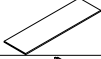


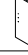

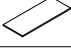




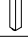


Important safety instructions:

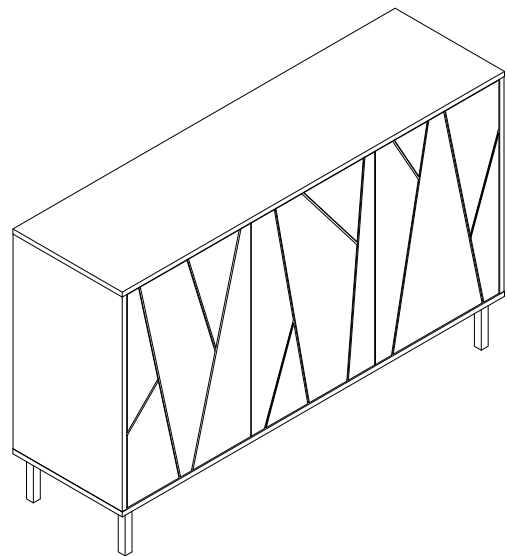
- Please read carefully all instructions before assembly.
- For your safety and ease, assembly by two or more adults is recommended.
- Keep instructions for future use.

Pre-assembly:





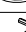







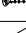

- Do not discard any content until assembly is complete to avoid accidentally discarding small parts or hardware.
- Take out all parts and hardware from box.

Parts List

Item	Description	QTY
P1	Top Panel 	1
P2	Left Side Panel 	1
P3	Right Side Panel 	1
P4	Center Panel 	1
P5	Bottom Panel 	1
P6	Left Shelf 	1
P7	Right Shelf 	1
P8	Left Door 	1
P9	Center Door 	1
P10	Right Door 	1
P11	Legs 	5
P12	Back Panel 	1
P13	Top Support Rail 	1



Hardware List

Item	Description	QTY
H1	Long Bolts Ø 1/4"x1-1/8" 	16
H2	Short Bolts Ø 1/4"x5/8" 	15
H3	Lock Washers 1/4" 	27
H4	Flat Washers 1/4" 	27
H5	Allen Wrench 1/4" 	1
H6	Wood Dowel 	12
H7	Shelf Pins 	8
H8	Round Head Screws 	30
H9	Big Hinges 	4
H10	Small Hinges 	2
H11	Long Screws Ø 1/8"x5/8" 	36
H12	Magnetic Touch Latches 	3
H13	Short Screws Ø 1/8"x1/2" 	12
H14	Anti Tip Kit 	1 SET

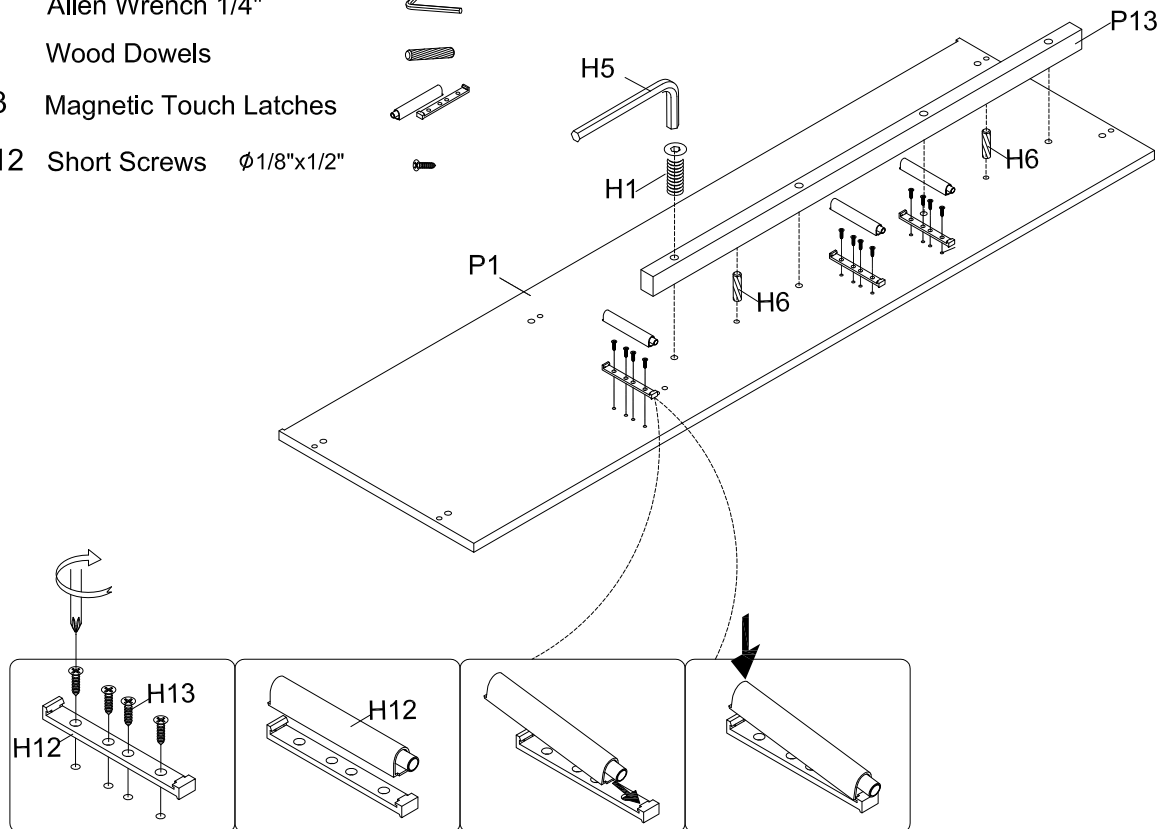
DISCLAIMER:

WHEN PROPERLY ASSEMBLED, THIS ITEM IS SAFE FOR INTENDED USE. SELLER IS NOT LIABLE FOR ANY DAMAGES RESULTING FROM ITEM BEING IMPROPERLY ASSEMBLED AFTER PURCHASE.

It will be take around 40 minutes for two adults to assembly.

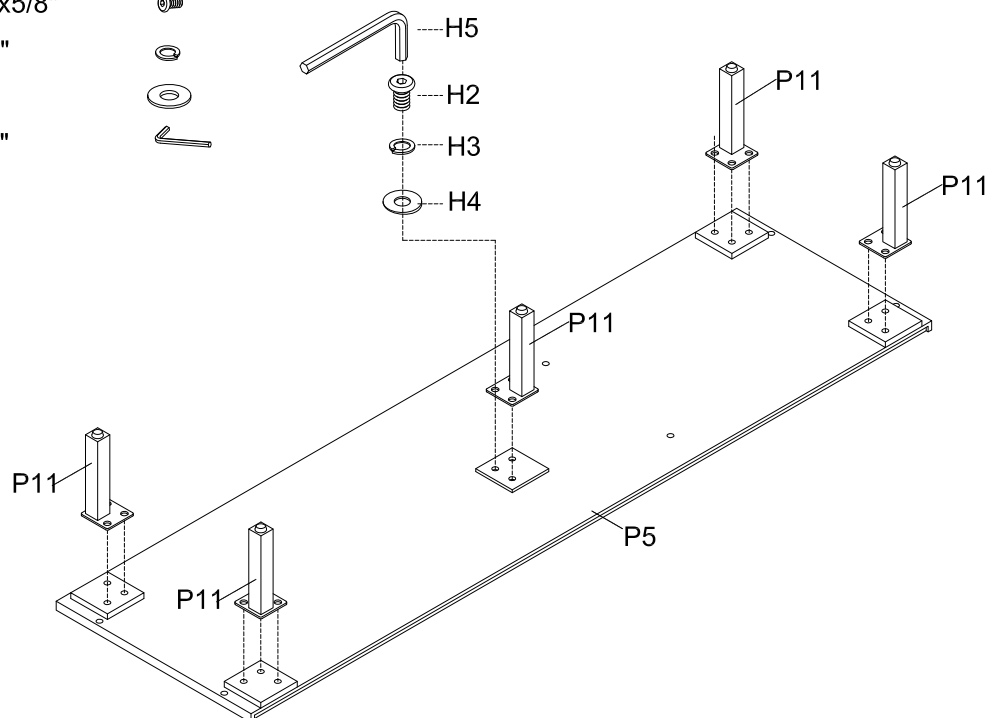
Step 1. Assemble the cabinet on a flat, soft surface such as a carpet or cloth to prevent scratching the finish. Attach the magnetic touch latches (H12) to the bottom of top panel (P1), then attach the top support rail (P13) to the bottom of top panel (P1) as shown below.

- (H1)x4 Long Bolts $\text{\O} 1/4 \times 1-1/8$ 
- (H5)x1 Allen Wrench $1/4$ " 
- (H6)x2 Wood Dowels 
- (H12)x3 Magnetic Touch Latches 
- (H13)x12 Short Screws $\text{\O} 1/8 \times 1/2$ 



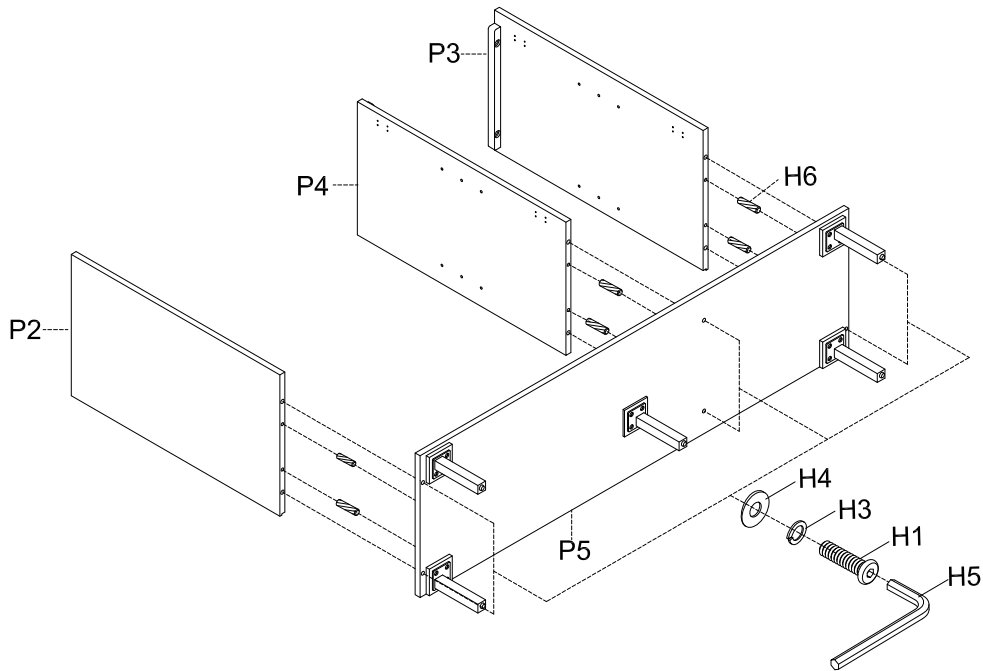
Step 2. Attach the legs (P11) to the bottom of bottom panel (P5) as shown below.

- (H2)x15 Short Bolts $\text{\O} 1/4 \times 5/8$ 
- (H3)x15 Lock Washers $1/4$ " 
- (H4)x15 Flat Washers $1/4$ " 
- (H5)x1 Allen Wrench $1/4$ " 



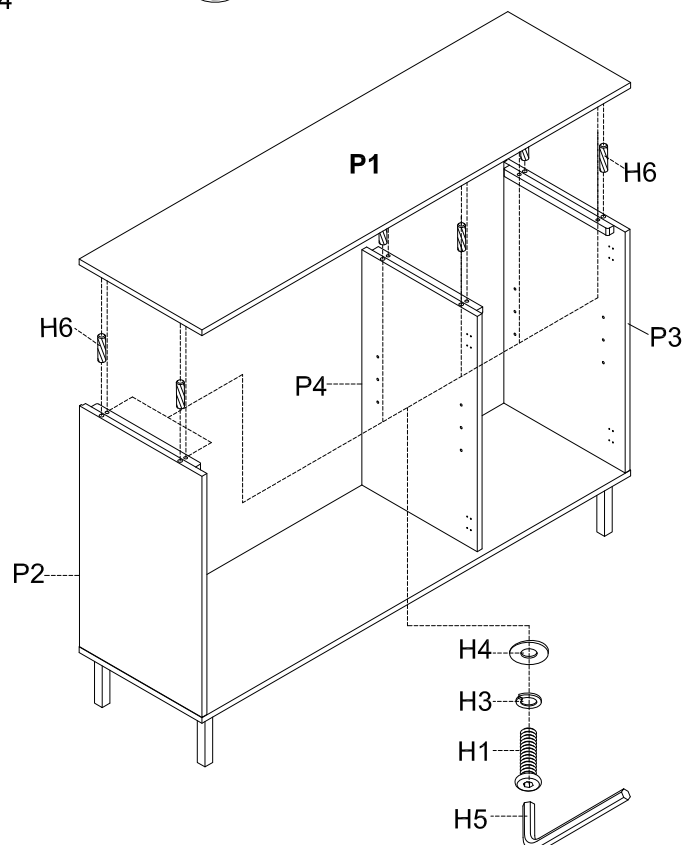
Step 3. Attach the left side panel (P2) and center panel (P4) and right side panel (P3) to the bottom panel (P5) as shown below.

- | | | | | | |
|--------|--------------------------------------|---|--------|-------------------|---|
| (H1)x6 | Long Bolts \varnothing 1/4"x1-1/8" |  | (H5)x1 | Allen Wrench 1/4" |  |
| (H3)x6 | Lock Washers 1/4" |  | (H6)x6 | Wood Dowel |  |
| (H4)x6 | Flat Washers 1/4" |  | | | |

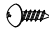


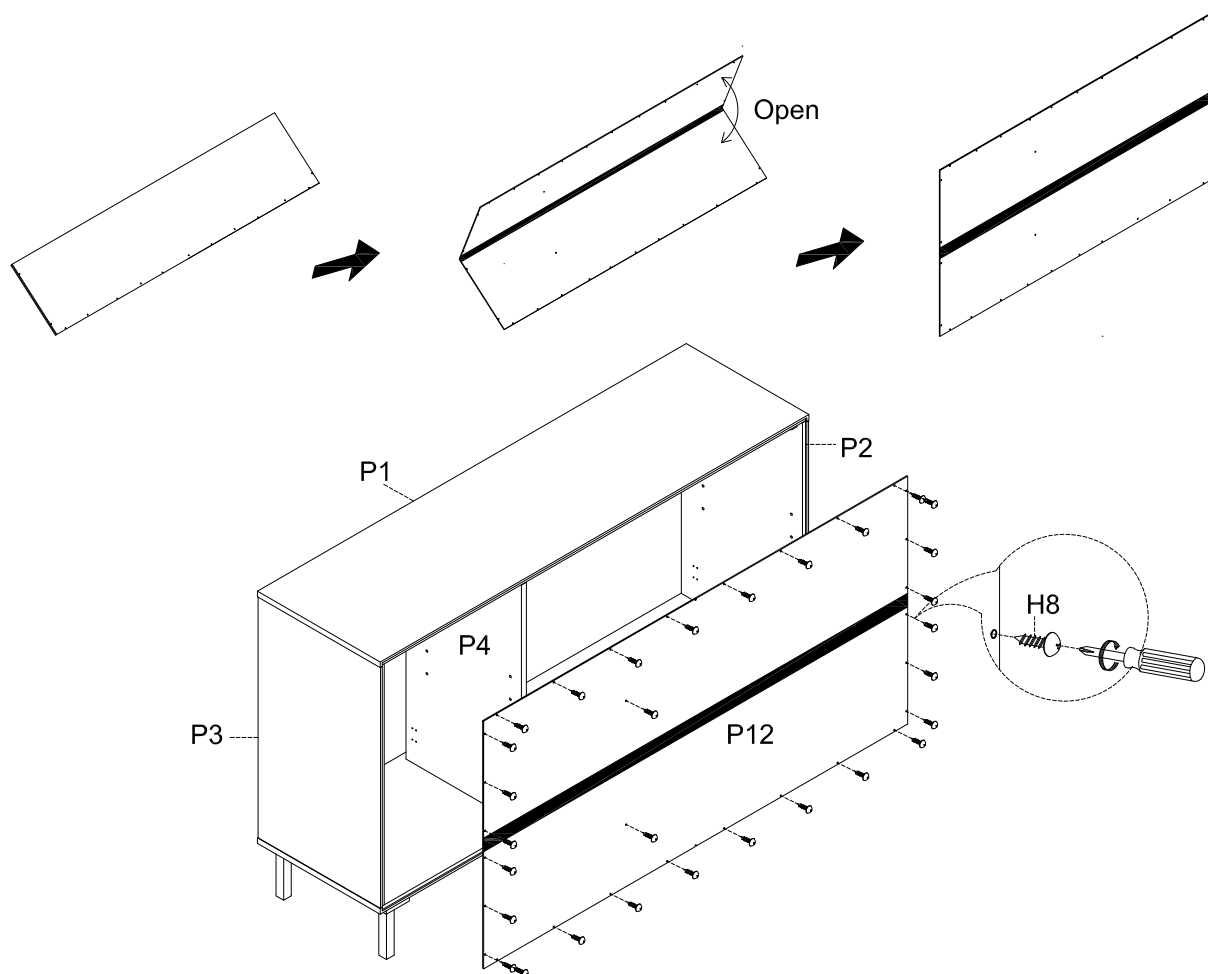
Step 4. Turn the assembled cabinet frame to an upright position. Attach the top panel (P1) to the assembled side panels (P2 & P3) and center panel (P4) as shown below. Securely tighten all the bolts with Allen wrench (H5).

- | | | | | | |
|--------|--------------------------------------|---|--------|-------------------|---|
| (H1)x6 | Long Bolts \varnothing 1/4"x1-1/8" |  | (H5)x1 | Allen Wrench 1/4" |  |
| (H3)x6 | Lock Washers 1/4" |  | (H6)x6 | Wood Dowel |  |
| (H4)x6 | Flat Washers 1/4" |  | | | |




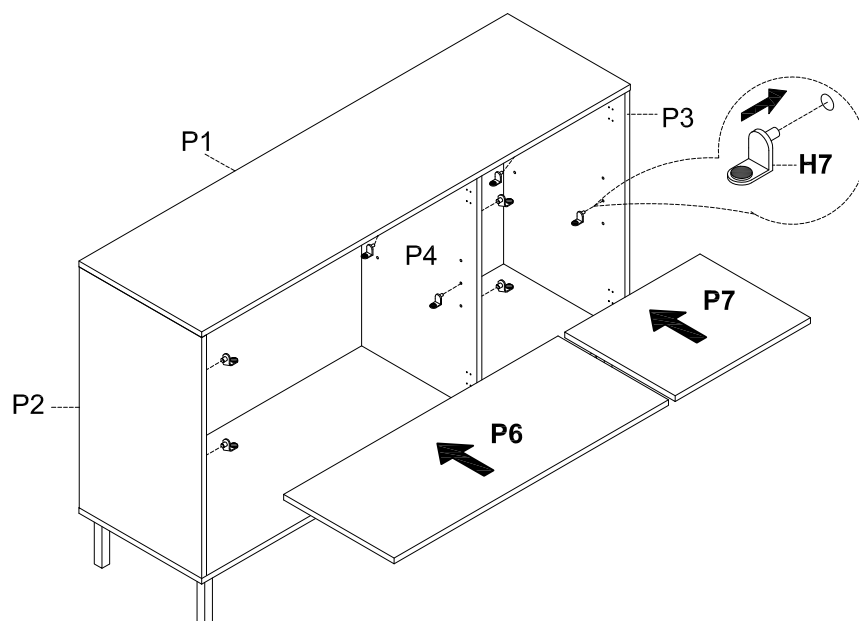
Step 5. Open the back panel (P12), then attach it to the assembled cabinet as shown below.

(H8)x30 Round Head Screw 



Step 6. Attach the left shelf (P6) and the right shelf (P7) to the assembled cabinet as shown below.

(H7)x8 Shelf Pins 

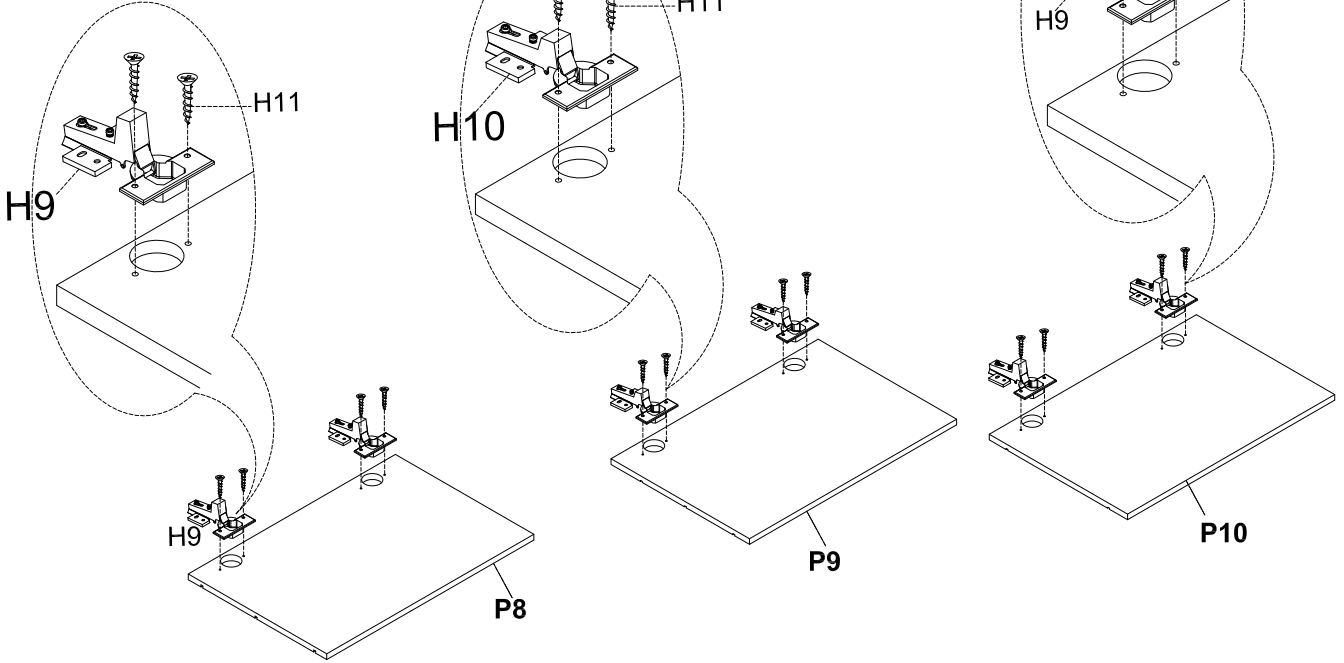
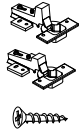


Step 7. Attach the big hinges (H9) to the left door (P8) and right door(P10), and attach the small hinge (H10) to the center door (P9) as shown below.

(H9)x4 Big Hinges

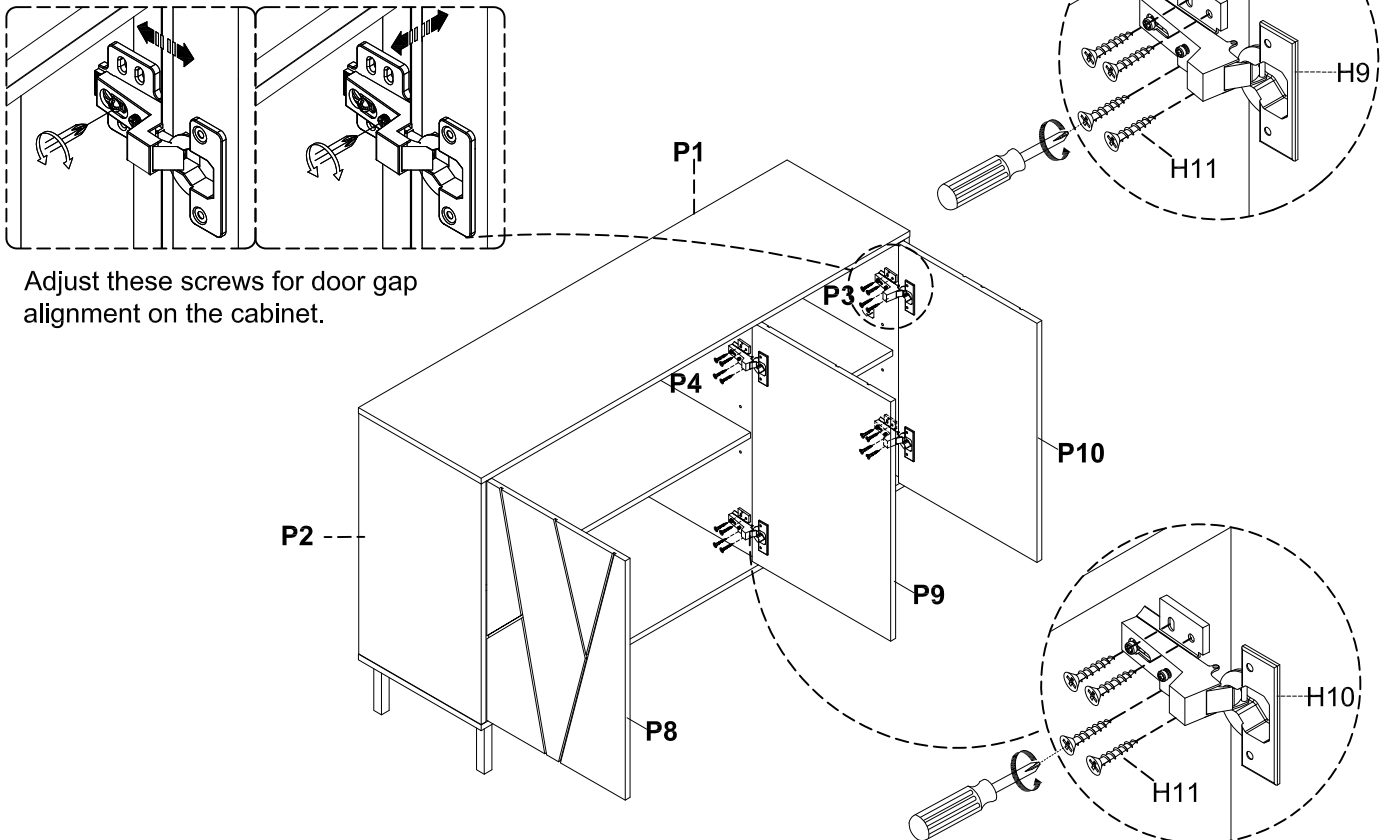
(H10)x2 Small Hinges

(H11)x12 Screw $\phi 1/8" \times 5/8"$



Step 8. Attach the left door (P8) and right door(P10) and the center door (P9) to the assembled cabinet frame as shown below.

(H11)x24 Screws $\phi 1/8" \times 5/8"$

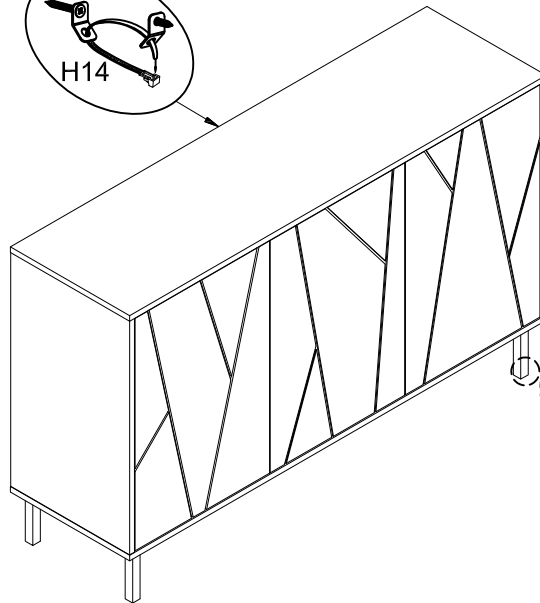
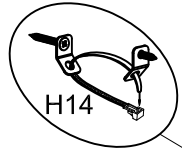
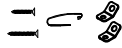


Adjust these screws for door gap alignment on the cabinet.

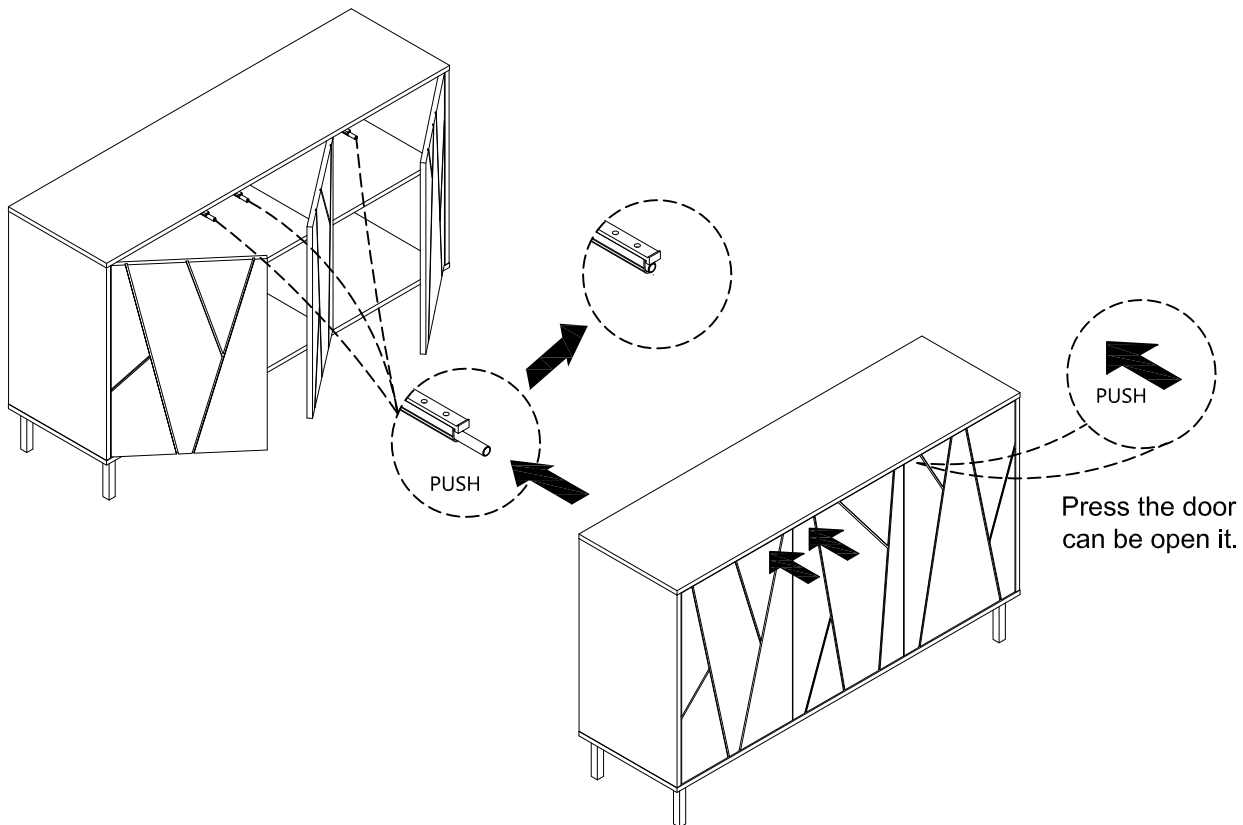
Step 9.

- 1) **Leveler adjustment:** Levelers are pre-installed on the legs and adjust as needed to make sure the cabinet is leveled.
- 2) Assembly is complete. **Failure to follow these instructions may cause the bolts to misalign during assembly.**
- 3) **Recommend that you attach the products to a wall as a safety precaution.** Please see the other instructions "**Furniture Safety Bracket Tip Resistant**".

(H14)x1 Anti Tip Kit



Adjustable leveler



ADDITIONAL NOTE ABOUT SAFETY: BOLTS MAY LOOSEN DURING NORMAL EVERYDAY USE. THEY SHOULD BE PERIODICALLY INSPECTED AND RE-TIGHTENED TO PREVENT DAMAGE OR INJURY. ALWAYS CHECK TO ENSURE THAT ALL HARDWARE IS KEPT TIGHTENED.

Thank you for you purchase

Furniture Safety Bracket Tip Resistant

- Designed to help prevent furniture tipover.
- Detachable strap allows for easy moving of furniture for cleaning.
- Also helps prevent furniture from tipping during minor tremors.

Installation:

Short Screw (1pc)



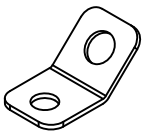
Long Screw (1pc)



Strap (1pc)



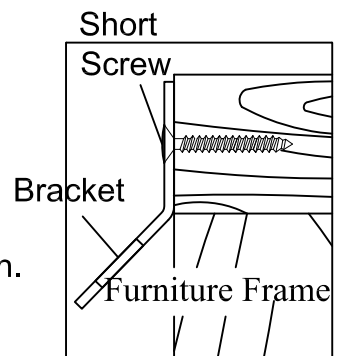
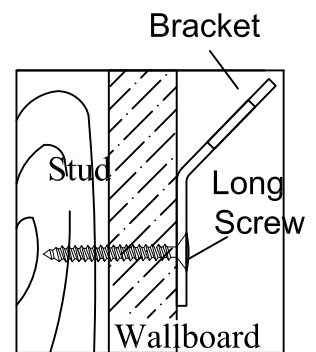
Bracket (2pcs)



1. Locate a wall stud behind your furniture. Position a bracket on the stud approximately 1" below the top frame of the furniture. Mark and drill pilot hole into the center of the stud with a 3/32" drill bit. Attach a bracket to the stud with the long screws provided.

2. On the back of the furniture, a bracket will need to be attached to the furniture frame at the top. To do this, temporarily move the furniture into its final position and mark the location of the wall bracket on the furniture frame. Move the furniture away from the wall and place a bracket on the mark. Mark and drill holes for screws with a 3/32" drill bit. Attach the bracket to the furniture with the short screws provided.

3. Move the furniture into its final position, taking care to line up the wall bracket with the furniture bracket. Thread a strap through the bracket as shown in the illustration. Tighten strap until snug. Do not overtighten.



Important:

Check to be sure the wall bracket is firmly screwed into wall stud, the furniture bracket is firmly attached to the frame, and the strap is snug.

Caution:

This product is not to be a substitute for proper parental supervision. Manufacturer assumes no liability for improper installation or excessive loads placed on screws brackets or straps.

Warning:

Children have died from furniture tipover. To reduce the risk of furniture tipover:

- ALWAYS install tipover restraint provided.
- NEVER put a TV on this product.
- NEVER allow children to stand, climb or hang on drawers, doors, or shelves.
- NEVER open more than one drawer at a time.
- Place heaviest items in the lowest drawers.

This is a permanent label.

Do not remove!

