

MADISON PARK® ASSEMBLY INSTRUCTIONS

Description: Cirque Desk





Important safety instructions:

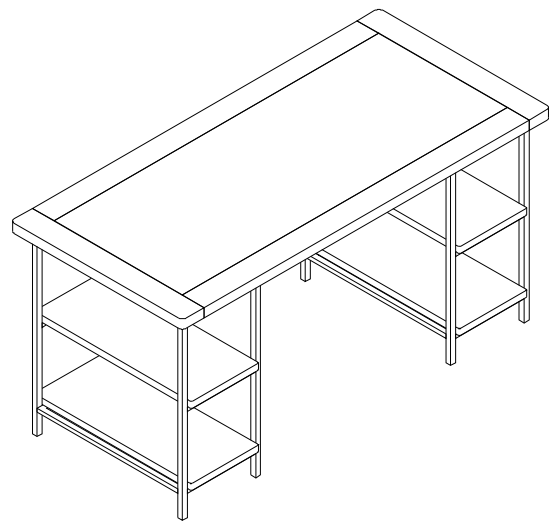
- Please read carefully all instructions before assembly.
- For your safety and ease, assembly by two or more adults is recommended.
- Keep instructions for future use.

Pre-assembly:






- Do not discard any content until assembly is complete to avoid accidentally discarding small parts or hardware.
- Take out all parts and hardware from box.

Parts List

Item	Description	QTY
H1	Top Panels 	1
H2	Side Frames 	4
H3	Middle Shelves 	2
H4	Bottom Shelves 	2



Hardware List





Item	Description	QTY
P1	Bolts Ø1/4"x1-1/4" 	32
P2	Spring Washers 1/4" 	32
P3	Flat Washers 1/4" 	32
P4	Allen Wrench 1/4" 	1
P5	Screws 	12

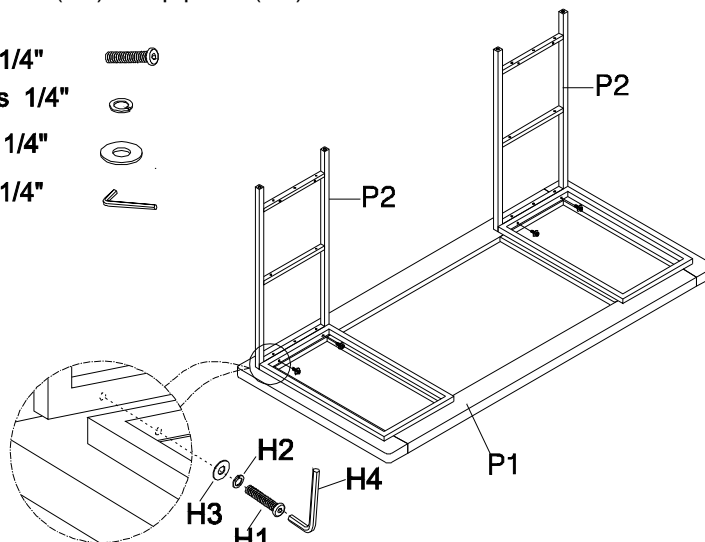
DISCLAIMER:

WHEN PROPERLY ASSEMBLED, THIS ITEM IS SAFE FOR INTENDED USE. SELLER IS NOT LIABLE FOR ANY DAMAGES RESULTING FROM ITEM BEING IMPROPERLY ASSEMBLED AFTER PURCHASE.


Assembly Procedures:

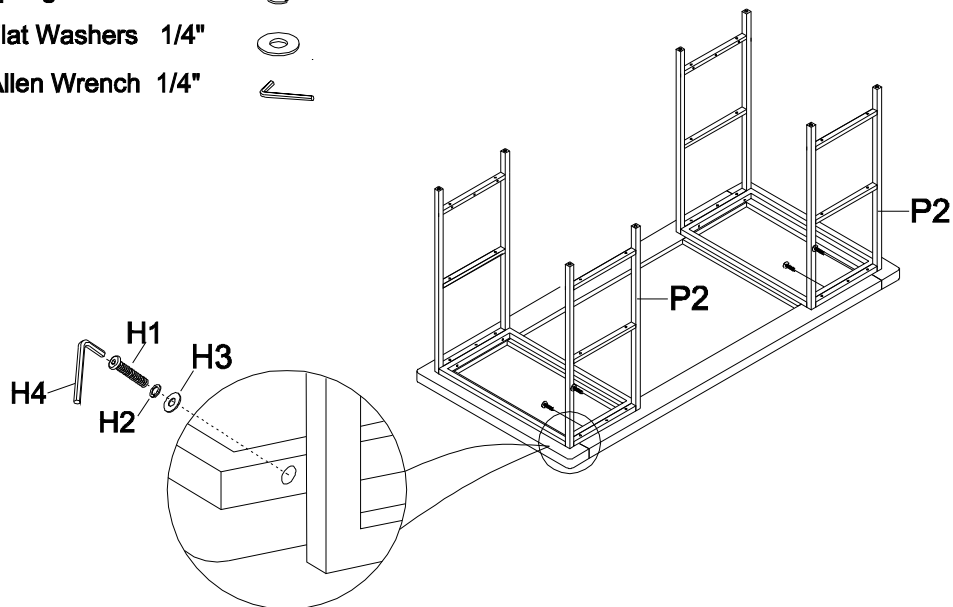
Step 1. Assemble the table on a flat, soft surface such as a carpet or cloth to prevent scratching the finish. Loosely attach the side frame (P2) to top panel (P1) as shown below.

- (H1) x 4 Bolts Ø1/4"x1-1/4" 
- (H2) x 4 Spring Washers 1/4" 
- (H3) x 4 Flat Washers 1/4" 
- (H4) x 1 Allen Wrench 1/4" 







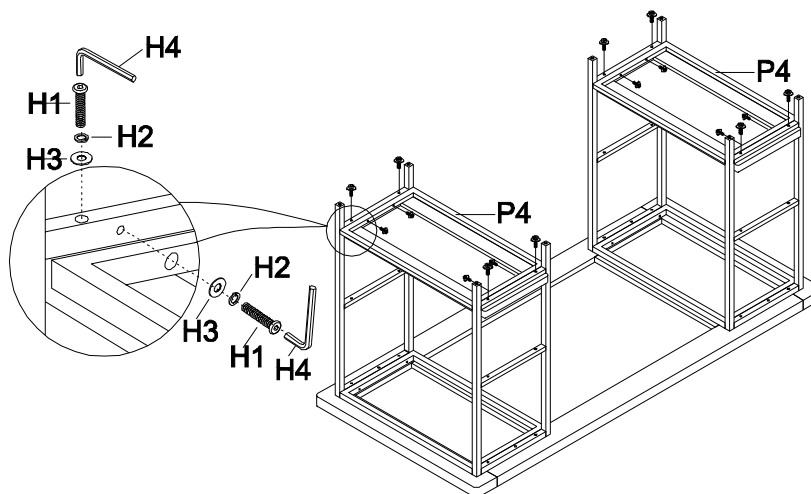
Step 2. Repeat step 1 attach the side frame (P2) to top panel (P1) as shown below.

- (H1) x 4 Bolts $\text{\O}1/4\text{"}\times1-1/4\text{"}$ 
- (H2) x 4 Spring Washers 1/4" 
- (H3) x 4 Flat Washers 1/4" 
- (H4) x 1 Allen Wrench 1/4" 



Step 3. Attach bottom shelves (P4) to each leg of side frame (P2), loosely attach all the bolts with Allen wrench (H4) as shown below.

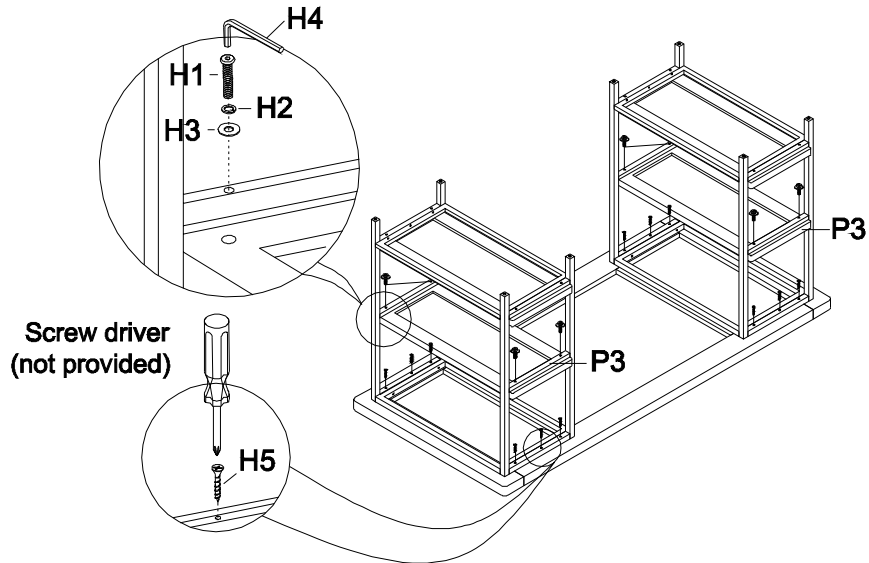
- (H1) x16 Bolts $\text{\O}1/4\text{"}\times1-1/4\text{"}$ 
- (H2) x16 Spring Washers 1/4" 
- (H3) x16 Flat Washers 1/4" 
- (H4) x 1 Allen Wrench 1/4" 



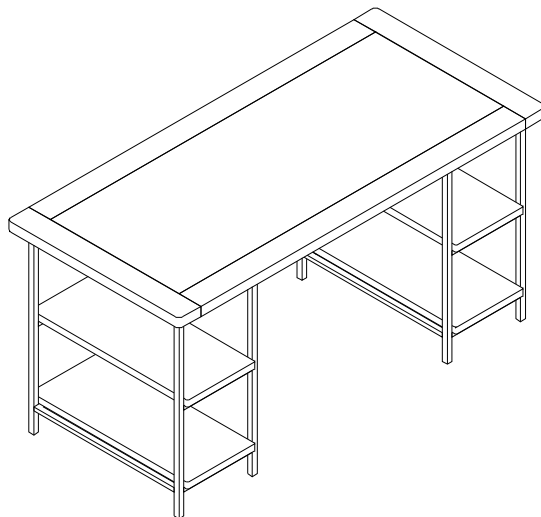
Step 3.

- 1) Attach middle shelves (P3) to the side frame (P2), tighten all the bolts with Allen wrench (H4) as shown below.
- 2) Securely tighten all bolts with Allen wrench (H4). Tighten all screws (H5) through the top rail of the side frame (P2) to the bottom of top panel (P1) with screw driver (not provided).

- (H1) x 8 Bolts $\text{Ø}1/4\text{''} \times 1-1/4\text{''}$ 
- (H2) x 8 Spring Washers 1/4" 
- (H3) x 8 Flat Washers 1/4" 
- (H4) x 1 Allen Wrench 1/4" 
- (H5) x 12 Screws 



Step 3. Turn the assembled table to an upright position. Assembly is complete.



ADDITIONAL NOTE ABOUT SAFETY: BOLTS MAY LOOSEN DURING NORMAL EVERYDAY USE. THEY SHOULD BE PERIODICALLY INSPECTED AND RE-TIGHTENED TO PREVENT DAMAGE OR INJURY. ALWAYS CHECK TO ENSURE THAT ALL HARDWARE IS KEPT TIGHTENED.

Thank you for you purchase