



ASSEMBLY INSTRUCTIONS

Description: Wheaton Counter Stool










Important safety instructions:

- Please read carefully all instructions before assembly.
- For your safety and ease, assembly by two or more adults is recommended.
- Keep instructions for future use.

Pre-assembly:

- Do not discard any content until assembly is complete to avoid accidentally discarding small parts or hardware.
- Take out all parts and hardware from box.

Parts List

Item	Description		QTY
P1	CHAIR BODY		1
P2	FRONT LEFT LEG		1
P3	FRONT RIGHT LEG		1
P4	BACK LEFT LEG		1
P5	BACK RIGHT LEG		1
P6	FRONT STRETCHER		1
P7	SIDE LEFT STRETCHER		1
P8	SIDE RIGHT STRETCHER		1
P9	BACK STRETCHER		1

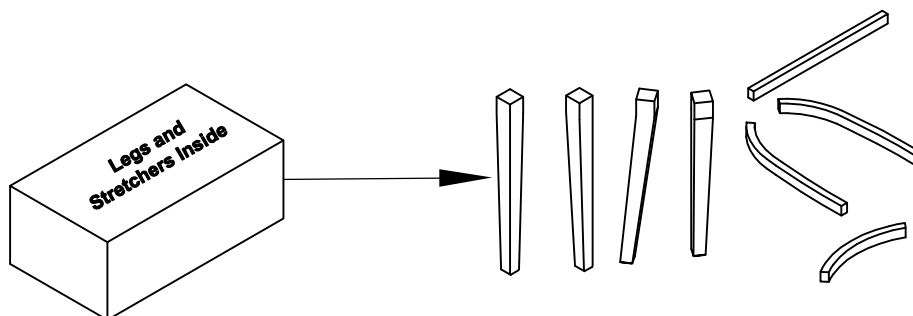
Hardware List

Item	Description		QTY
H1	Bolts 5/16"x 1 3/4"		8
H2	Lock Washers 5/16"		8
H3	Flat Washers 5/16"		8
H4	Allen Wrench		1
H5	SCREW Ø4*45mm		8

DISCLAIMER:

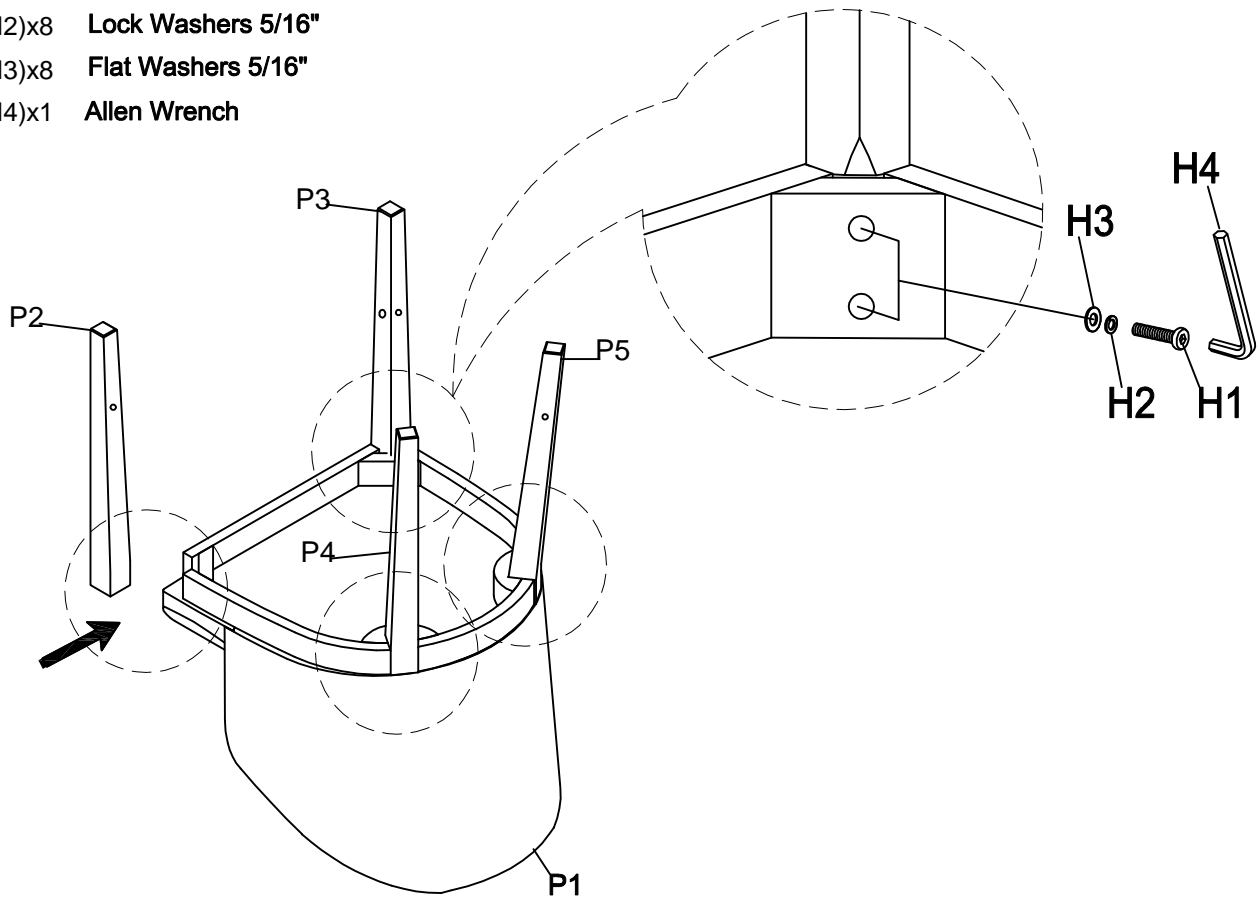
WHEN PROPERLY ASSEMBLED, THIS ITEM IS SAFE FOR INTENDED USE. SELLER IS NOT LIABLE FOR ANY DAMAGES RESULTING FROM ITEM BEING IMPROPERLY ASSEMBLED AFTER PURCHASE.

Step 1: Assemble the Chair on a flat and soft surface either on a carpet or cloth to prevent the finish from scratching. Open Leg box then take out the Legs (P2), (P3), (P4), (P5) and Stretchers (P6), (P7), (P8), (P9).



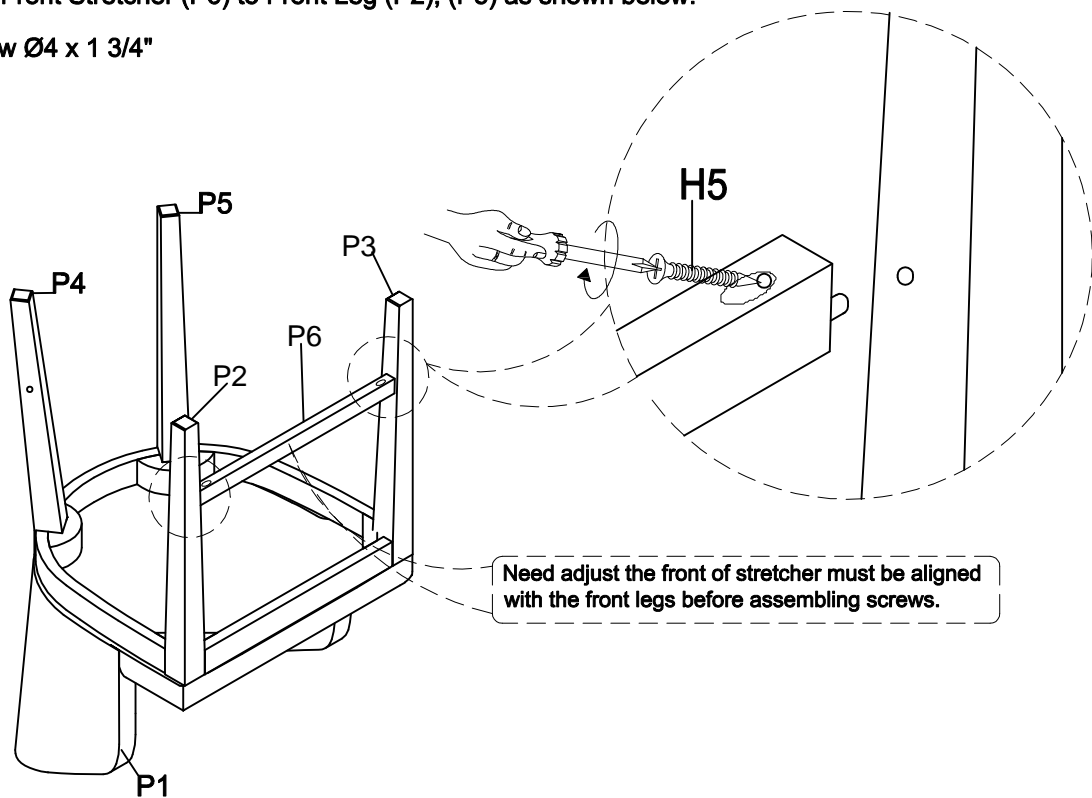
Step 2: Attach Legs (P2), (P3), (P4), (P5) to Chair Body (P1) as shown below. Do not tighten Bolts.

- (H1)x8 Bolts 5/16"x 1 3/4"
- (H2)x8 Lock Washers 5/16"
- (H3)x8 Flat Washers 5/16"
- (H4)x1 Allen Wrench



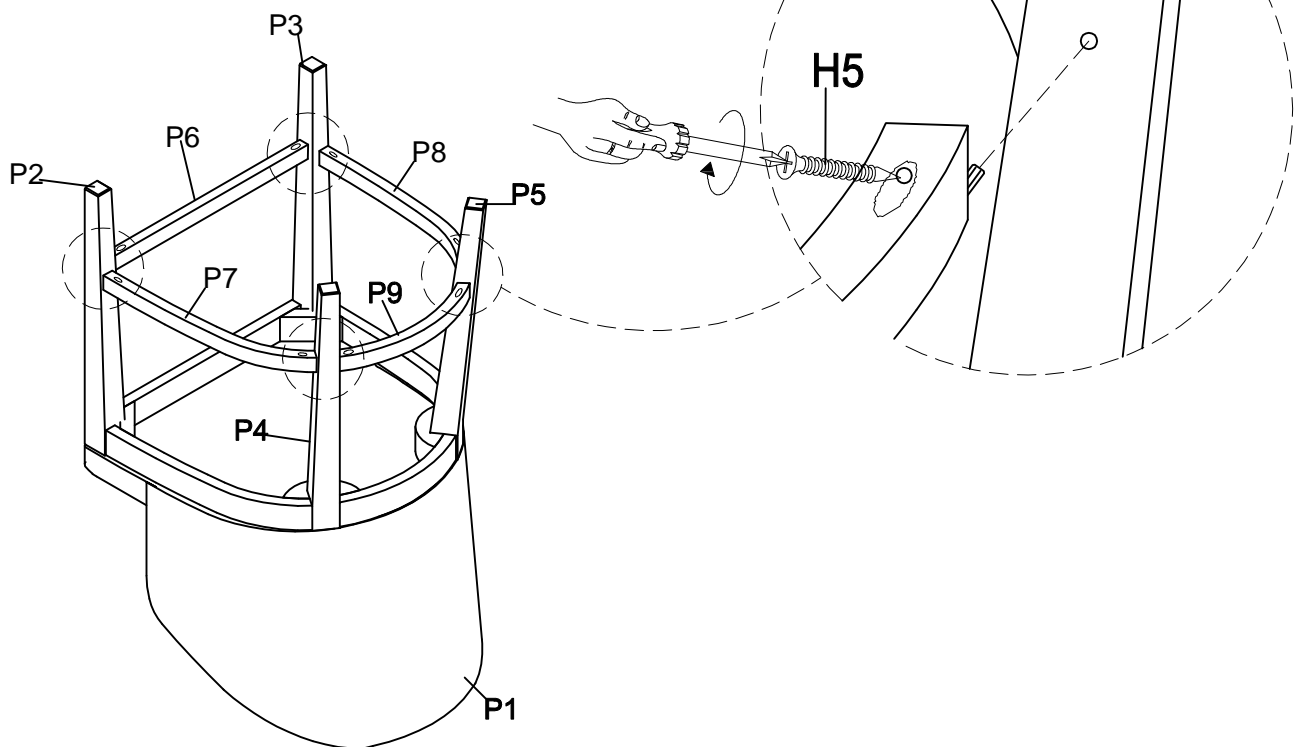
Step 3: Attach Front Stretcher (P6) to Front Leg (P2), (P3) as shown below.

- (H5)x2 Screw Ø4 x 1 3/4"

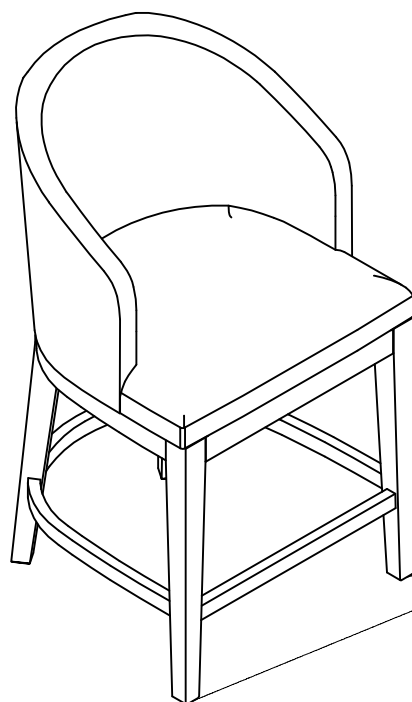


Step 4: Attach Side Stretcher (P7), (P8) and Back Stretcher (P9) to Front Leg (P2), (P3) and Back Leg (P4), (P5) as shown below. Tighten all Bolts.

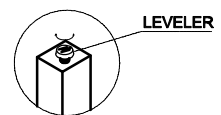
(H5)x6 Screw $\varnothing 4 \times 1 \frac{3}{4}$ "



Step 5: Turn the assembled chair to an upright position. Assembly is complete.



Note: Front legs can be adjusted with adjustable levelers.



ADDITIONAL NOTE ABOUT SAFETY: BOLTS MAY LOOSEN DURING NORMAL EVERYDAY USE. THEY SHOULD BE PERIODICALLY INSPECTED AND RE-TIGHTENED TO PREVENT DAMAGE OR INJURY. ALWAYS CHECK TO ENSURE THAT ALL HARDWARE IS KEPT TIGHTENED.

Thank you for your purchase