

ASSEMBLY INSTRUCTIONS

Description: EVAN COFFEE TABLE

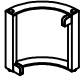


Important safety instructions:

- Please read carefully all instructions before assembly.
- For your safety and ease, assembly by two or more adults is recommended.
- Keep instructions for future use.





Pre-assembly:

- Do not discard any content until assembly is complete to avoid accidentally discarding small parts or hardware.
- Take out all parts and hardware from box.

Parts List

Item	Description		QTY
P1	LEGS		2
P2	STRETCHERS		2
P3	GLASS TOP		1

Hardware List

Item	Description		QTY
H1	Bolt 1/4" x 5/8"		8
H2	Lock Washers 1/4"		8
H3	Flat Washers 1/4"x5/8"		8
H4	Allen Wrench		1





DISCLAIMER:

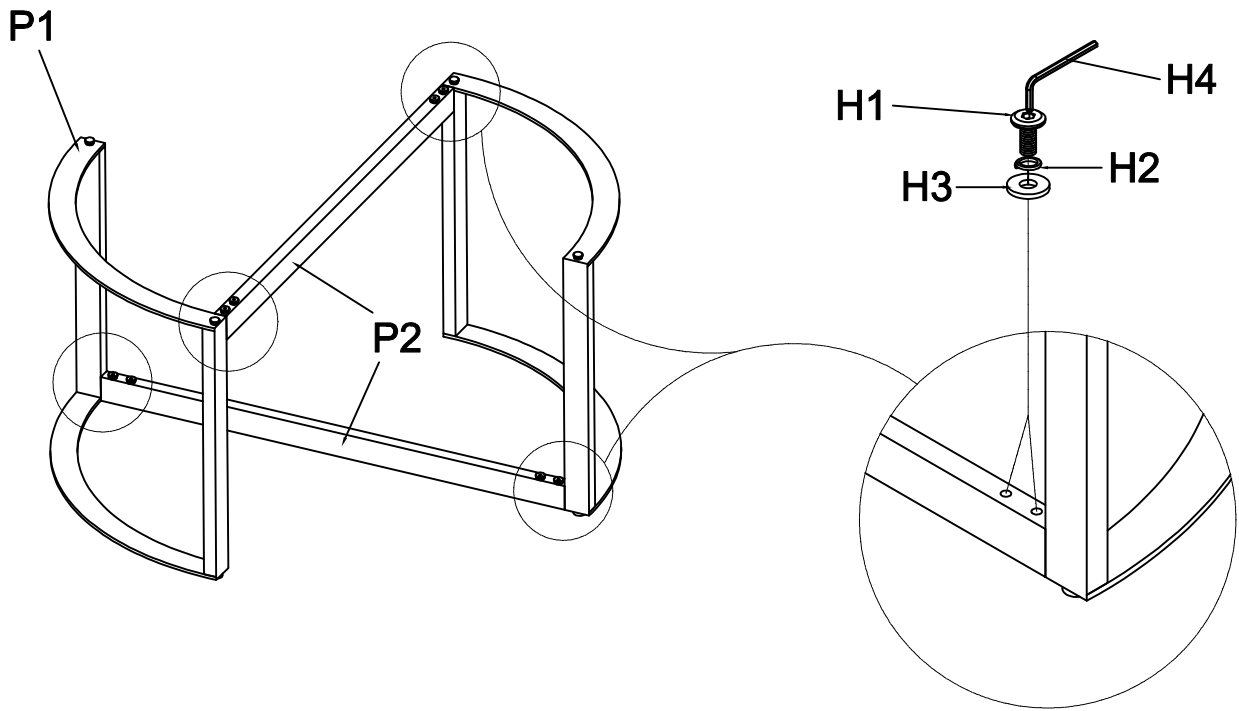
WHEN PROPERLY ASSEMBLED, THIS ITEM IS SAFE FOR INTENDED USE. SELLER IS NOT LIABLE FOR ANY DAMAGES RESULTING FROM ITEM BEING IMPROPERLY ASSEMBLED AFTER PURCHASE.

Assembly Procedures:

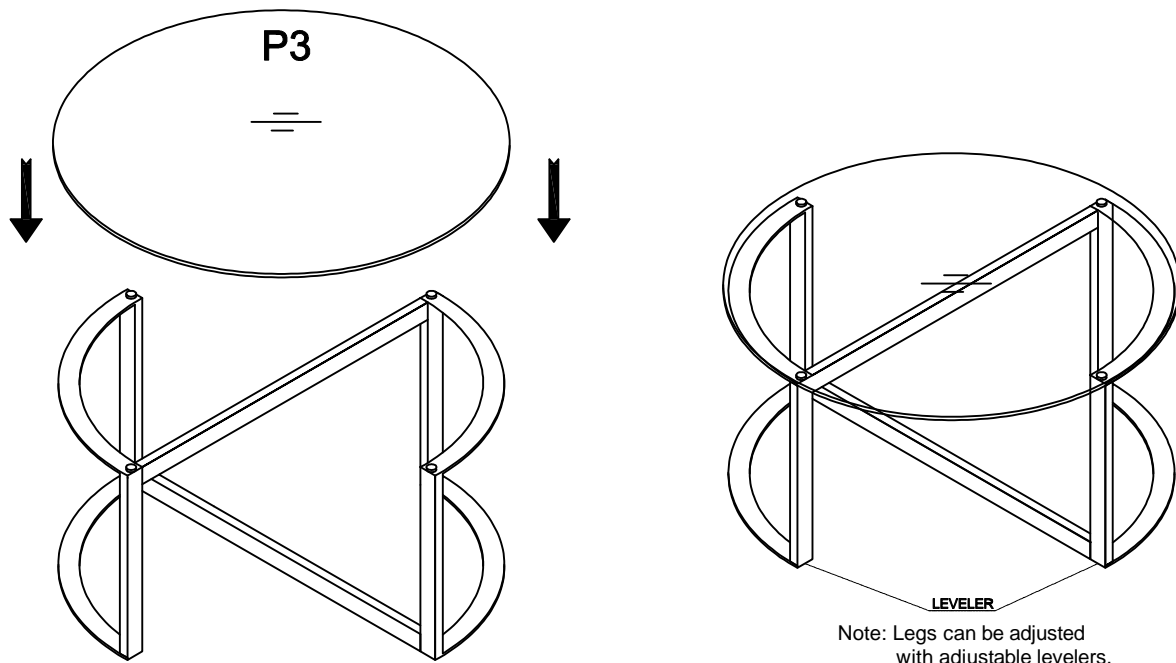
Step 1: Assemble the table on a flat, soft surface such as a carpet or cloth to prevent scratching the finish. Attach Legs (P1) to Stretchers (P2) as shown below:

***Note:** Make sure both legs have the protective rubber stoppers on the legs facing down (this will protect the glass top).

- (H1)x8 Bolts 1/4" x 5/8" 
- (H2)x8 Lock Washers Ø1/4" 
- (H3)x8 Flat Washers Ø1/4" 
- (H4)x1 Allen Wrench 



- Step 2: a. Turn the table over and place it upright on a level surface.
 b. Put the glass top (P3) concentric position with the leg frame.
 c. Assembly is complete.



ADDITIONAL NOTE ABOUT SAFETY: BOLTS MAY LOOSEN DURING NORMAL EVERYDAY USE. THEY SHOULD BE PERIODICALLY INSPECTED AND RE-TIGHTENED TO PREVENT DAMAGE OR INJURY. ALWAYS CHECK TO ENSURE THAT ALL HARDWARE IS KEPT TIGHTENED.

Thank you for your purchase