

ASSEMBLY INSTRUCTIONS

Description: **MONTEREY CONSOLE TABLE**

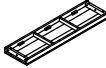

Important safety instructions:

- Please read carefully all instructions before assembly.
- For your safety and ease, assembly by two or more adults is recommended.
- Keep instructions for future use.






Pre-assembly:

- Do not discard any content until assembly is complete to avoid accidentally discarding small parts or hardware.
- Take out all parts and hardware from box.

Parts List

Item	Description	QTY
P1	Table Top 	1
P2	Legs 	2

Hardware List

Item	Description	QTY
H1	Bolts Ø5/16"x50mm 	6
H2	Lock Washers Ø5/16" 	6
H3	Flat Washers Ø5/16"x19mm 	6
H4	Allen Key 4mm 	1
H5	ANTI TIP KIT 	1 SET

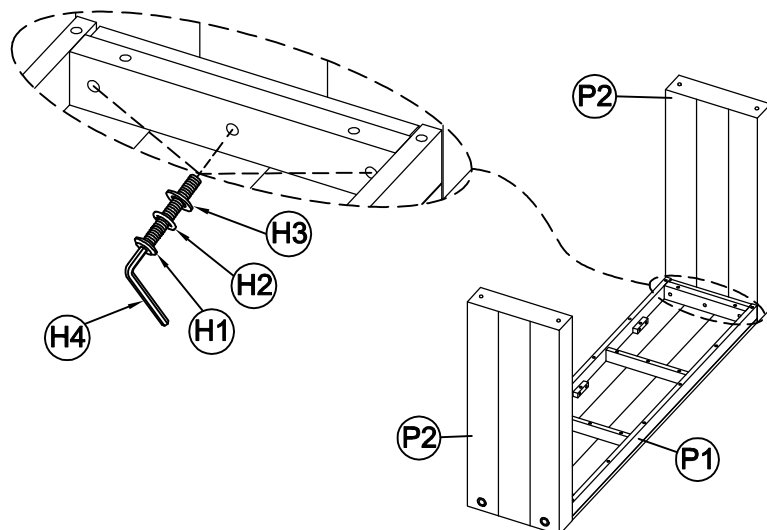
DISCLAIMER:

WHEN PROPERLY ASSEMBLED, THIS ITEM IS SAFE FOR INTENDED USE. SELLER IS NOT LIABLE FOR ANY DAMAGES RESULTING FROM ITEM BEING IMPROPERLY ASSEMBLED AFTER PURCHASE.

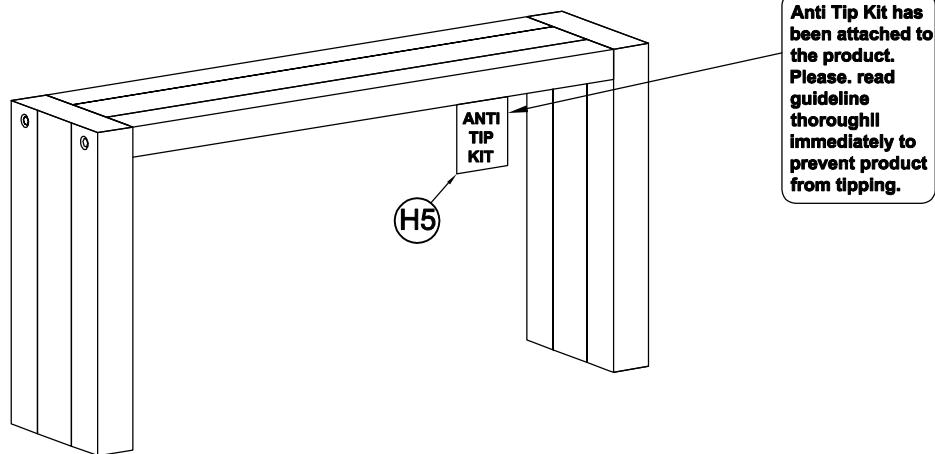
Assembly Procedures:

Step1: Assemble the console table on a flat, soft surface such as a carpet or cloth to prevent scratching the finish. Attach the legs (P2) and table top (P1) as shown below.

- (H1)x6 Bolts Ø5/16" x 50mm 
- (H2)x6 Lock Washers Ø5/16" 
- (H3)x6 Flat Washers Ø5/16"x19mm 
- (H4)x1 Allen Key 4mm 



Step 2: Turn the assembled table top to an upright position. Assembly is completed.



Warning:

Serious or fatal injuries can occur from furniture tip-over. To help prevent furniture tip-over.

Use provided mounting hardware to secure furniture to the wall. This may reduce but not eliminate the risk of furniture tip- over.

Do not allow children to climb on furniture.

Keep remote controls, toys, and other items that might attract children off of this product.

Unless specifically designed to accommodate, do not set televisions or other heavy objects on top of this product.

ADDITIONAL NOTE ABOUT SAFETY: BOLTS MAY LOOSEN DURING NORMAL EVERYDAY USE. THEY SHOULD BE PERIODICALLY INSPECTED AND RE-TIGHTENED TO PREVENT DAMAGE OR INJURY. ALWAYS CHECK TO ENSURE THAT ALL HARDWARE IS KEPT TIGHTENED.

Thank you for your purchase