






Important safety instructions:

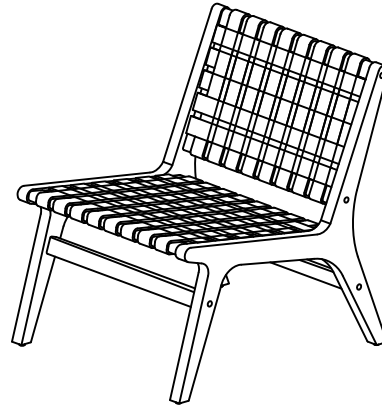
- Please read carefully all instructions before assembly.
- For your safety and ease, assembly by two or more adults is recommended.
- Keep instructions for future use.

Pre-assembly:







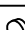
- Do not discard any content until assembly is complete to avoid accidentally discarding small parts or hardware.
- Take out all parts and hardware from box.

Parts List

Item	Description	QTY
P1	Left Side Frame 	1
P2	Right Side Frame 	1
P3	Back Panel 	1
P4	Seat Panel 	1
P5	Stretchers 	2



Hardware List





Item	Description	QTY
H1	Long Bolts $\varnothing 1/4 \times 2-1/2$ " 	4
H2	Short Bolts $\varnothing 1/4 \times 1-1/2$ " 	8
H3	Lock Washers $\varnothing 1/4$ " 	12
H4	Big Flat Washers $\varnothing 1/4 \times 19$ mm 	4
H5	Small Flat Washers $\varnothing 1/4 \times 12$ mm 	8
H6	Allen Wrench $1/4$ " 	1
H7	Wooden Plugs 	8

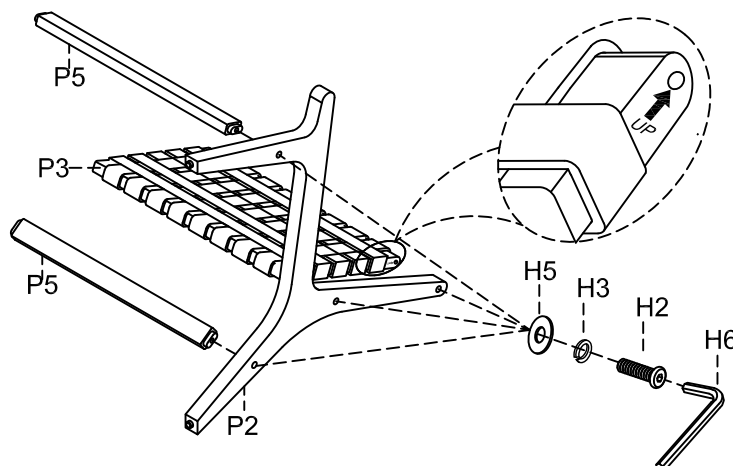
DISCLAIMER:

WHEN PROPERLY ASSEMBLED, THIS ITEM IS SAFE FOR INTENDED USE. SELLER IS NOT LIABLE FOR ANY DAMAGES RESULTING FROM ITEM BEING IMPROPERLY ASSEMBLED AFTER PURCHASE.

Assembly Procedures:

Step 1: Assemble the chair on a flat and soft surface either on a carpet or cloth to prevent the finish from scratching. Attach the back panel (P3) and stretchers (P5) to the right side frame (P2) as shown.

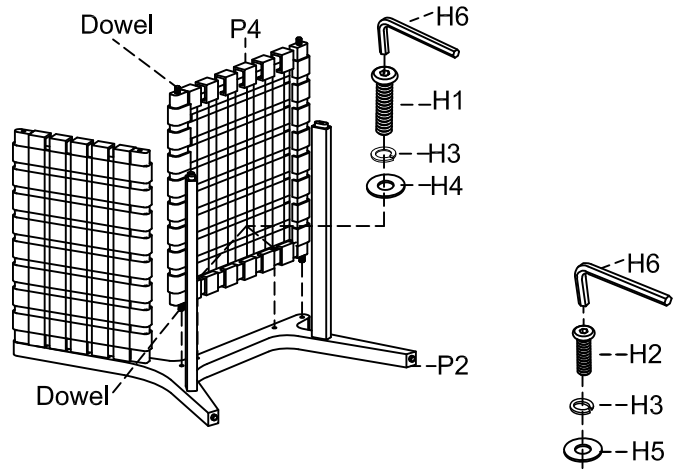
- (H2)x4 Short Bolts $\varnothing 1/4 \times 1-1/2$ "  (H5)x4 Small Flat Washers $\varnothing 1/4 \times 12$ mm 
 (H3)x4 Lock Washers $\varnothing 1/4$ "  (H6)x1 Allen Wrench $1/4$ " 



Caution: Make sure the arrow label on the side of chair back panel is facing up.

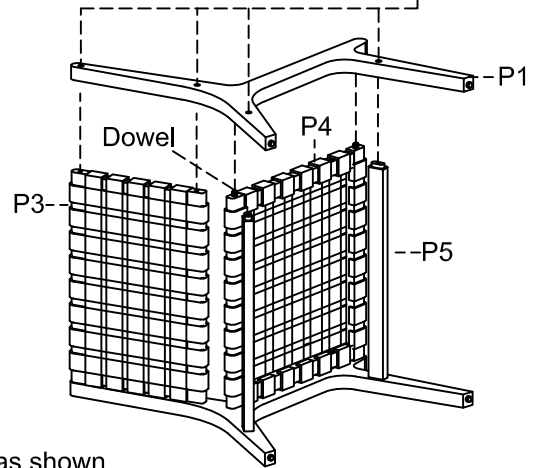
Step 2. Attach the seat panel (P4) to assembled right side frame (P2) as shown.

- (H1)x2 Long Bolts $\text{\O}1/4'' \times 2-1/2''$
- (H3)x2 Lock Washers $\text{\O}1/4''$
- (H4)x2 Big Flat Washers $\text{\O}1/4'' \times 19\text{mm}$
- (H6)x1 Allen Wrench $1/4''$



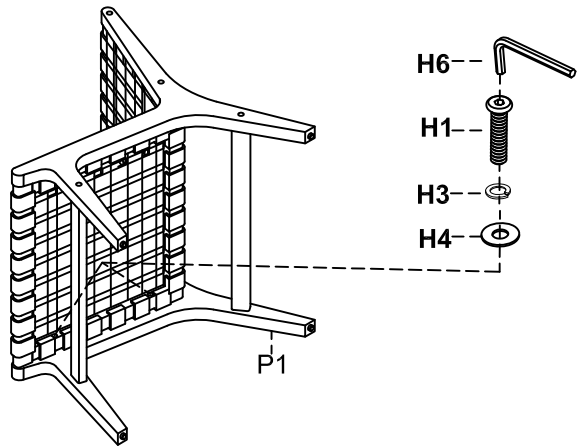
Step 3. Attach the left side frame (P1) to assembled back panel (P3) and seat panel (P4) and stretchers (P5) as shown.

- (H2)x4 Short Bolts $\text{\O}1/4'' \times 1-1/2''$
- (H3)x4 Lock Washers $\text{\O}1/4''$
- (H5)x4 Small Flat Washers $\text{\O}1/4'' \times 12\text{mm}$
- (H6)x1 Allen Wrench $1/4''$



Step 4. Attach the seat panel (P4) to assembled left side frame (P1) as shown.

- (H1)x2 Long Bolts $\text{\O}1/4'' \times 2-1/2''$
- (H3)x2 Lock Washers $\text{\O}1/4''$
- (H4)x2 Big Flat Washers $\text{\O}1/4'' \times 19\text{mm}$
- (H6)x1 Allen Wrench $1/4''$

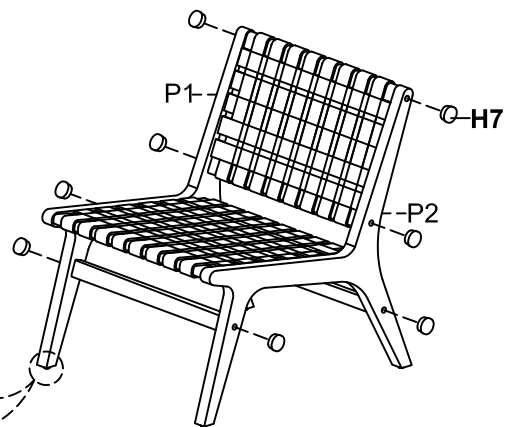


Step 5. Turn the assembled chair to an upright position, make sure the chair is level and securely tighten all bolts with Allen wrench (H6), then attach the wooden plugs (H7) to the left side frame (P1) and right side frame (P2) as shown. Assembly is complete.

Leveler adjustment: Levelers are pre-installed on the front legs and adjust as needed to make sure the chair is leveled.

Failure to follow these instructions may cause the bolts to misalign during assembly.

- (H7)x8 Wooden Plugs 



ADDITIONAL NOTE ABOUT SAFETY: BOLTS MAY LOOSEN DURING NORMAL EVERYDAY USE. THEY SHOULD BE PERIODICALLY INSPECTED AND RE-TIGHTENED TO PREVENT DAMAGE OR INJURY. ALWAYS CHECK TO ENSURE THAT ALL HARDWARE IS KEPT TIGHTENED.

Thank you for your purchase