


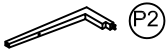

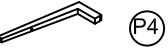


Important safety instructions:

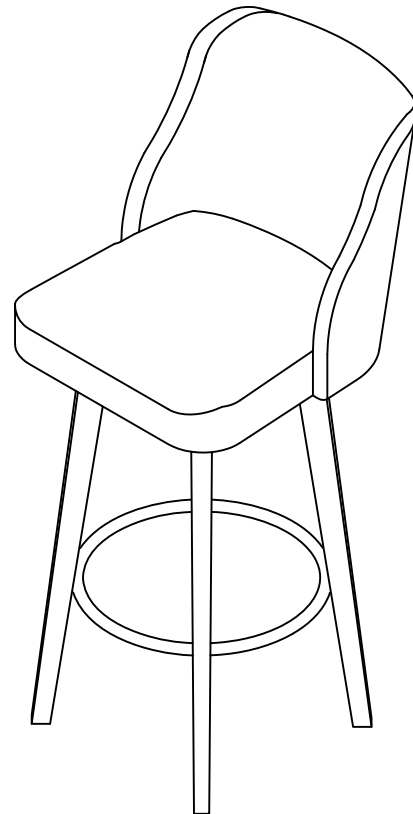
- Please read carefully all instructions before assembly.
- For your safety and ease, assembly by two or more adults is recommended.
- Keep instructions for future use.

Pre-assembly:






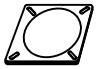
- Do not discard any content until assembly is complete to avoid accidentally discarding small parts or hardware.
- Take out all parts and hardware from box.

Parts List

Item	Description	QTY
P1	Chair Top 	1
P2	Leg-1 	1
P3	Leg-2 	1
P4	Leg-3 	1
P5	Leg-4 	1
P6	Metal Stretcher 	1



Hardware List

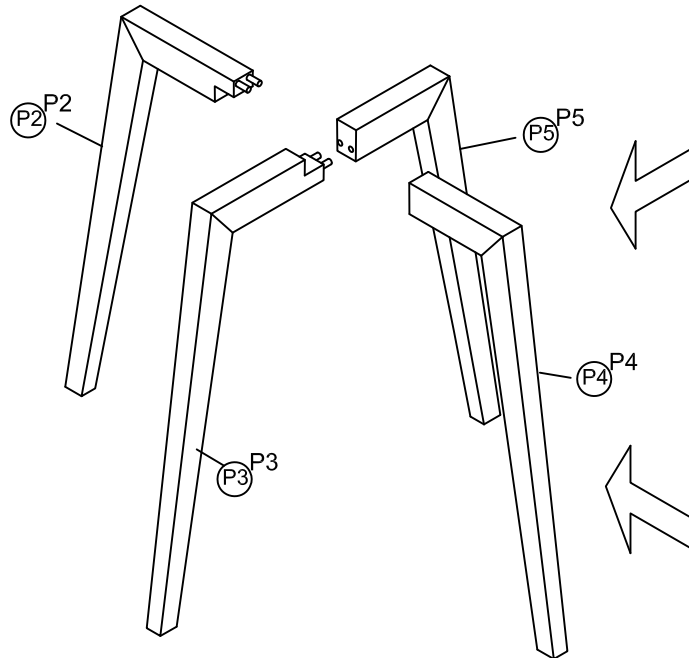
Item	Description	QTY
H1	Short Bolts Ø1/4"*1"L 	8
H2	Long Bolts Ø1/4"*1-1/4"L 	4
H3	Lock Washers 1/4" 	8
H4	Flat Washers 1/4" 	8
H5	Allen Wrench 1/4" 	1
H6	Swivel 360° 	1

DISCLAIMER:

WHEN PROPERLY ASSEMBLED, THIS ITEM IS SAFE FOR INTENDED USE. SELLER IS NOT LIABLE FOR ANY DAMAGES RESULTING FROM ITEM BEING IMPROPERLY ASSEMBLED AFTER PURCHASE.

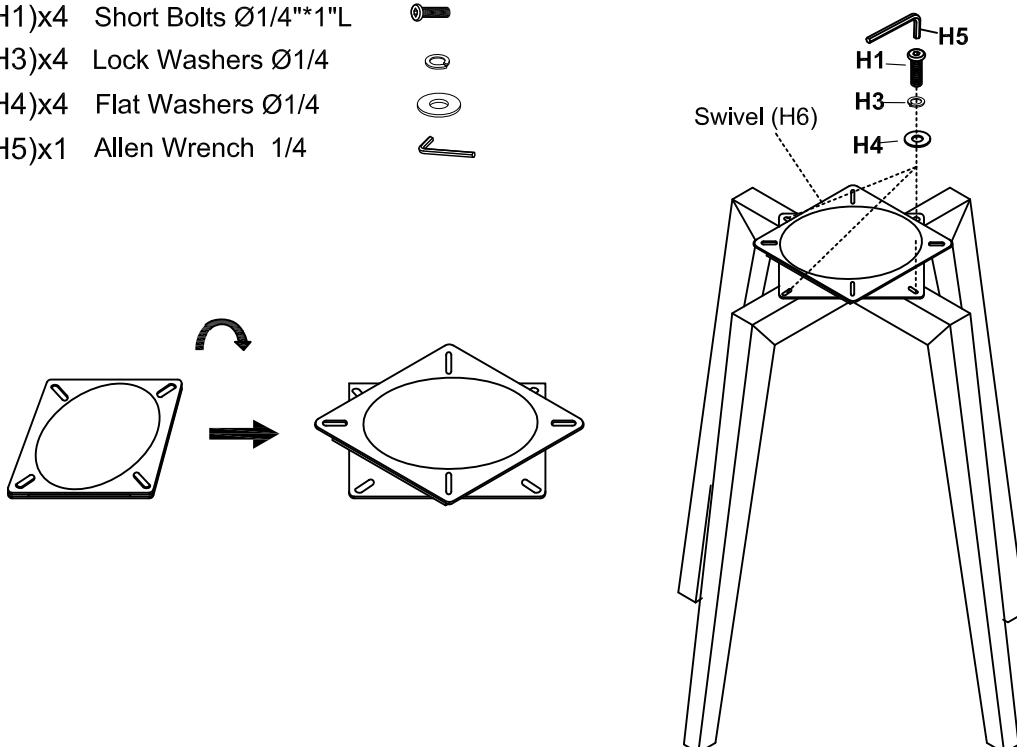
Assembly Procedures:

Step 1. Assemble the stool on a flat, soft surface such as a carpet or cloth to prevent scratching the finish. Insert legs (P2, P3) with dowel to the legs (P4, P5) according to the labels "P2", "P3", "P4", "P5" each leg (P2, P3, P4, P5) as shown below.





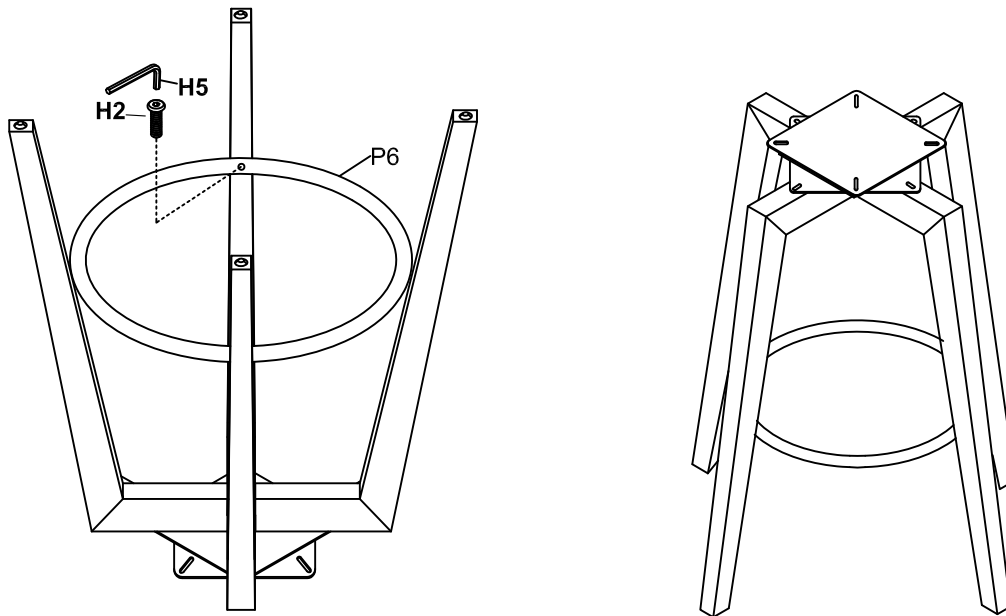
Step 2. Take the swivel out from the box, then turn the swivel to the position as shown below. **Loosely** attach the swivel (H6) to the top of assembled legs using short bolts (H1), lock washers (H3) and flat washers (H4) as shown below.

- (H1)x4 Short Bolts $\text{\O}1/4 \times 1 \text{''}$ L 
- (H3)x4 Lock Washers $\text{\O}1/4$ 
- (H4)x4 Flat Washers $\text{\O}1/4$ 
- (H5)x1 Allen Wrench $1/4$ 






Step 3. Loosely attach metal stretcher (P6) to each leg using long bolts (H2) as shown below. Turn the assembled base to an upright position, make sure the base is level and securely tighten all bolts with Allen wrench (H5).

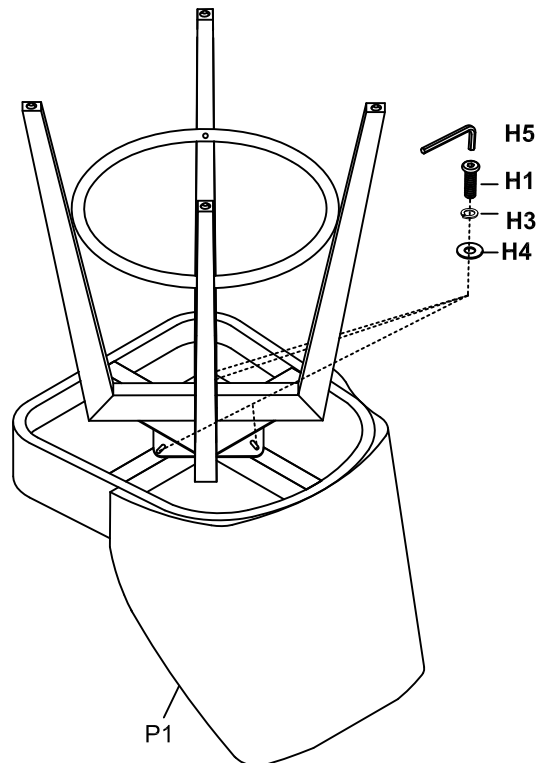
- (H2)x4 Long Bolts $\text{Ø}1/4 \times 1-1/4 \text{ L}$ 
 (H5)x1 Allen Wrench 1/4 



Step 4.

- 1) **Loosely** attach the assembled base to chair top (P1) as shown below, using short bolts (H1), lock washers (H3) and flat washers (H4). Securely tighten the bolts with Allen wrench (H5).
- 2) Turn the assembled stool to an upright position. Assembly is complete. **Failure to follow these instructions may cause the bolts to misalign during assembly.**

- (H1)x4 Short Bolts $\text{Ø}1/4 \times 1 \text{ L}$ 
 (H3)x4 Lock Washers $\text{Ø}1/4$ 
 (H4)x4 Flat Washers $\text{Ø}1/4$ 
 (H5)x1 Allen Wrench 1/4 



ADDITIONAL NOTE ABOUT SAFETY: BOLTS MAY LOOSEN DURING NORMAL EVERYDAY USE. THEY SHOULD BE PERIODICALLY INSPECTED AND RE-TIGHTENED TO PREVENT DAMAGE OR INJURY. ALWAYS CHECK TO ENSURE THAT ALL HARDWARE IS KEPT TIGHTENED.

Thank you for your purchase