

ASSEMBLY INSTRUCTIONS

Description: Boomerang Bench

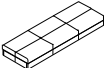
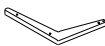
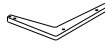


Important safety instructions:

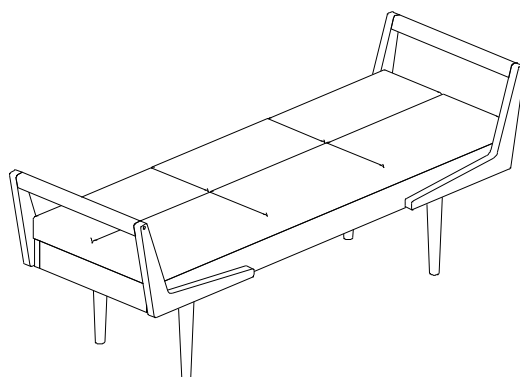
- Please read carefully all instructions before assembly.
- For your safety and ease, assembly by two or more adults is recommended.
- Keep instructions for future use.

Pre-assembly:










- Do not discard any content until assembly is complete to avoid accidentally discarding small parts or hardware.
- Take out all parts and hardware from box.

Parts List

Item	Description	QTY
P1	Seat Cushion 	1
P2	Arm Support A  P2	2
P3	Arm Support B  P3	2
P4	Arms 	2
P5	Legs 	4



Hardware List





Item	Description	QTY
H1	Big Bolts Ø5/16"x1-1/2" 	8
H2	Lock Washers 5/16" 	8
H3	Flat Washers 5/16*3/4" 	8
H4	Allen Wrench 5/16" 	1
H5	Small Bolts Ø1/4"x1-1/2" 	4
H6	Lock Washers 1/4" 	4
H7	Flat Washers 1/4*5/8" 	4
H8	Allen Wrench 1/4" 	1
H9	Wooden Plugs 	4

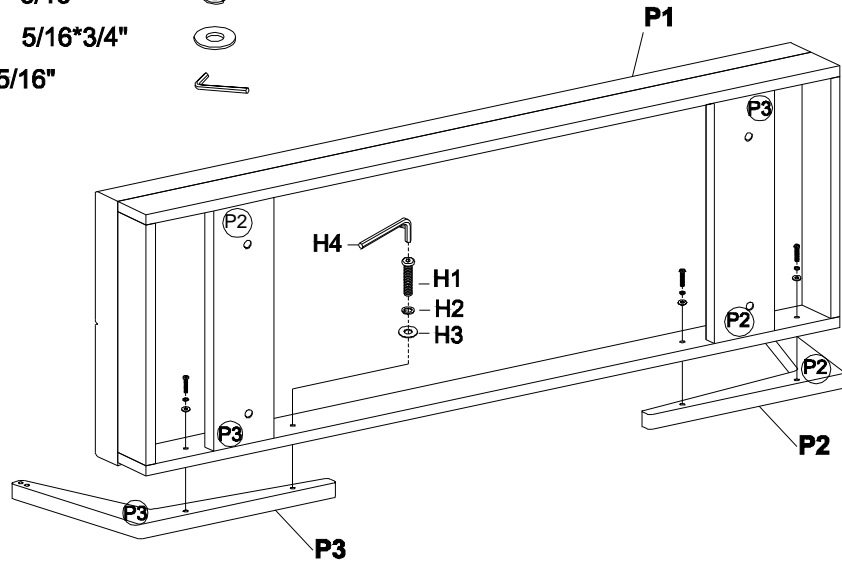
DISCLAIMER:

WHEN PROPERLY ASSEMBLED, THIS ITEM IS SAFE FOR INTENDED USE. SELLER IS NOT LIABLE FOR ANY DAMAGES RESULTING FROM ITEM BEING IMPROPERLY ASSEMBLED AFTER PURCHASE.

Assembly Procedures:









Step 1. Assemble the bench on a flat, soft surface such as a carpet or cloth to prevent scratching the finish. Attach one of Arm Support A (P2) and Arm Support B (P3) to seat cushion (P1) according to the labels "A" & "B" on the Arm Supports (P2&P3) and bottom of seat cushion as shown below. Securely tighten the bolts with Allen wrench (H4).

- (H1)x4 Bolts $\text{Ø}5/16 \times 1-1/2$ " 
- (H2)x4 Lock Washers $5/16$ " 
- (H3)x4 Flat Washers $5/16 \times 3/4$ " 
- (H4)x1 Allen Wrench $5/16$ " 

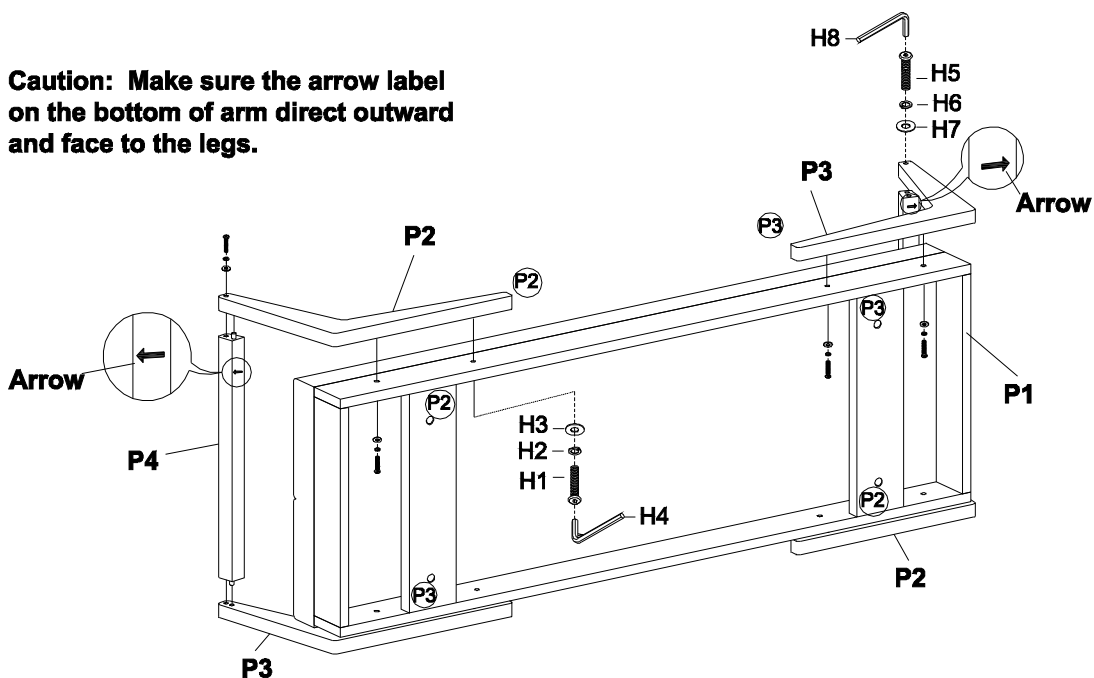


Step 2.

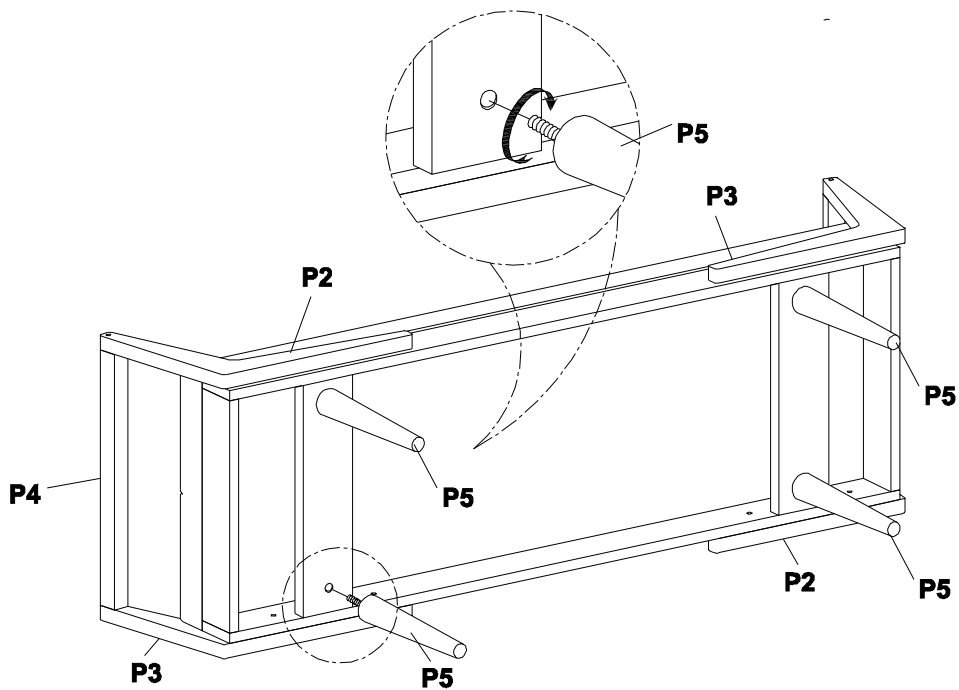
1) Loosely insert the dowel on the end of Arms (P4) to the assembled Arm Support A/B (P2/P3) as shown below.
 2) Attach other Arm Support A/B (P2/P3) to arms (P4) and seat cushion (P1) according to the labels "A" & "B" on the Arm Support A/B (P2/P3) and the bottom of seat cushion (P1) as shown below. Securely tighten the bolts with Allen wrench (H4 & H8).

- | | |
|--|---|
| (H1)x4 Bolts $\text{Ø}5/16 \times 1-1/2$ "  | (H5)x2 Bolts $\text{Ø}1/4 \times 1-1/2$ "  |
| (H2)x4 Lock Washers $5/16$ "  | (H6)x2 Lock Washers $1/4$ "  |
| (H3)x4 Flat Washers $5/16 \times 3/4$ "  | (H7)x2 Flat Washers $1/4 \times 5/8$ "  |
| (H4)x1 Allen Wrench $5/16$ "  | (H8)x1 Allen Wrench $1/4$ "  |

Caution: Make sure the arrow label on the bottom of arm direct outward and face to the legs.




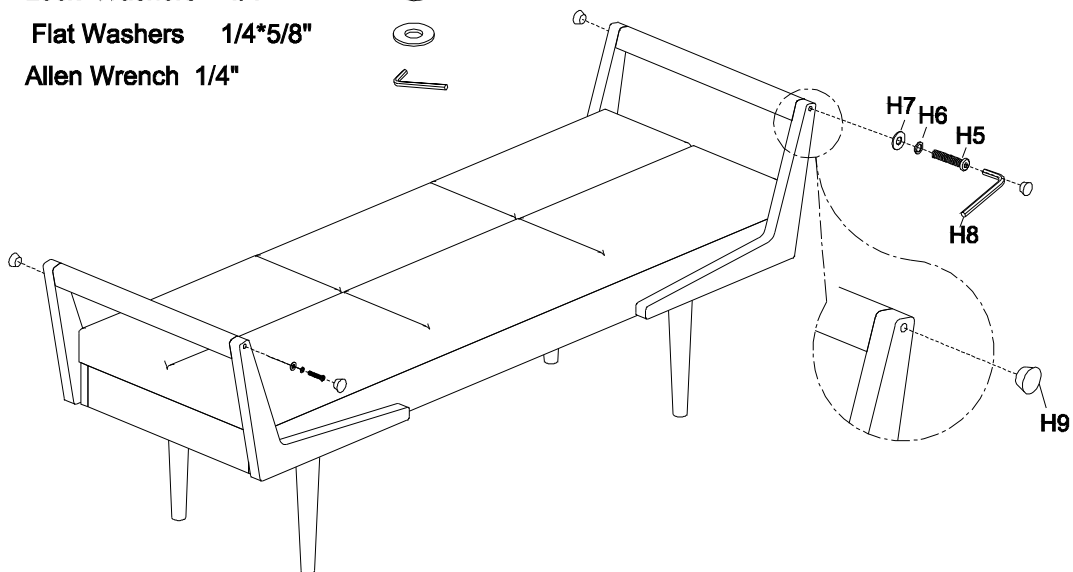
Step 3. Attach each leg (P5) to the bottom of Seat Cushion (P1).



Step 4.

- 1) Turn the assembled bench to an upright position. Attach the other side arm supports A/B (P2/P3) to the Arms (P4). Securely tighten all bolts.
- 2) Attach wooden plugs (H9) to each bolt hole, tighten with rubber hammer to knock the wooden plug till its tighten. Note: use a soft cloth between the wooden plug and hammer to prevent damage to wooden plug finish.
- 3) Assembly is complete. **Failure to follow these instructions may cause the bolts to misalign during assembly.**

- | | | |
|--------|------------------------------|---|
| (H5)x2 | Bolts Ø1/4"x1-1/2" |  |
| (H6)x2 | Lock Washers 1/4" |  |
| (H7)x2 | Flat Washers 1/4*5/8" |  |
| (H8)x1 | Allen Wrench 1/4" |  |



ADDITIONAL NOTE ABOUT SAFETY: BOLTS MAY LOOSEN DURING NORMAL EVERYDAY USE. THEY SHOULD BE PERIODICALLY INSPECTED AND RE-TIGHTENED TO PREVENT DAMAGE OR INJURY. ALWAYS CHECK TO ENSURE THAT ALL HARDWARE IS KEPT TIGHTENED.

Thank you for your purchase