



ASSEMBLY INSTRUCTIONS

Description: TABITHA DESK

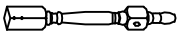
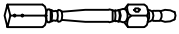



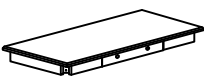
Important safety instructions:

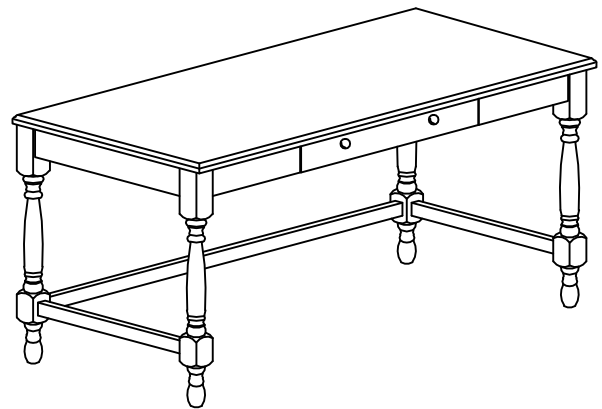
- Please read carefully all instructions before assembly.
- For your safety and ease, assembly by two or more adults is recommended.
- Keep instructions for future use.

Pre-assembly:





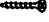
- Do not discard any content until assembly is complete to avoid accidentally discarding small parts or hardware.
- Take out all parts and hardware from box.

Parts List

Item	Description	QTY
P1	Front Leg - R 	1
P2	Front Leg - L 	1
P3	Back Leg 	2
P4	Stretchers - Long 	1
P5	Stretchers - Short 	2
P6	Desk Top 	1



Hardware List

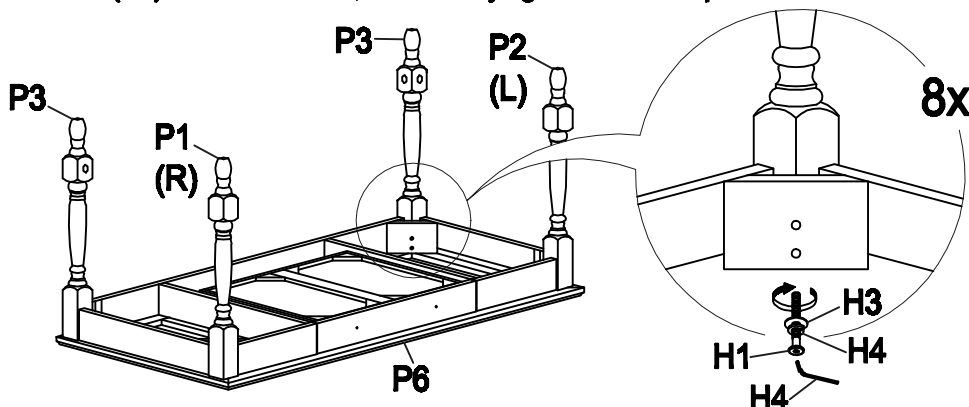
Item	Description	QTY
H1	Bolts $\phi 1/4" \times 2"$ 	8
H2	Lock Washers 1/4" 	8
H3	Flat Washers 1/4" 	8
H4	Allen Wrench 1/4" 	1
H5	Csk Screw M4 x 32mm 	6

DISCLAIMER:

WHEN PROPERLY ASSEMBLED, THIS ITEM IS SAFE FOR INTENDED USE. SELLER IS NOT LIABLE FOR ANY DAMAGES RESULTING FROM ITEM BEING IMPROPERLY ASSEMBLED AFTER PURCHASE.

Assembly Procedures:

Step 1. Assemble the Desk on a flat, soft surface such as a carpet or cloth to prevent scratching the finish. Attach Legs (P1/P2/P3) to the Desk top (P6) using Bolt (H1), Spring Washer (H2), and Flat Washer (H3) secure with allen wrench (H4) as shown below, but not fully tighten at this step.



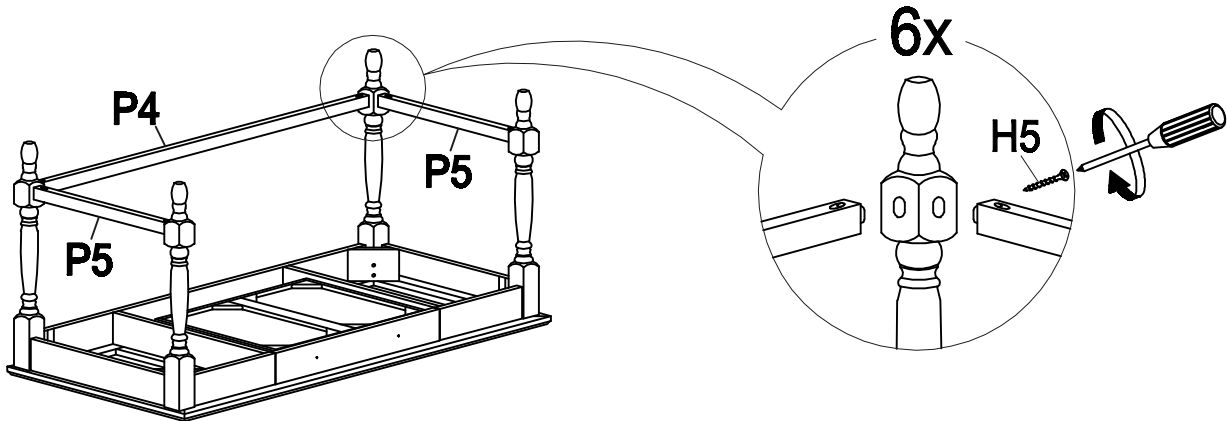


ASSEMBLY INSTRUCTIONS

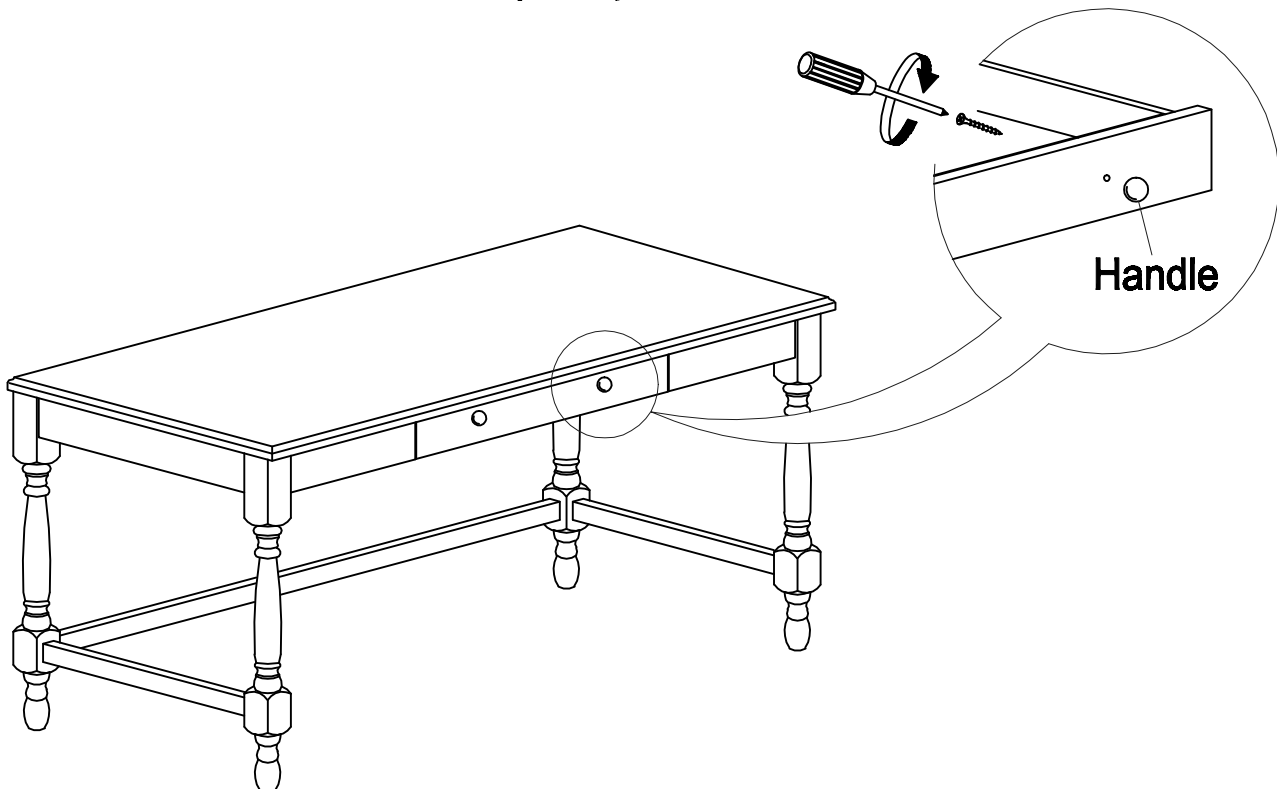
Description: TABITHA DESK

Step 2: Attach Stretcher (P4/P5) to the legs (P1/P2/P3) using csk screw (H5) with screw driver as shown below.

Step 3: Secure tighten all bolts by allen wrench (H4), but do not over tighten the bolts.



Step 4: Turn the assembled desk to an upright position, remove the handle from inner drawer, and attach it on outside of the drawer with screw driver. Assembly is complete.



ADDITIONAL NOTE ABOUT SAFETY: BOLTS MAY LOOSEN DURING NORMAL EVERYDAY USE. THEY SHOULD BE PERIODICALLY INSPECTED AND RE-TIGHTENED TO PREVENT DAMAGE OR INJURY. ALWAYS CHECK TO ENSURE THAT ALL HARDWARE IS KEPT TIGHTENED.

Thank you for your purchase