

# ASSEMBLY INSTRUCTIONS

Description: LANCASTER WOODEN GATHERING TABLE





**Important safety instructions:**

- Please read carefully all instructions before assembly.
- For your safety and ease, assembly by two or more adults is recommended.
- Keep instructions for future use.






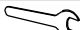

**Pre-assembly:**

- Do not discard any content until assembly is complete to avoid accidentally discarding small parts or hardware.
- Take out all parts and hardware from box.

**Parts List**

Item	Description	QTY
P1	Table top 	1
P2	Leg Frame 	2
P3	Stretcher Frame 	1
P4	Gathering Height Connector 	2

**Hardware List**




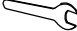
Item	Description	QTY
H1	Bolts Ø5/16"x30mm 	8
H2	Hex Bolts Ø5/16"x80mm 	4
H3	Bolts Ø5/16"x85mm 	4
H4	Lock Washers Ø5/16" 	16
H5	Flat Washers Ø5/16"x19mm 	16
H6	Wrench 12mm 	1
H7	Allen Key 4mm 	1

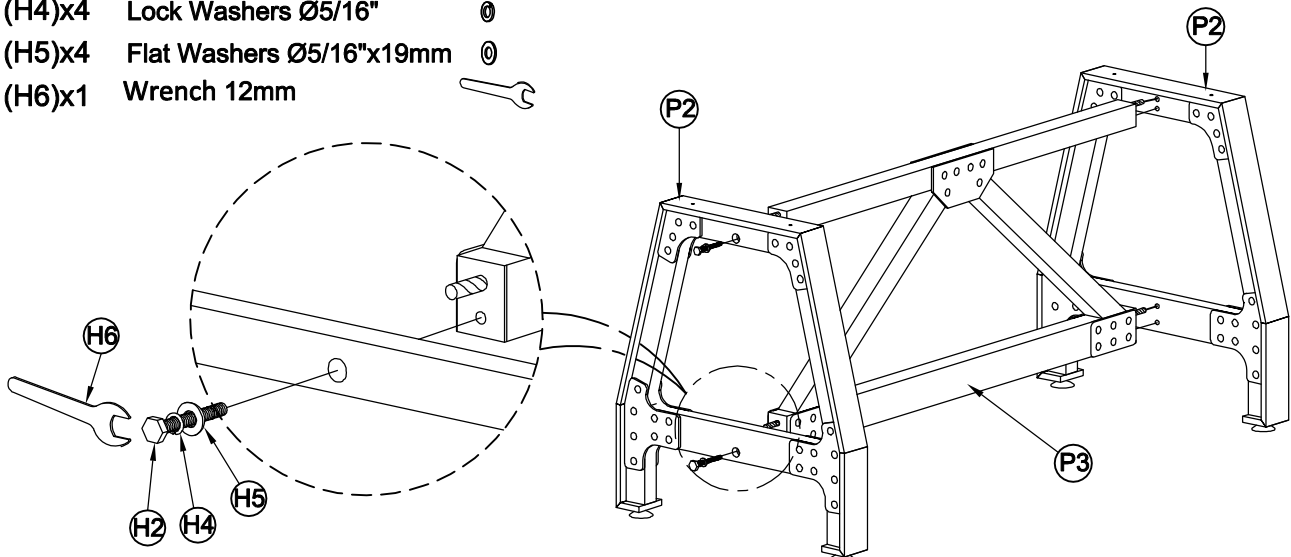
**DISCLAIMER:**

WHEN PROPERLY ASSEMBLED, THIS ITEM IS SAFE FOR INTENDED USE. SELLER IS NOT LIABLE FOR ANY DAMAGES RESULTING FROM ITEM BEING IMPROPERLY ASSEMBLED AFTER PURCHASE.





**Assembly Procedures: Please follow step1~2 for Dining table Assembly.**

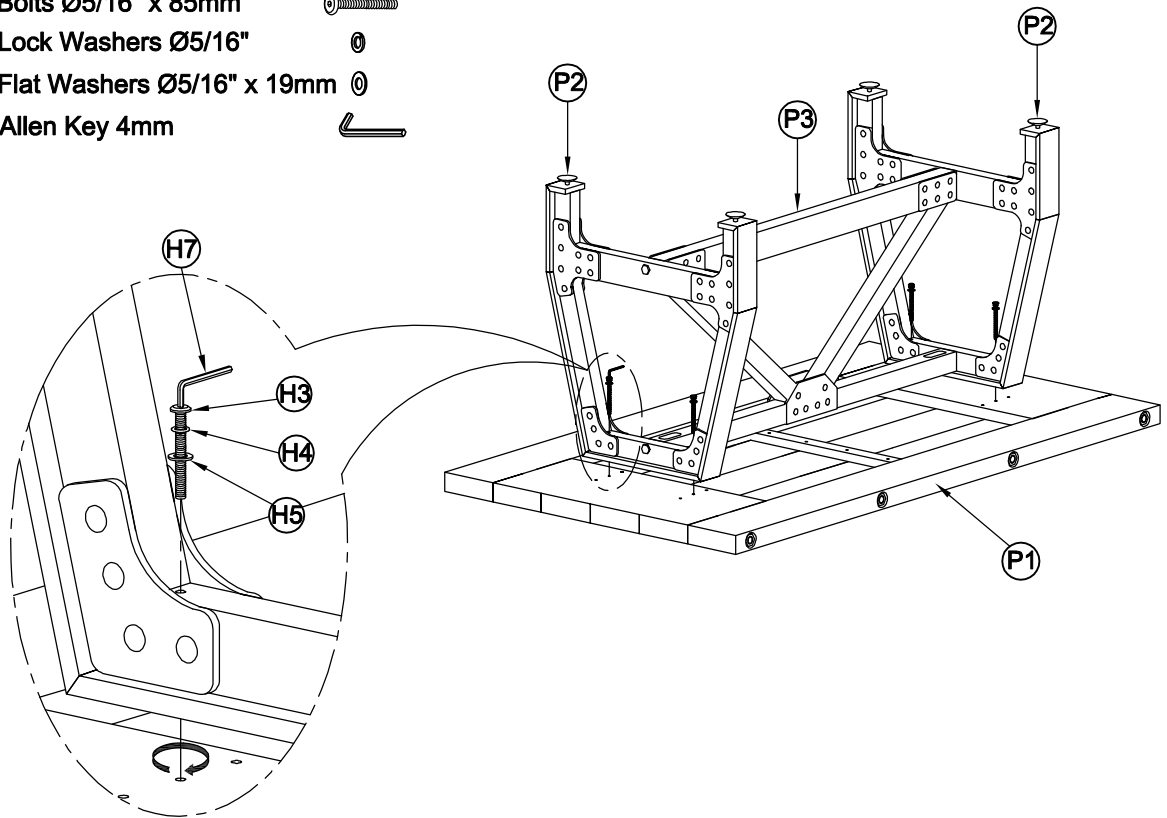
Step1: Assemble the table on a flat, soft surface such as a carpet or cloth to prevent scratching the finish. Attach the Leg Frame (P2) to Stretcher Frame (P3) as shown below.

- (H2)x4 Hex Bolts Ø5/16"x80mm 
- (H4)x4 Lock Washers Ø5/16" 
- (H5)x4 Flat Washers Ø5/16"x19mm 
- (H6)x1 Wrench 12mm 



**Step 2: Attach the assembled leg frame to Table Top (P1) as shown below for Dining Table**

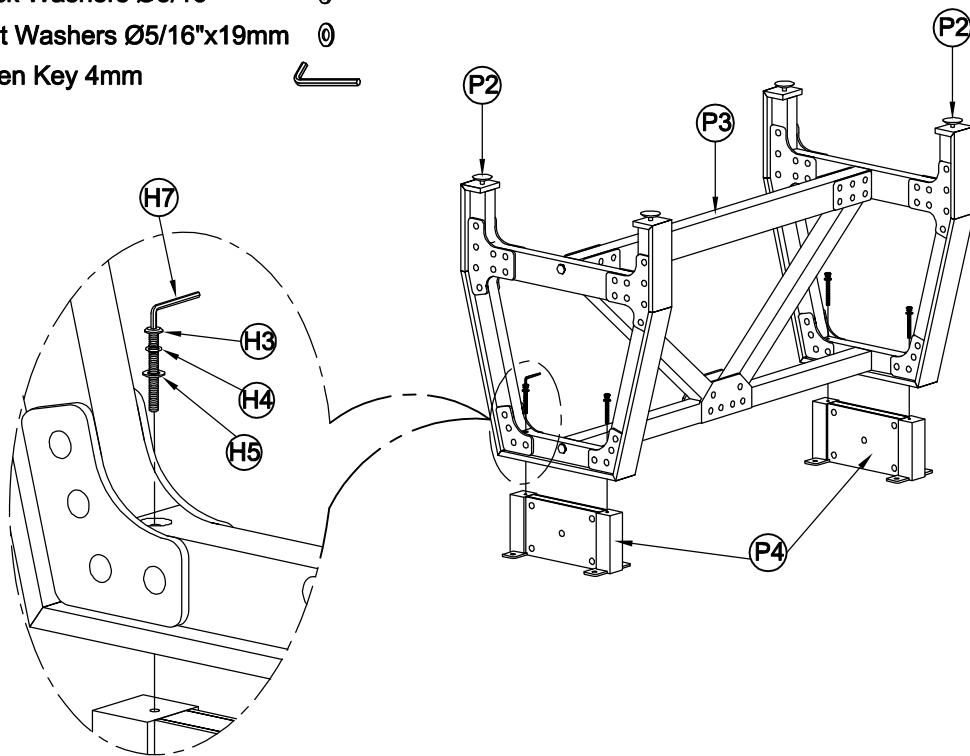
- (H3)x4 Bolts Ø5/16" x 85mm 
- (H4)x4 Lock Washers Ø5/16" 
- (H5)x4 Flat Washers Ø5/16" x 19mm 
- (H7)x1 Allen Key 4mm 






**\* Please follow step 3,4 for Gathering Table Assembly.**

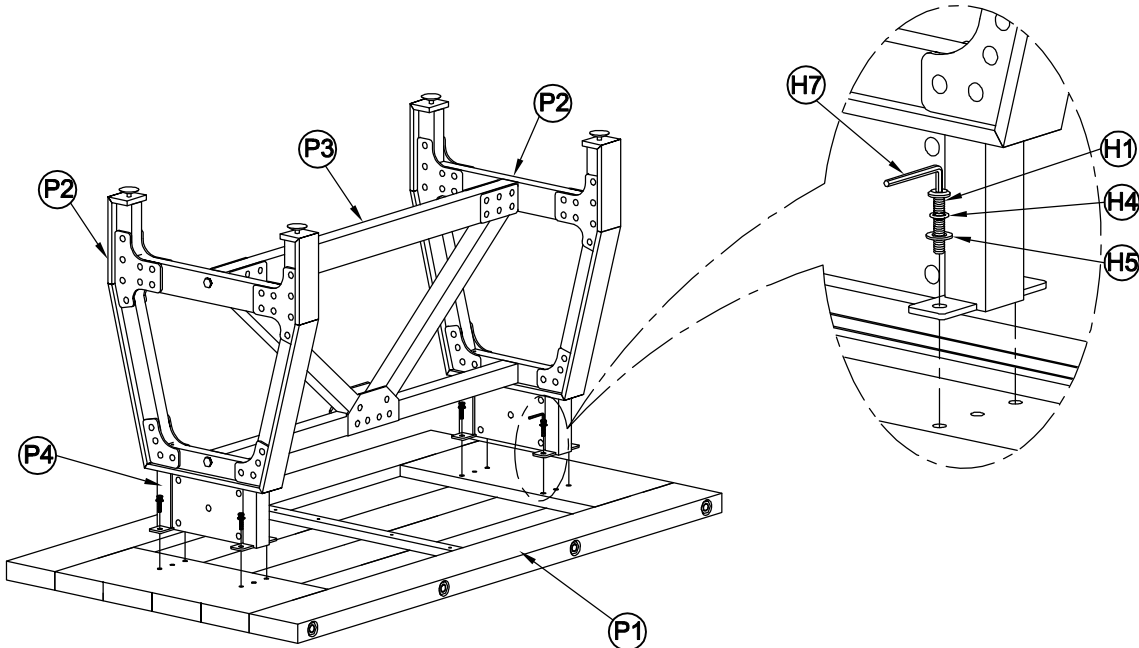
**Step 3: Attach the assembly leg frame in step 1 to the Gathering Connector (P4) as shown below for gathering table.**

- (H3)x4 Bolts Ø5/16"x85mm 
- (H4)x4 Lock Washers Ø5/16" 
- (H5)x4 Flat Washers Ø5/16"x19mm 
- (H7)x1 Allen Key 4mm 

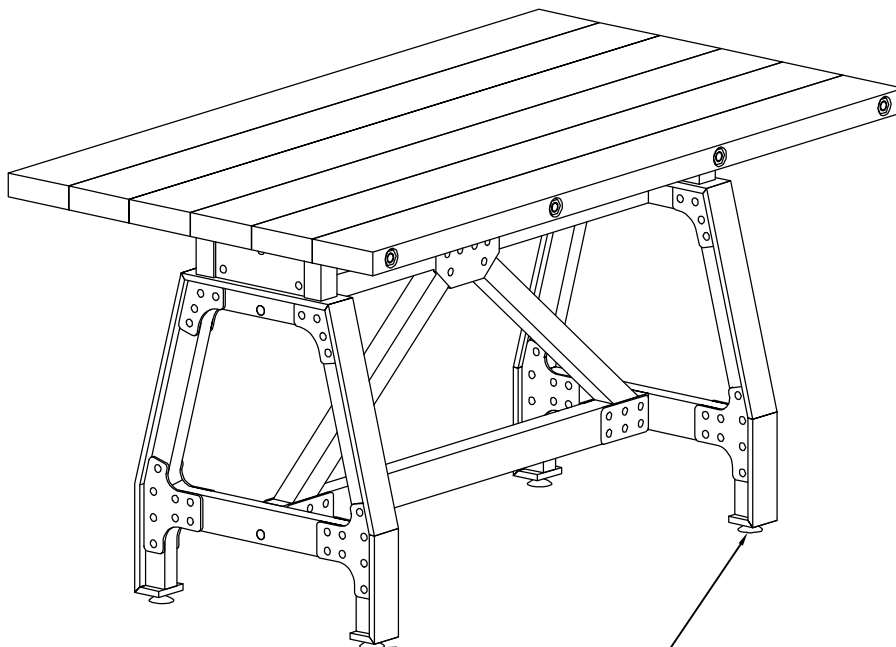


Step 4: Attach the assembly leg frame in step 3 to table top (P1) as shown below for gathering table.

- (H1)x8 Bolts Ø5/16"x30mm 
- (H4)x8 Lock Washers Ø5/16" 
- (H5)x8 Flat Washers Ø5/16"x19mm 
- (H7)x1 Allen Key 4mm 



Step 5: Turn the assembled table to an upright position. Assembly is completed.



Note: Legs Can be Adjusted With Adjustable Levelers

**ADDITIONAL NOTE ABOUT SAFETY: BOLTS MAY LOOSEN DURING NORMAL EVERYDAY USE. THEY SHOULD BE PERIODICALLY INSPECTED AND RE-TIGHTENED TO PREVENT DAMAGE OR INJURY. ALWAYS CHECK TO ENSURE THAT ALL HARDWARE IS KEPT TIGHTENED.**

Thank you for your purchase