


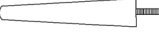


Important safety instructions:

- Please read carefully all instructions before assembling.
- For your safety and ease,assembly by two or more adults is recommended.
- Keep instructions for future use.

Pre-assembly:

- Do not discard any content until assembly is completed to avoid accidentally discarding small parts or hardware.
- Remove all parts and hardware from box along with any protective packaging.

Parts List

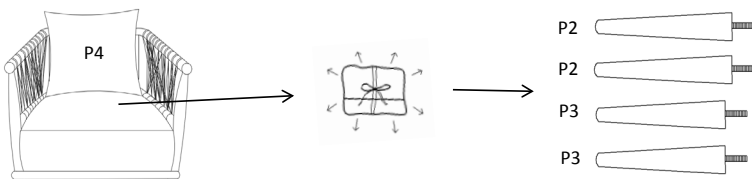
Item	Description	DRAWING	QTY
P1	Chair		1
P2	Front Legs		2
P3	Back Legs		2
P4	Cushion		1

DISCLAIMER:

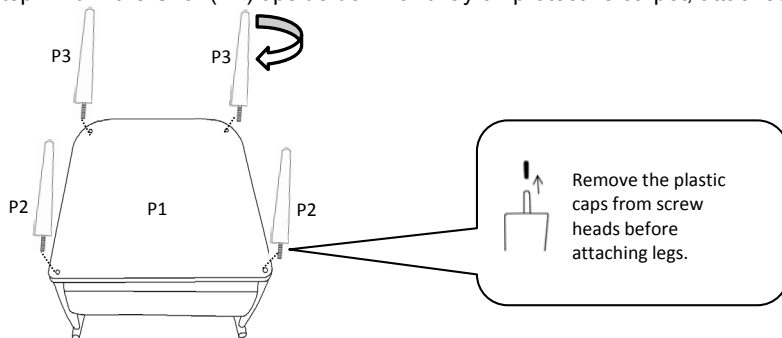
WHEN PROPERLY ASSEMBLED,THIS ITEM IS SAFE FOR INTENDED USE.SELLER IS NOT LIABLE FOR ANY DAMAGES RESULTING FROM ITEM BEING IMPROPERLY ASSEMBLED AFTER PURCHASE.

Assembly Procedures:

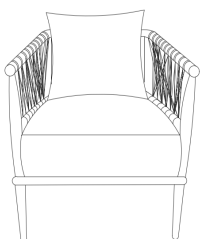
Step 1.**Remove the package of legs from the seat cushion.**



Step 2.Turn the Chair(P1) upside down and lay on protective carpet, attached legs(P2&P3) on Chair(P1), Screw tight.



Step 3.Place chair upright on a level surface. Assembly is complete.



ADDITIONAL NOTE ABOUT SAFETY: BOLTS MAY LOOSEN DURING NORMAL EVERYDAY USE. THEY SHOULD BE PERIODICALLY INSPECTED AND RE-TIGHTENED TO PREVENT DAMAGE OR INJURY.ALWAYS CHECK TO ENSURE THAT ALL HARDWARE IS KEPT TIGHTENED.