

ASSEMBLY INSTRUCTIONS

Description: Avila Counter Stool



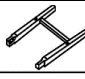


Important safety instructions :

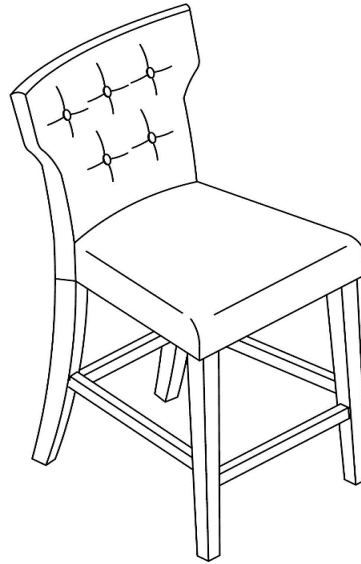
- Please read carefully all instructions before assembly.
- For your safety and ease, assembly by two or more adults is recommended.
- Keep instructions for future use.

Pre-assembly:





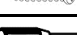

- Do not discard any contents until assembly is complete to avoid accidentally discarding small parts or hardware.
- Remove all parts and hardware from box along with any plastic protective packaging.

Parts List

Item	Description		QTY
P1	RIGHT SIDE FOOTREST		1
P2	LEFT SIDE FOOTREST		1
P3	FRONT LEG FRAME		1
P4	BACK LEG FRAME		1
P5	CUSHION SEAT		1



Hardware List

Item	Description		QTY
H1	Bolts \varnothing 5/16" x 2"		9
H2	Lock Washers 5/16"		9
H3	Flat Washers 5/16"		9
H4	Allen Wrench 5/16"		1
H5	Wood Screw 8 # X 1-1/2"		4
H6	Screwdriver		**Not Provided

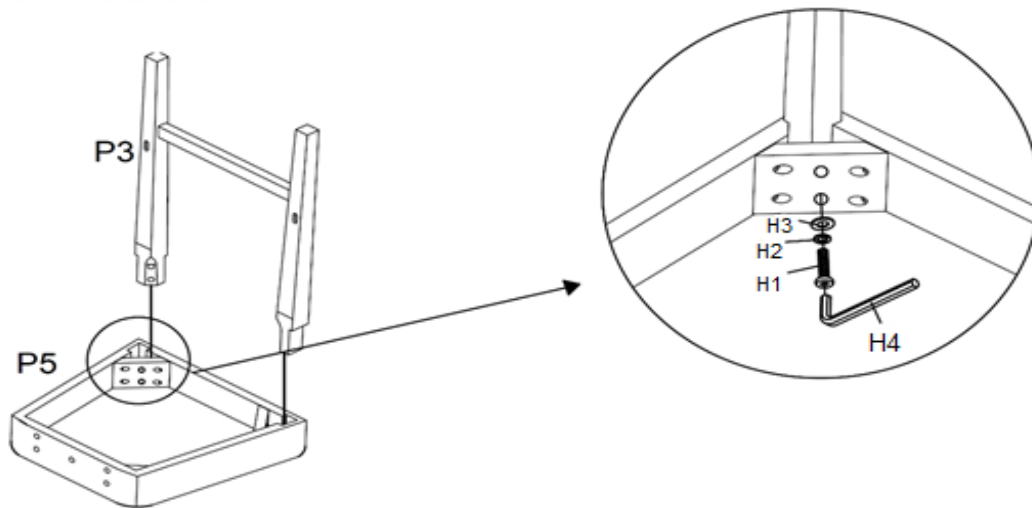
DISCLAIMER :

**WHEN PROPERLY ASSEMBLED, THIS ITEM IS SAFE FOR INTENDED USE.
SELLER IS NOT LIABLE FOR ANY DAMAGES RESULTING FROM ITEM BEING IMPROPERLY ASSEMBLED AFTER PURCHASE.**

Assembly Procedures:

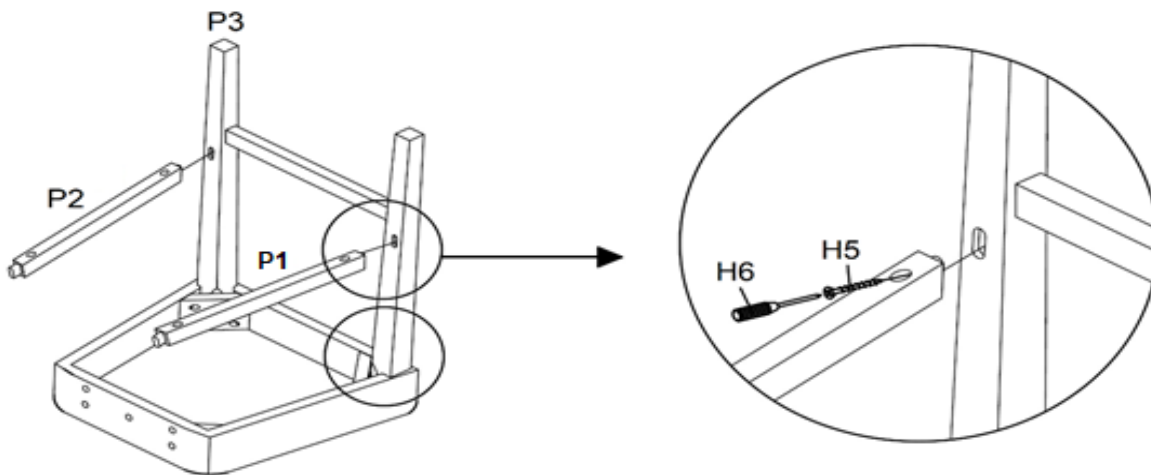
Step 1.

Attach Front Leg Frame (P3) to the Seat Frame (P5), secure Front Leg Frame (P3) to the Seat Frame (P5) using Bolt (H1), Allen Wrench (H4) with Lock Washer (H2) and Flat Washer (H3) as shown in the illustration below, do not fully tighten at this step .



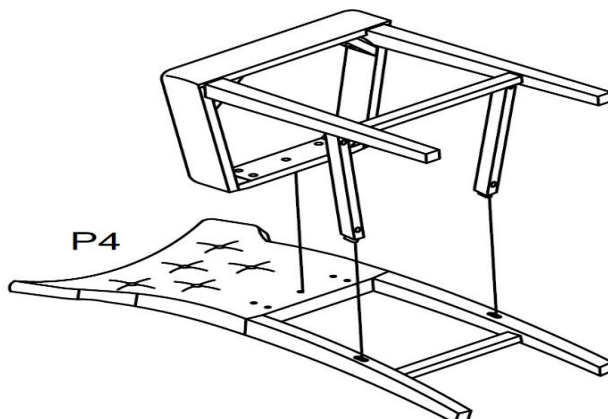
Step 2:

Attach Right Side Footrest (P1) and Left Side Footrest (P2) TO THE Front Leg Frame (P3), secure both Footrest (P1, P2) to the Front Leg Frame (P3) using Screwdriver(H6) and Wood Screw (H5) as shown in the illustration below, do not fully tighten at this step .



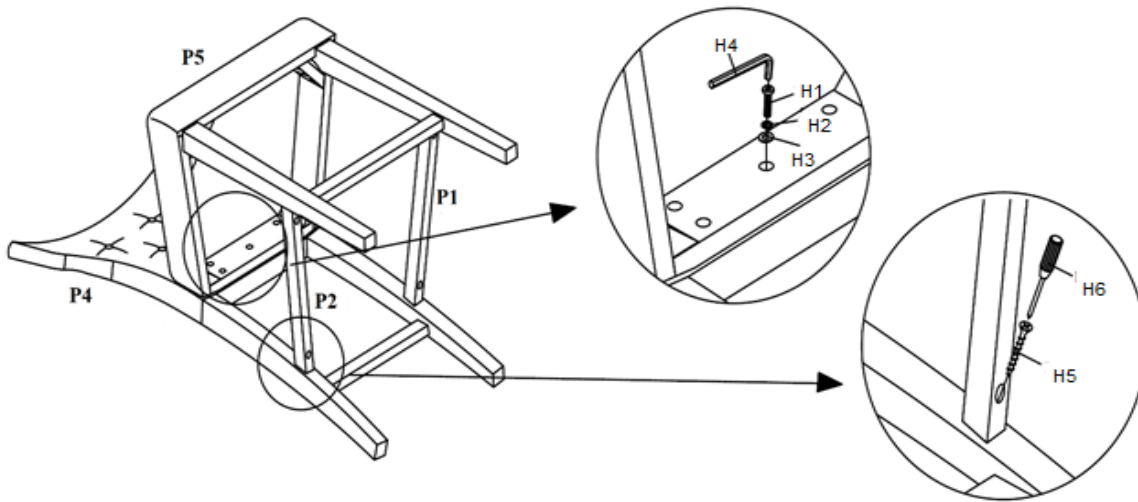
Step 3 :

Attach Step - 2 assembled part to the Back Leg Frame (P4) as shown below :



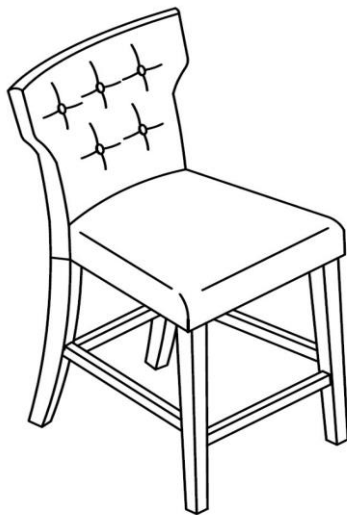
Step 4:

Attach Cushion Seat (P5), Left and Right side Footrests (P1 & P2) to the Back Leg Frame (P4) using Allen Wrench (H4) with Bolt (H1), Lock Washer (H2), Flat Washer (H3) to secure the Cushion Seat and Screwdriver (H6) with Wood Screw (H5) to ensure the Left and Right Footrest (P1 & P2) as shown below :



Step 5 :

Fully tighten all the bolts and screws with Allen Wrench (H4) and Screwdriver (H6) before turning the chair over and place it upright on a level surface. Assembly is completed .



ADDITIONAL NOTE ABOUT SAFETY : BOLTS MAY LOOSEN DURING NORMAL EVERYDAY USE. THEY SHOULD BE PERIODICALLY INSPECTED AND RE-TIGHTENED TO PREVENT DAMAGE OR INJURY. ALWAYS CHECK TO ENSURE THAT ALL HARDWARE IS KEPT TIGHTENED .

THANK YOU FOR YOUR PURCHASE